

# **Glass canopy - FARAH**

Art. 29.2031.xxx.46

Art. 29.2041.xxx.46

Art. 29.2042.xxx.46

G-Fittings GmbH  
Marie-Curie-Straße 16-18  
46446 Emmerich am Rhein  
Germany

## WHY CHOOSE FARAH – 2031

---

- Anodised aluminium profile
- Designed to withstand 200 kg/m<sup>2</sup>
- With glass up to **100 cm deep**
- It can be installed without length limit

Minimal design and tempered laminated **8+8+1.52 SG glass** with depth from 60 to 100 cm. Ideal projection for house entrances, windows, shops, balconies, etc., to **protect from rain or to be used as sunshades** (opaque interlayer or colored glass).

In order to carefully comply with the safety regulations, it is recommended to always use glass with rigid SG interlayer (SentryGlas® or similar).

Assembly and inspection only from below and it can be installed **without length limit**.

## WHY CHOOSE FARAH – 2041 / 2042

---

- Anodised aluminium profile
- Designed to withstand 200 kg/m<sup>2</sup>
- With glass up to **150 cm deep**
- It can be installed without length limit

Designed for tempered laminated **10+10+1.52 SG (FARAH – 2041) or 12+12+1.52 SG (FARAH – 2042)** glass with depth up to 150 cm. Ideal projection for high house entrances, shops, balconies, etc., to **protect from rain and snow**.

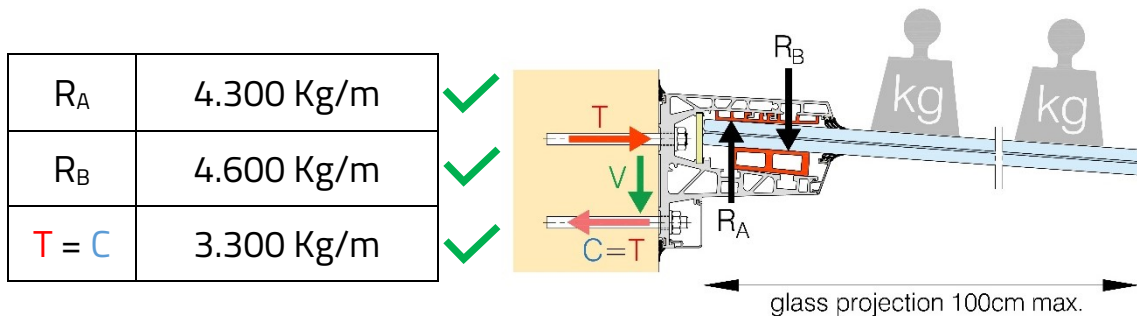
In order to carefully comply with the safety regulations, it is recommended to always use glass with rigid SG interlayer (SentryGlas® or similar).

Assembly and inspection only from below and it can be installed **without length limit**.<sup>(1)</sup>

## GRAVITY LOADS AND WIND PRESSURE

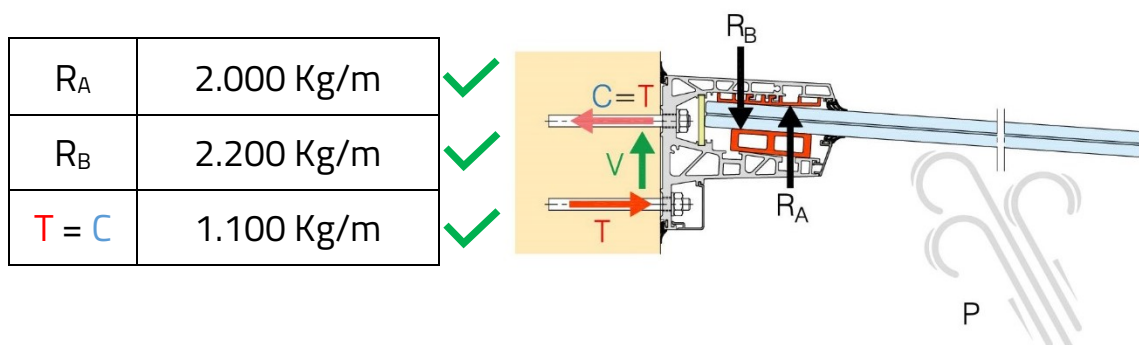
### TRANSMISSION DIAGRAM OF GRAVITY LOADS

**FARAH – 2031** 17,52 glass Tested load: **200kg/m<sup>2</sup>**  
(tested up to 300kg/m<sup>2</sup> - in-house testing)



### TRANSMISSION DIAGRAM OF WIND PRESSURE

**FARAH – 2031** Tested load: **150kg/m<sup>2</sup>**

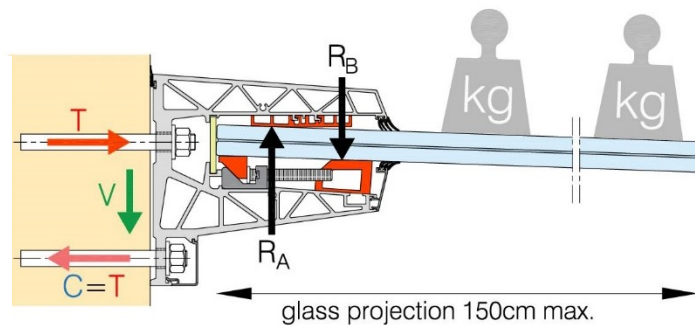


## TRANSMISSION DIAGRAM OF GRAVITY LOADS

**FARAH – 2041** 21,52 glass    Tested load: **200kg/m<sup>2</sup>**  
(tested up to 300kg/m<sup>2</sup> - in-house testing)

**FARAH – 2042** 25,52 glass    Tested load: **200kg/m<sup>2</sup>**  
(tested up to 450kg/m<sup>2</sup> - in-house testing)

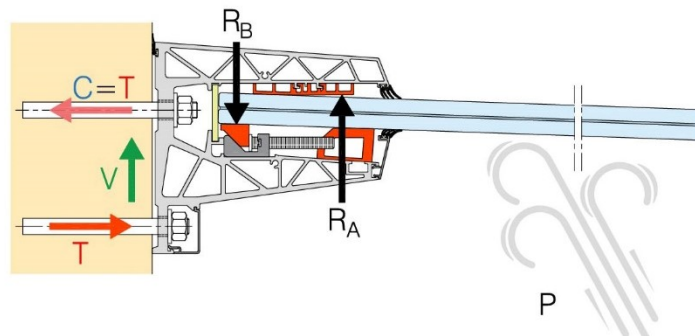
$R_A$	13.900 Kg/m	✓
$R_B$	14.600 Kg/m	✓
$T = C$	7.000 Kg/m	✓



## TRANSMISSION DIAGRAM OF WIND PRESSURE

**FARAH – 2041/2042**    Tested load: **150kg/m<sup>2</sup>**

$R_A$	2.600 Kg/m	✓
$R_B$	2.900 Kg/m	✓
$T = C$	1.800 Kg/m	✓



$R_A$	Reaction on the upper part of the profile.
$R_B$	Reaction on the lower part of the profile.
$T$	Total action of traction on tense fixings.
$C$	Compression action on the support, balancing the traction.
$V$	Cutting action on fixings.

## WALL ANCHORING

When choosing the fixing anchors, it is essential to check the wall for suitability. If necessary, with a structural engineer.

Fasten the base profile to the wall with statically suitable fixing anchors.

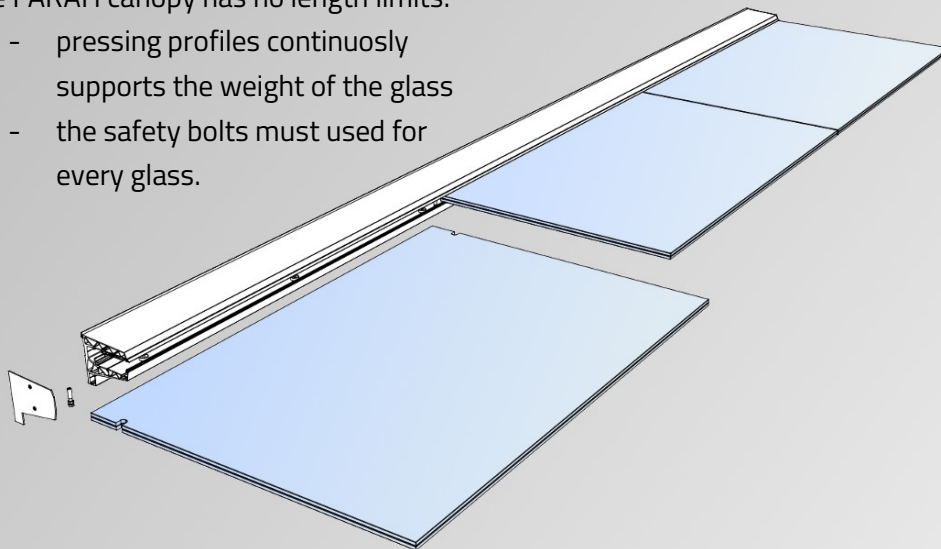
All mounting holes must be used.

The usability of the fixing anchors (screws) must always be checked by the installer and adapted to the condition of the load-bearing structure. We expressly accept no liability for damage resulting from improper installation. Installation should only be carried out by a specialist.

## GLASS PLATE ALIGNMENT

The FARAH canopy has no length limits. <sup>(1)</sup>

- pressing profiles continuously supports the weight of the glass
- the safety bolts must be used for every glass.



<sup>(1)</sup>The longest profile on one stretch is 5 meter.