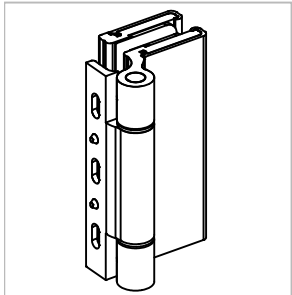


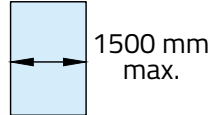
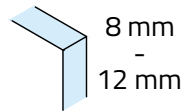
Technische Daten:
 Glastürscharnier - eckig , justierbar - WILMA

Datasheet:
 Glass door hinge - rectangular, adjustable - WILMA

Art. 77452245000-20
 Art. 77452245000-26
 Art. 77452245000-46



Ausführung:
 Options:



Material: Aluminium
 Material: aluminium

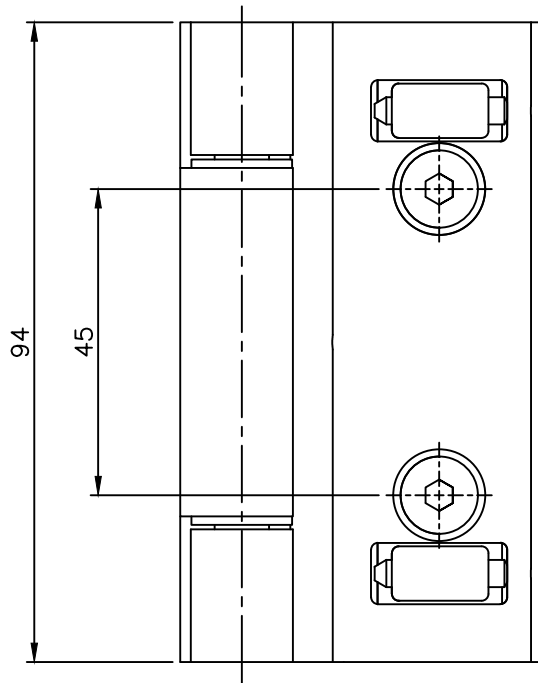
Gewicht: / Weight: 0,23 kg

Oberflächen: Edelstahl-Design
 Finish: Stainless steel design

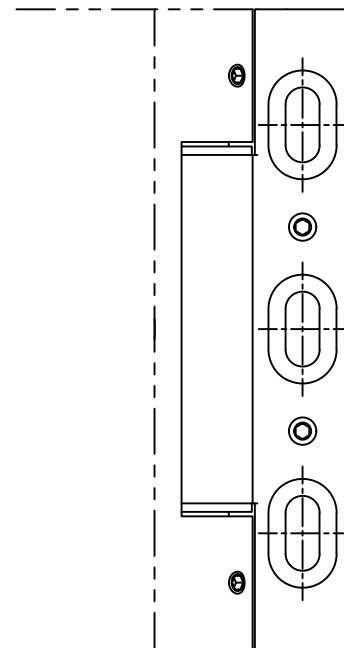
Anthrazit-Design
 Anthracite design

Silber matt eloxiert
 silver matt anodized

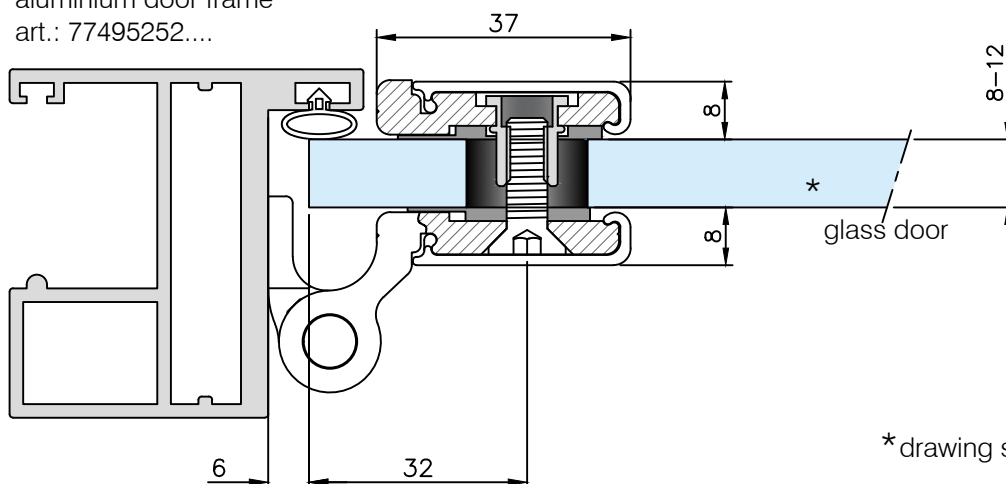
*hinge without cover cap



hinge flap (on frame or wall)



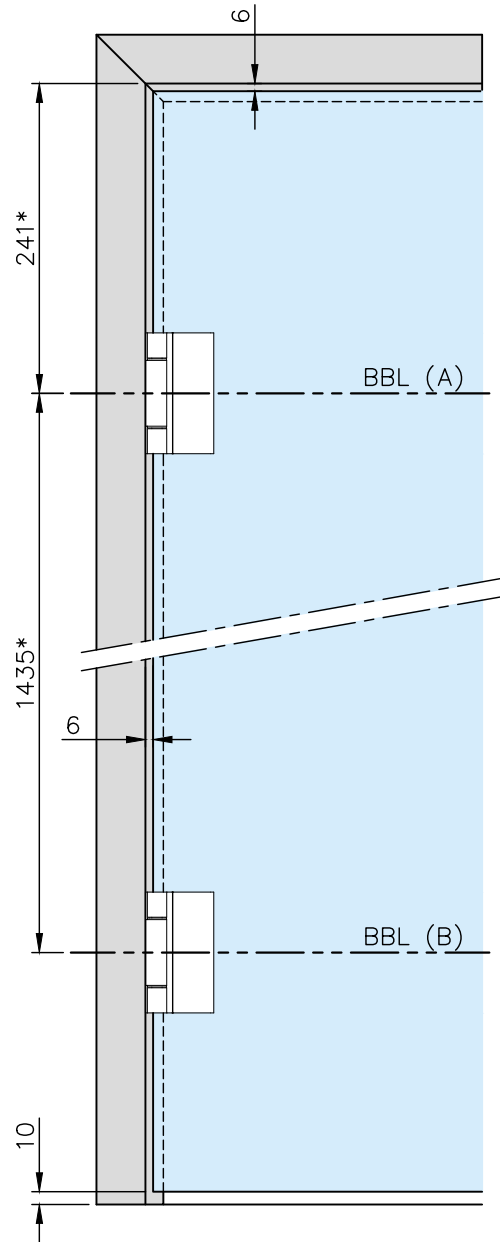
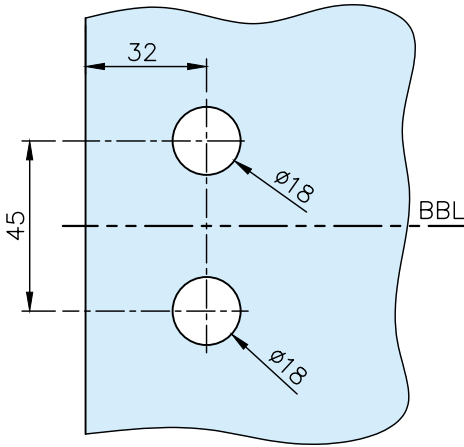
aluminium door frame
 art.: 77495252....



* drawing shows 10 mm glass

Art. 77452245000-20
 Art. 77452245000-26
 Art. 77452245000-46

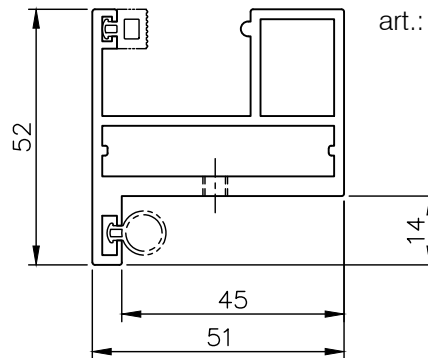
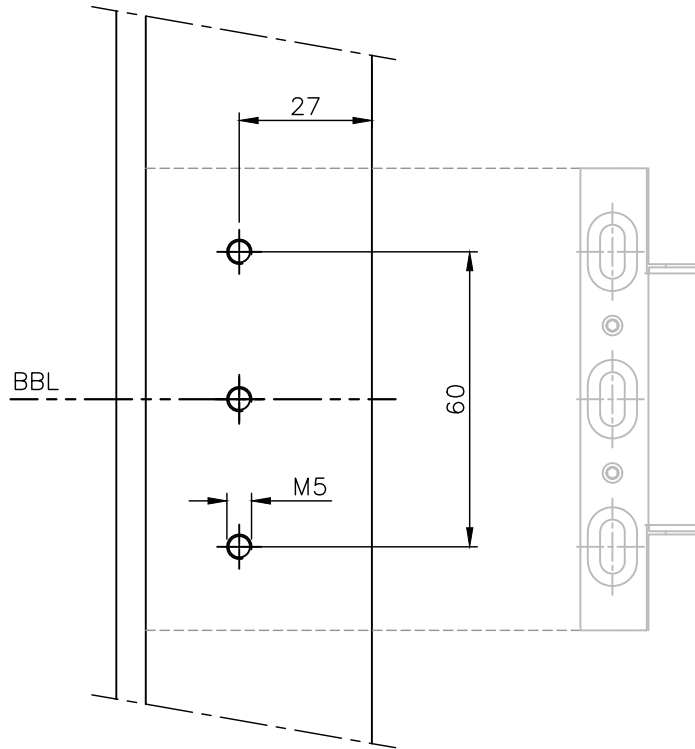
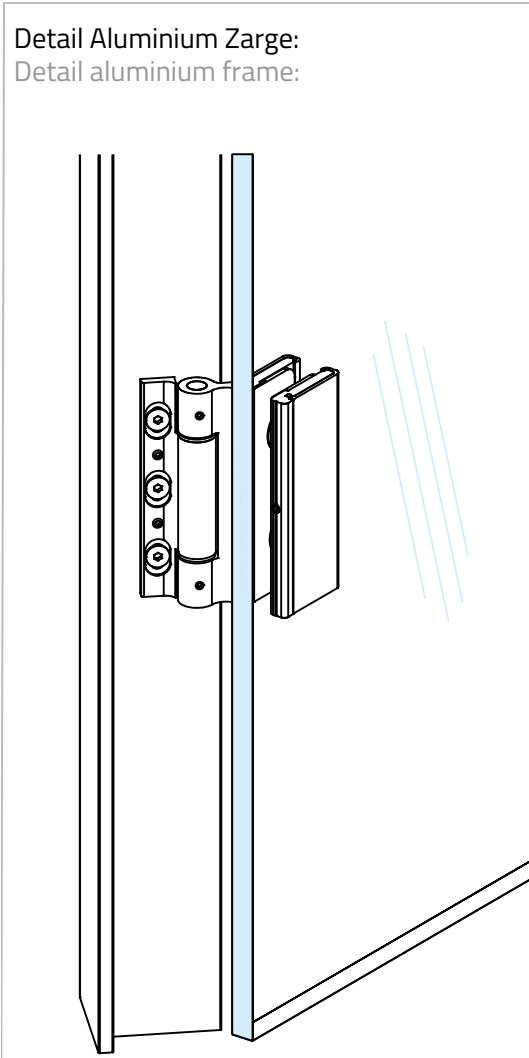
Glasbearbeitung:
 Glass preparation:



Empfehlungsmaße entsprechend *DIN 18268		
<i>Glastürhöhe</i> Glass door height	<i>Abstand</i> Zargenfalz - BBL(A) distance frame rebate - BBL(A)	<i>Abstand</i> BBL(A) - BBL(B) distance BBL(A) - BBL(B)
1860 mm - 2110 mm	241 +1 mm	1435 mm ±0,5 mm
2111 mm - 2235 mm	241 +1 mm	1560 mm ±0,5 mm
2236 mm - 2360 mm	241 +1 mm	1685 mm ±0,5 mm

Art. 77452245000-20
 Art. 77452245000-26
 Art. 77452245000-46

Detail Aluminium Zarge:
 Detail aluminium frame:



aluminium door frame
 art.: 77495252....

G-FITTINGS GmbH

Marie-Curie-Straße 16-18
 46446 Emmerich am Rhein
 T +49 (0)2822 962 0
 E sales@g-fittings.com