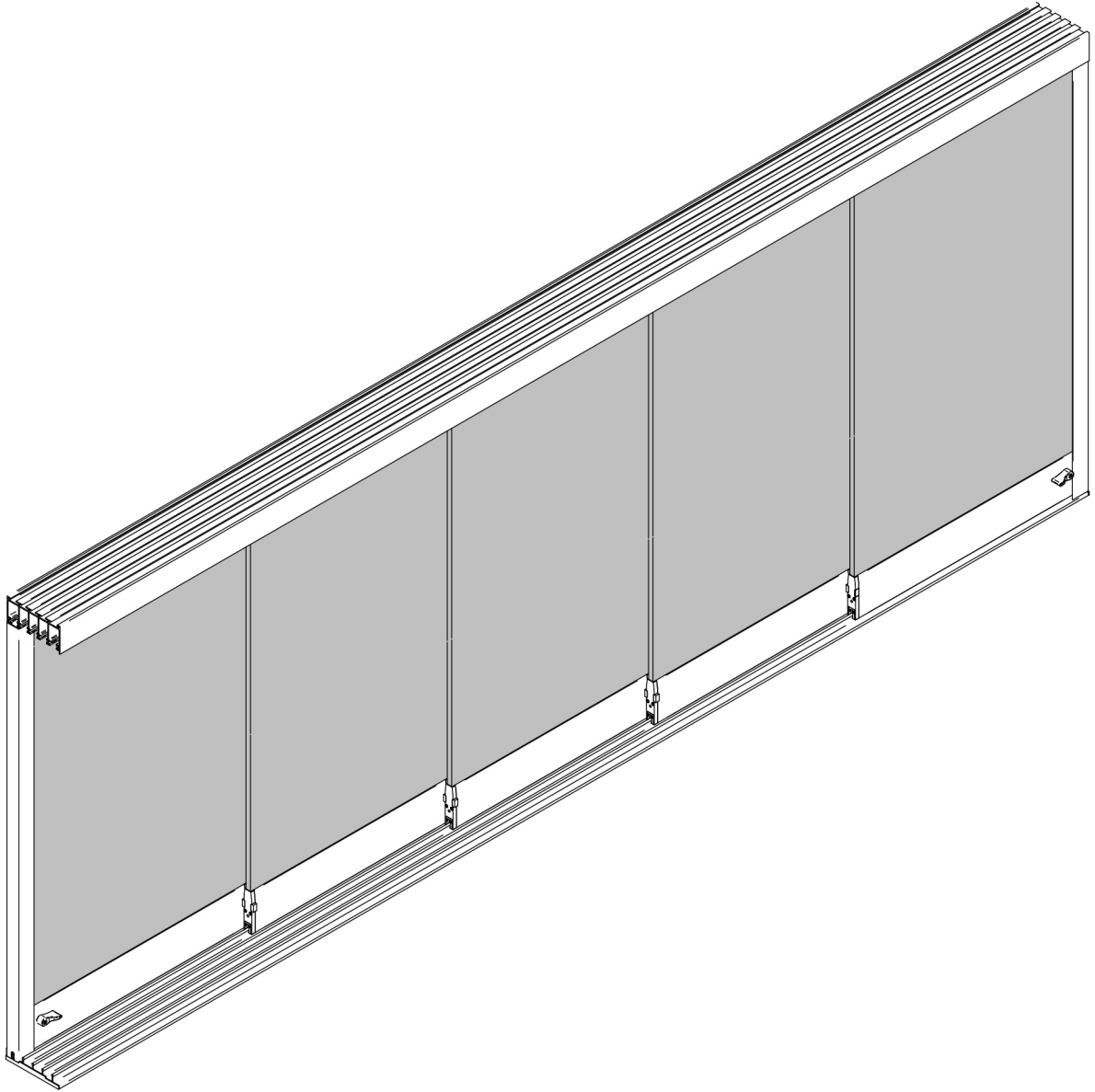


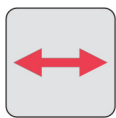
Terrace sliding glass wall - Agape



ASSEMBLY INSTRUCTIONS



MAX
80 KG



MAX
1100



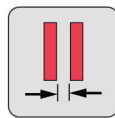
MAX
3000



3-4-5



10 mm



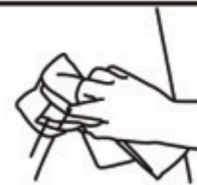
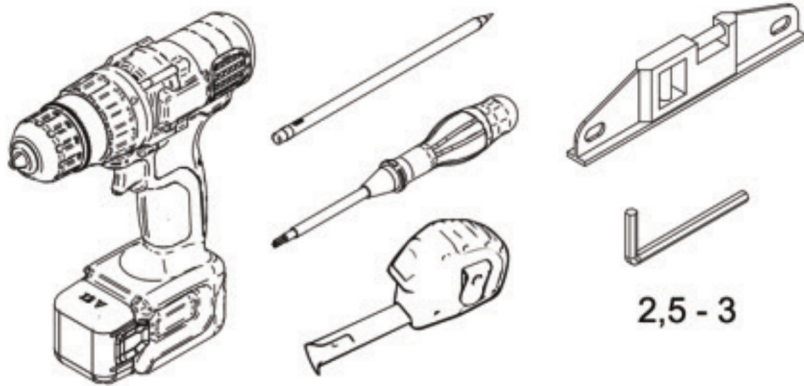
12 mm



± 4 mm



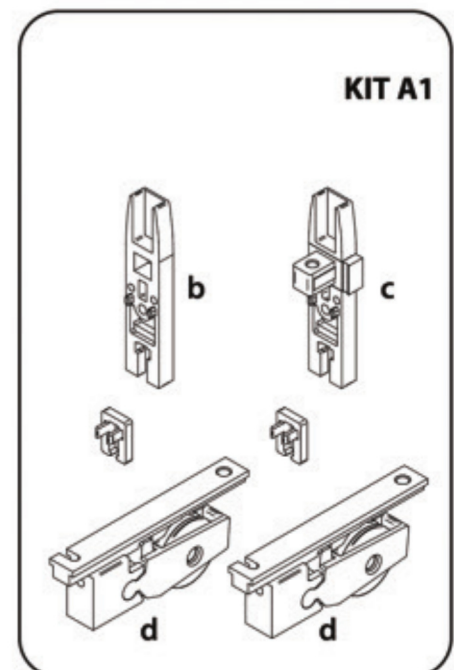
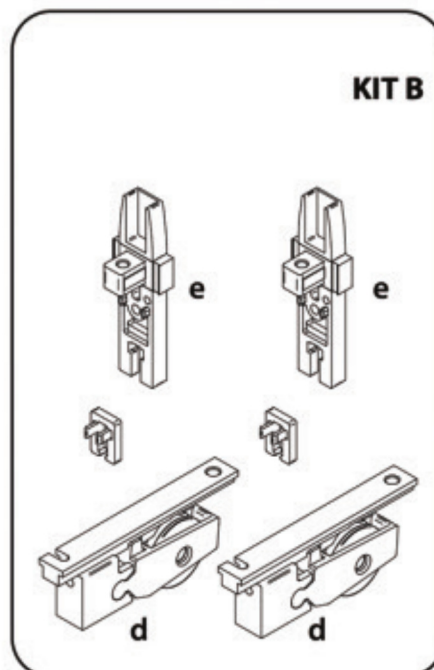
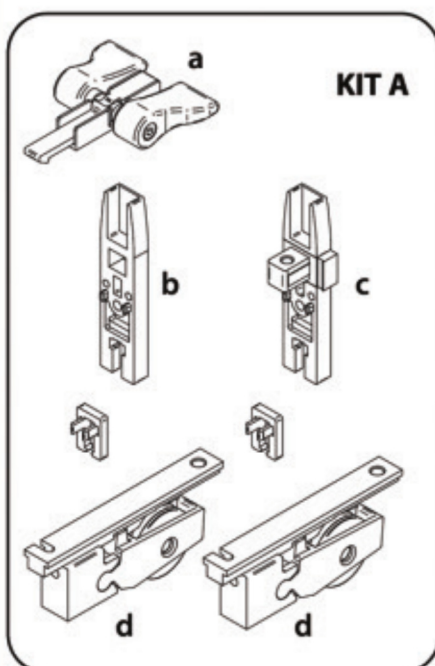
Required tool



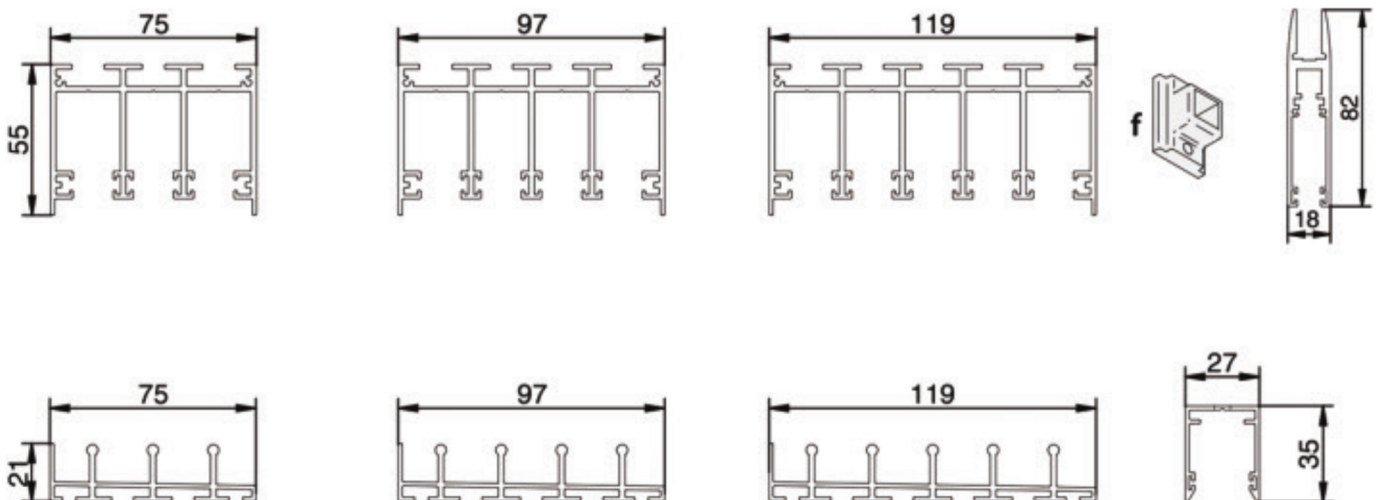
Clean the glass and profile before installing

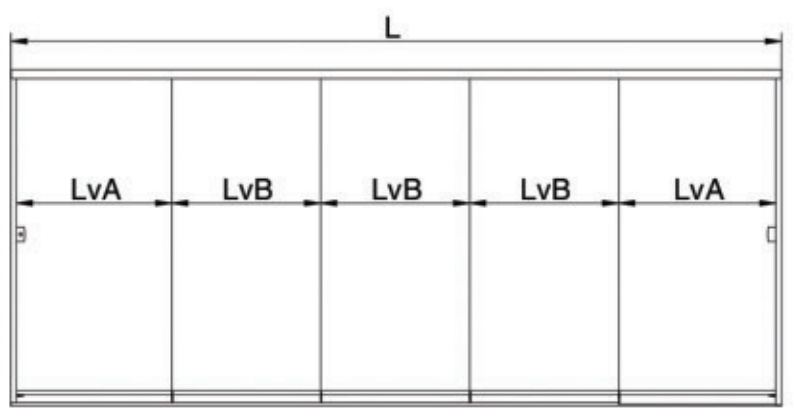
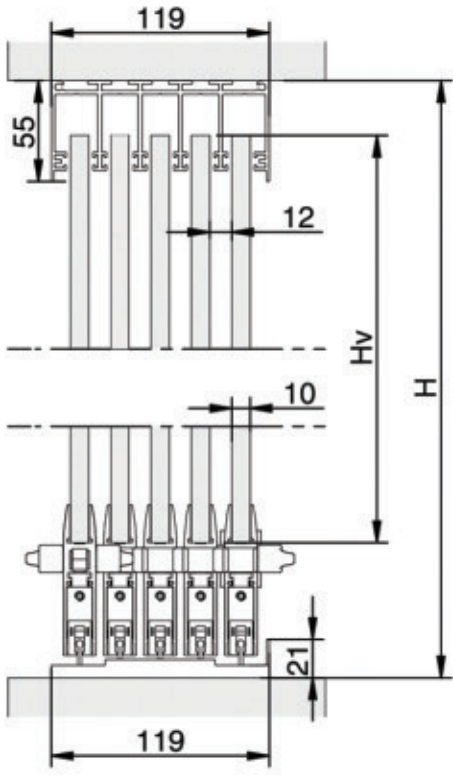
We recommend our
Glass cleaner Hendrika
7791180100000

Components



PROFILES



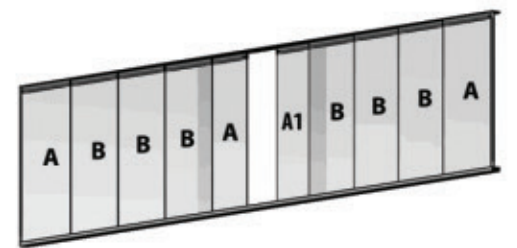


$$LvB = \frac{L - 162}{N} + 13 \quad N = \text{number of panels}$$

$$LvA = LvB + 55$$

$$Hv = H - 104$$

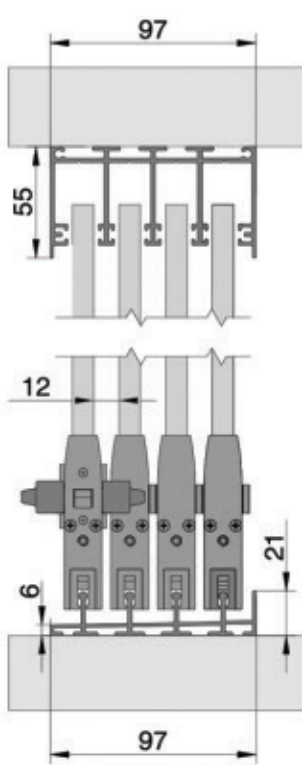
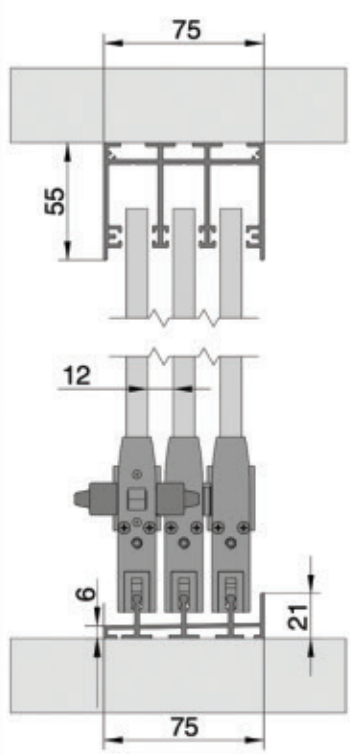
$$LvA = LvA1$$



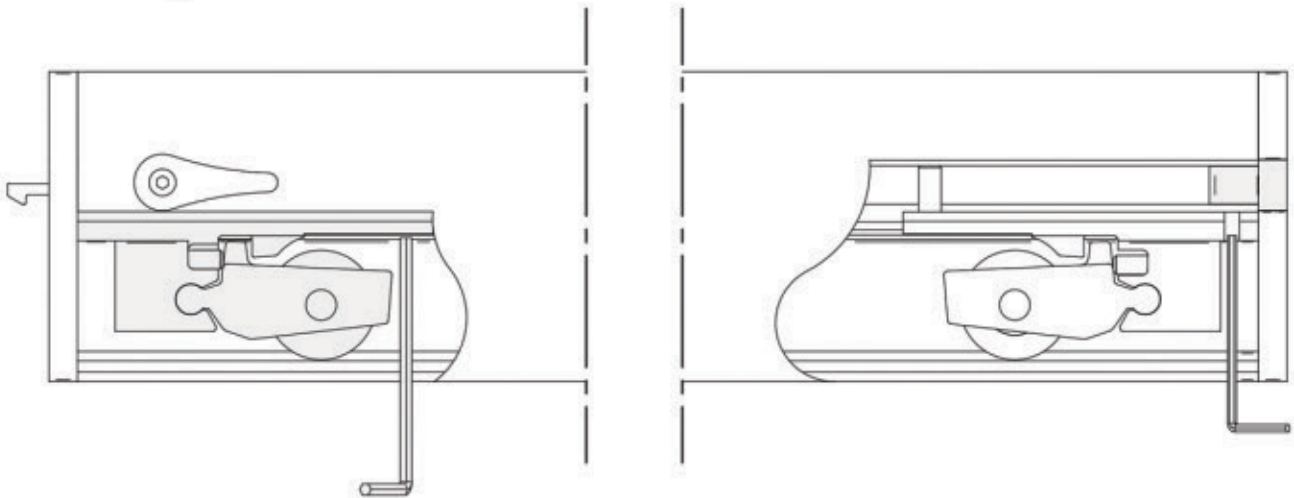
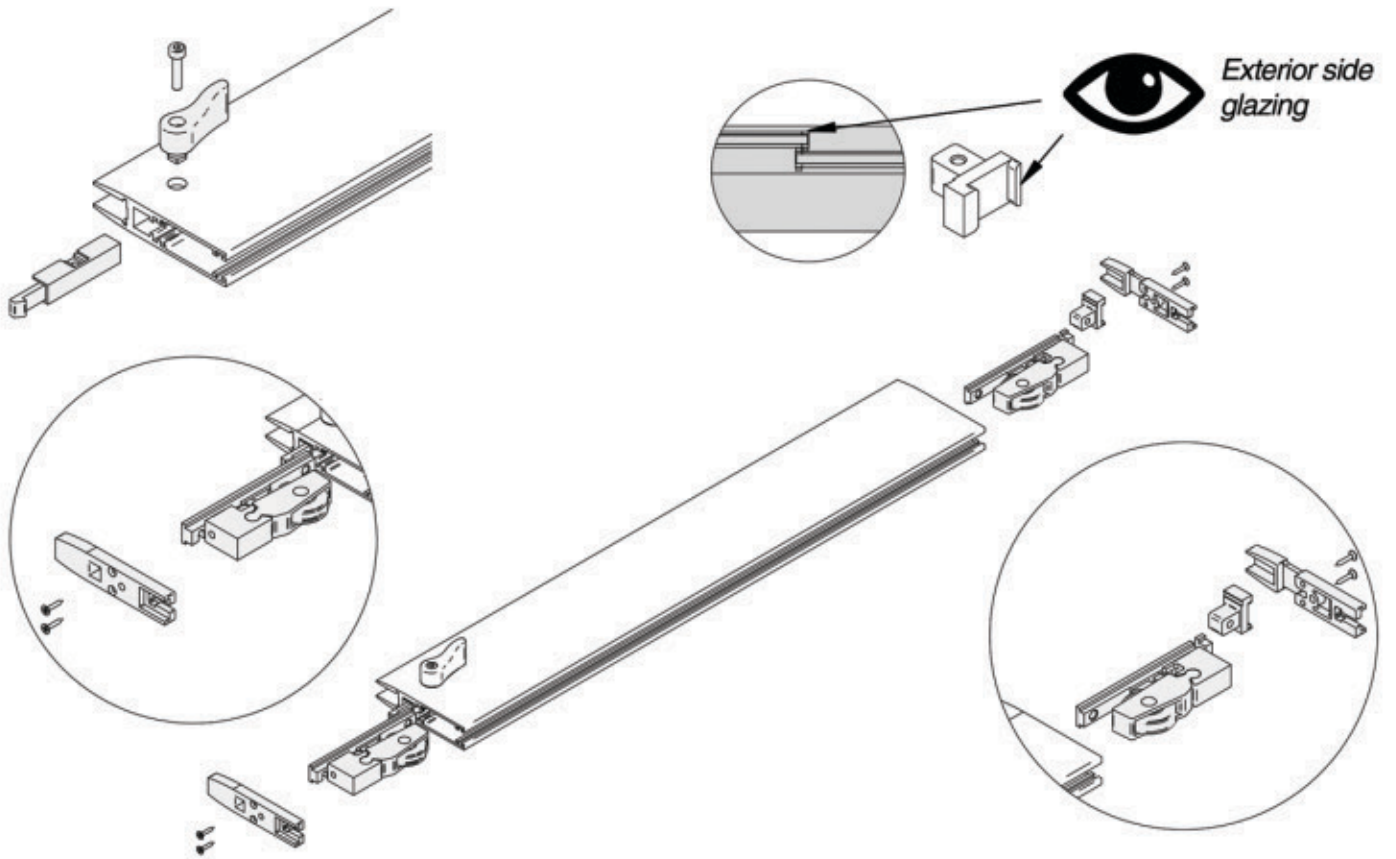
5 Rails

3 Rails

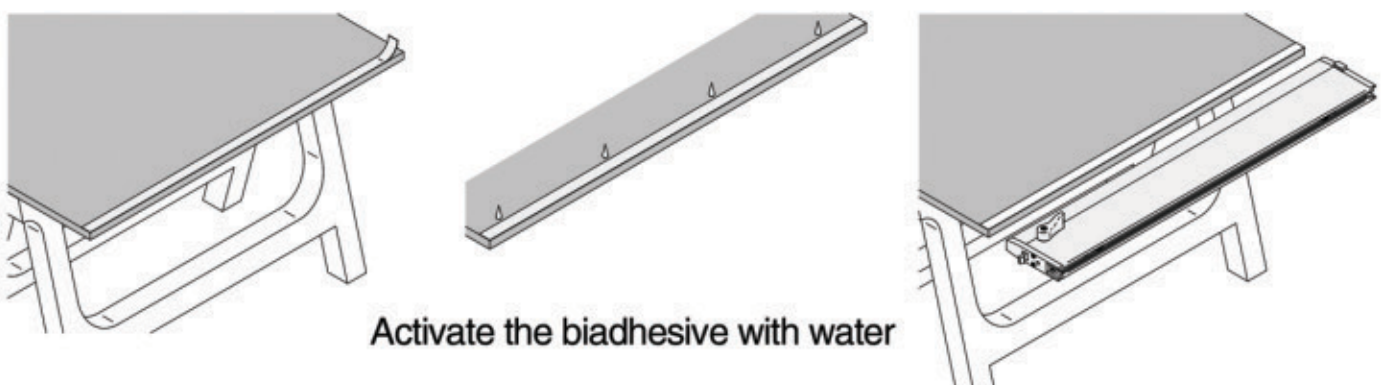
4 Rails



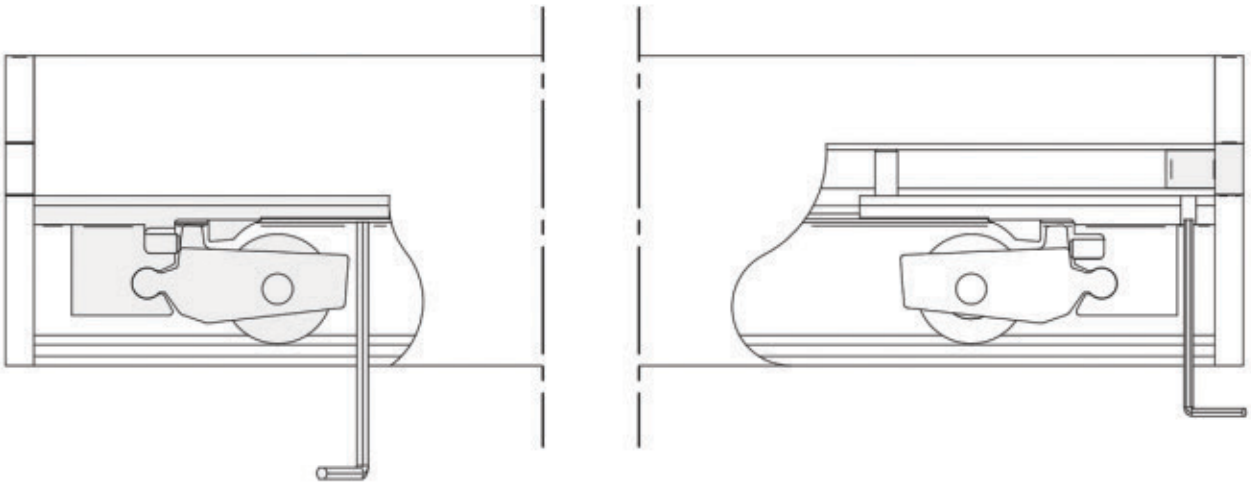
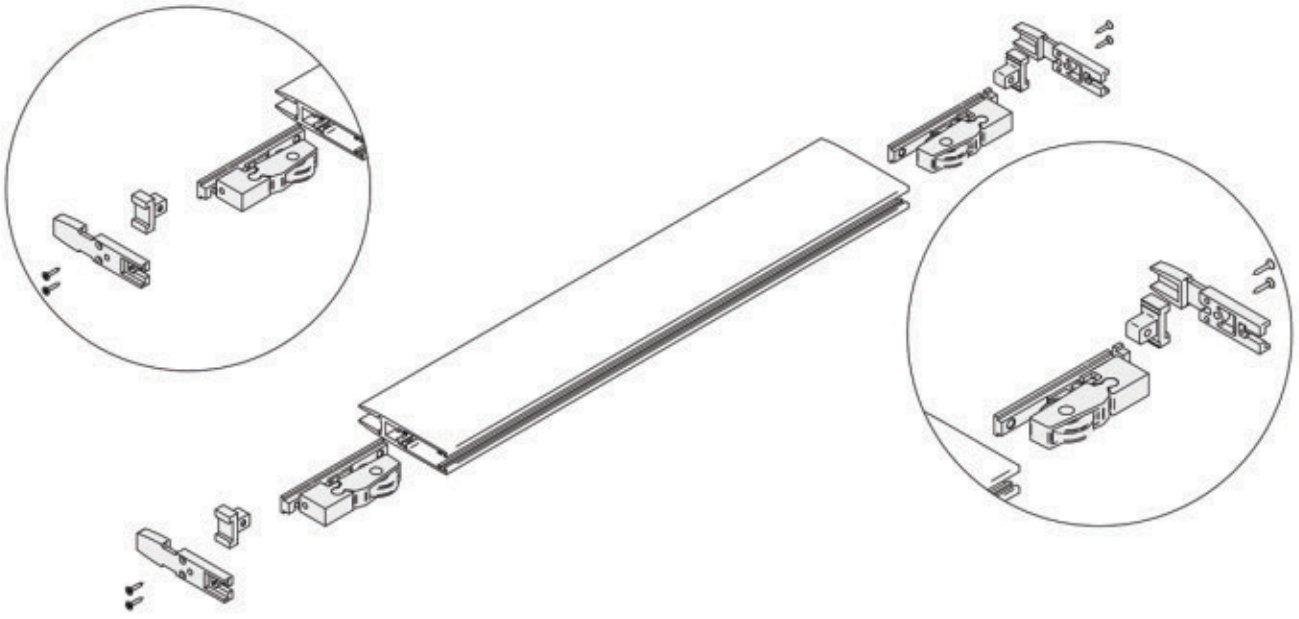
1 Assembly clamps "A" panel



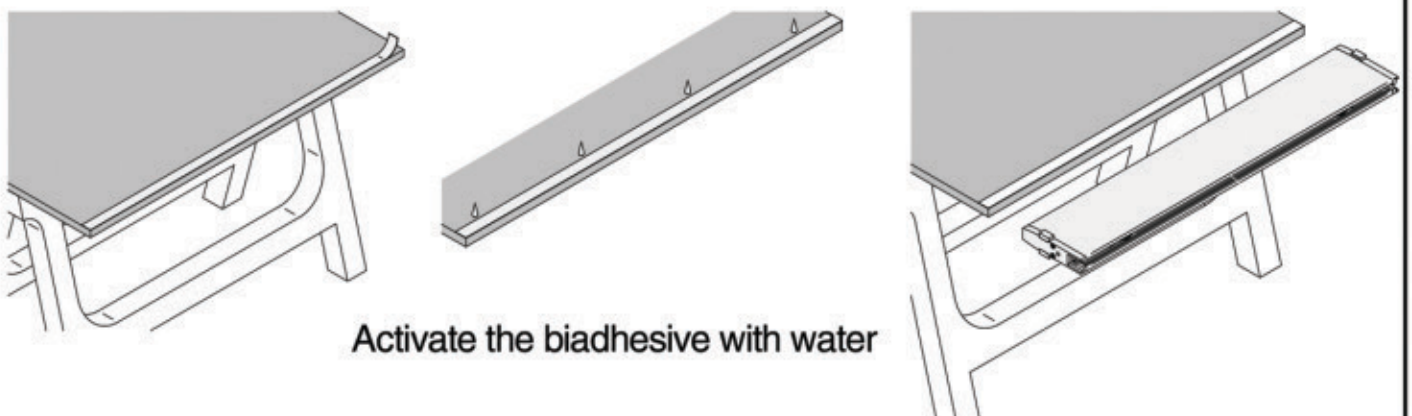
2 Match clamps "A" panel



3 Assembly clamps "B" panel

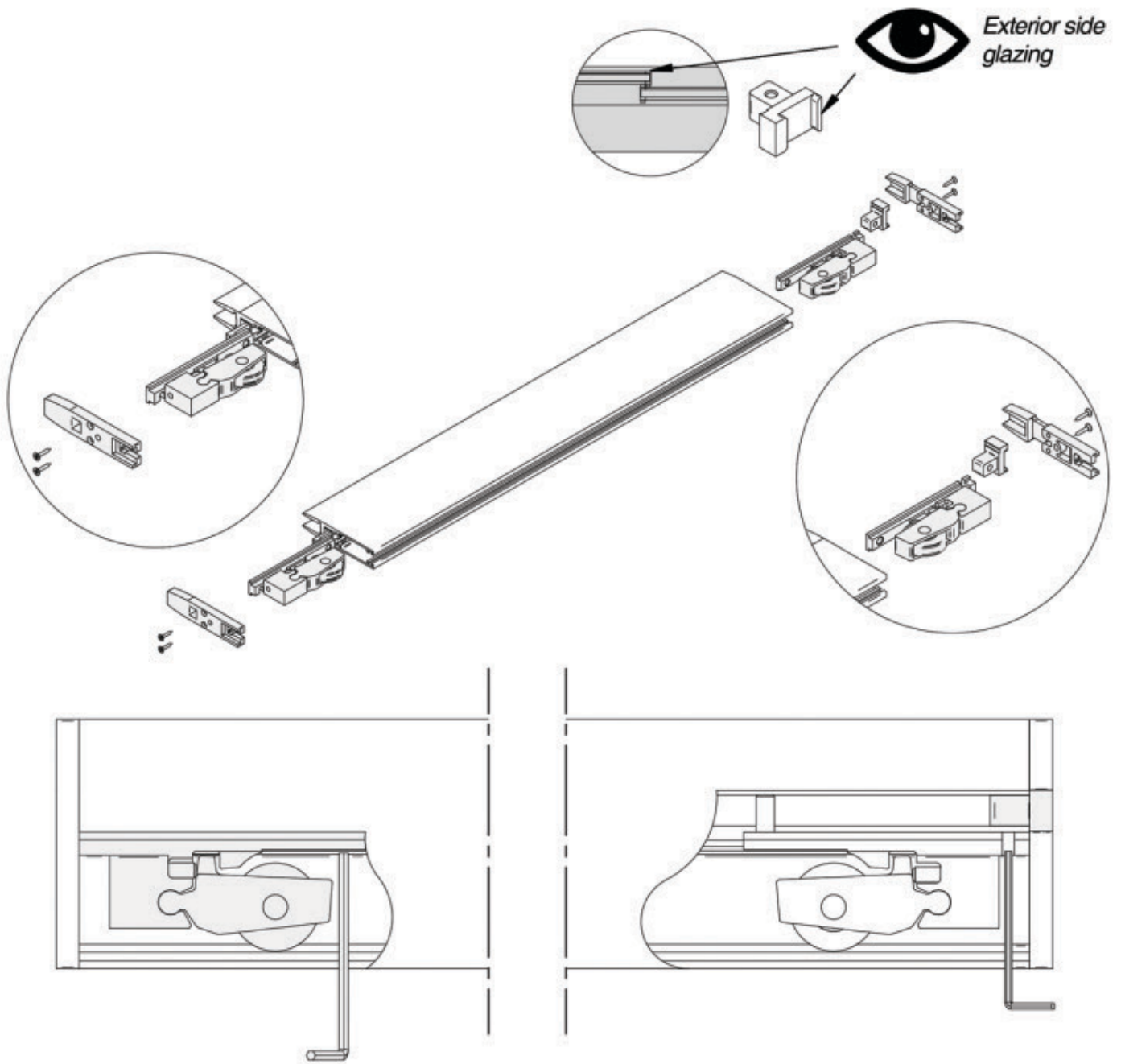


4 Match clamps "B" panel

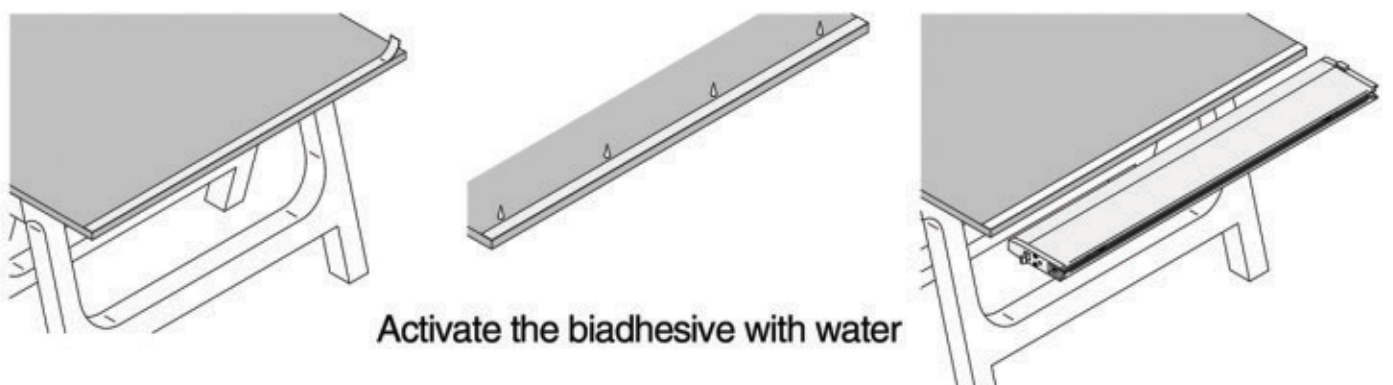


Activate the biadhhesive with water

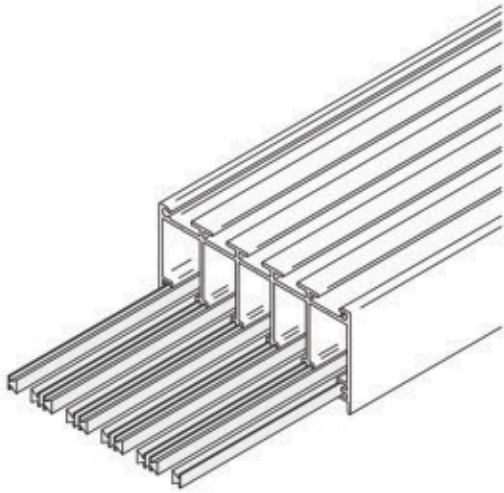
3a Assembly clamps "A1" panel *opposite*



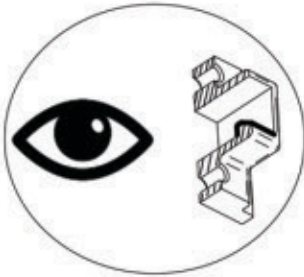
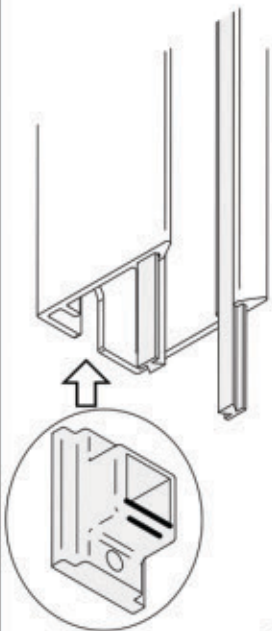
4a Match clamps "A1" panel



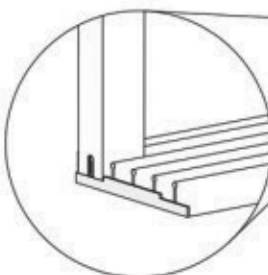
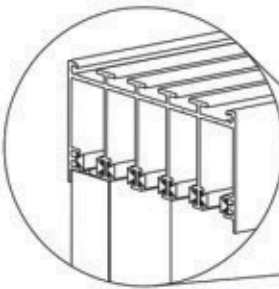
5 Profiles installation



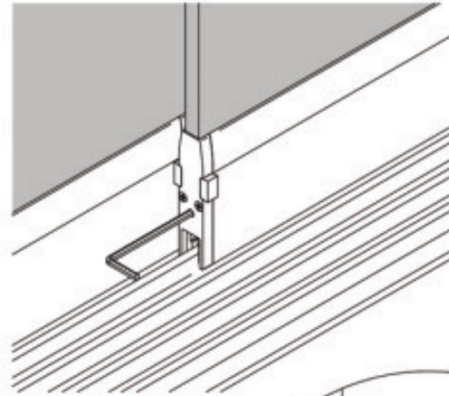
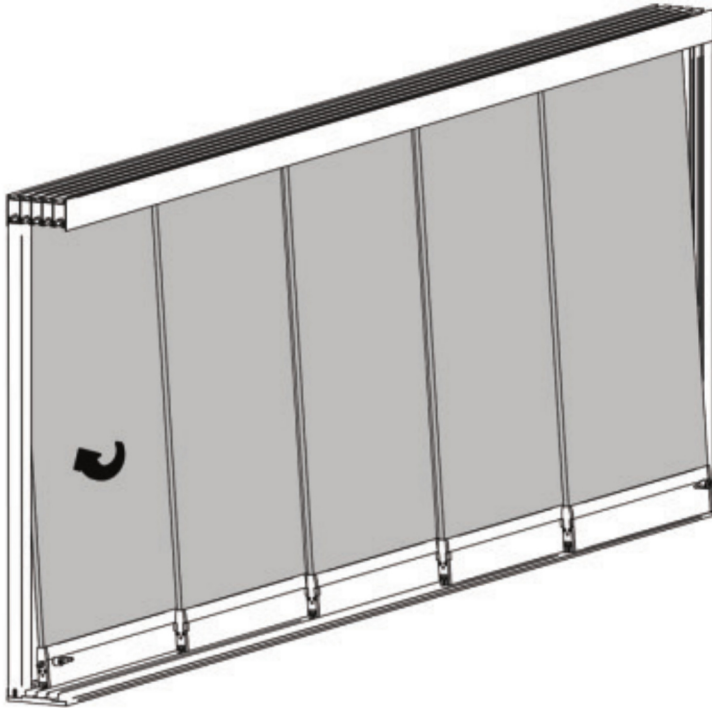
Insert the brushes in the upper profile



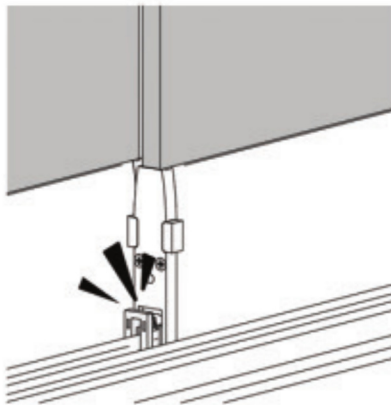
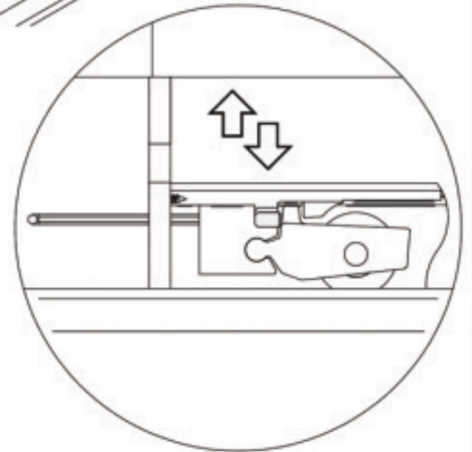
Insert in the side profile the brush and the hook
(verify the right face of the item)



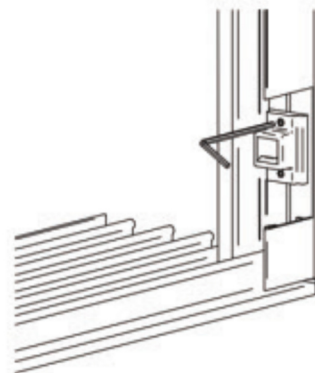
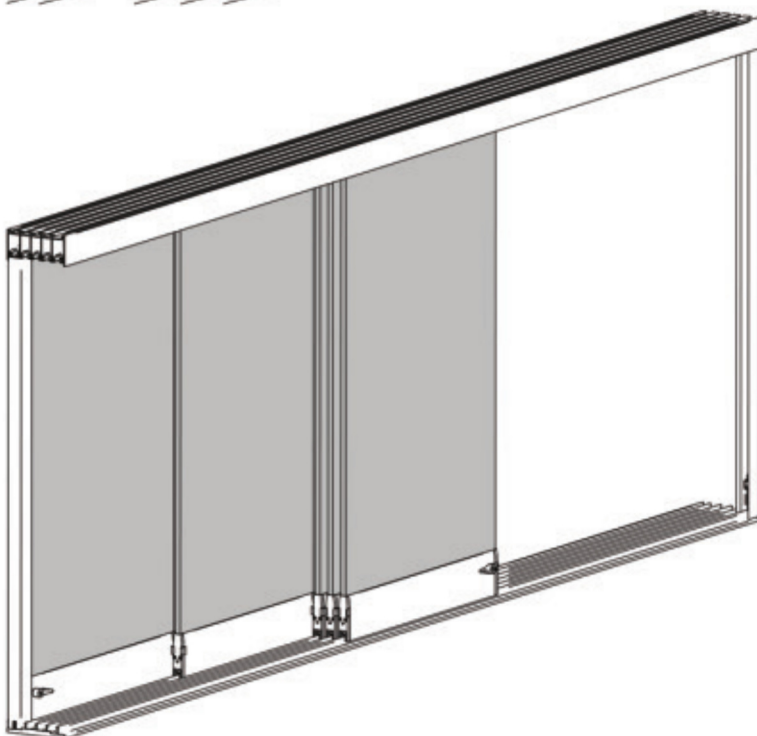
6 Installation and adjustment of the panels



Adjust



Clip the anti-derailment device



Screw

G-FITTINGS GmbH

Marie-Curie-Straße 16-18
46446 Emmerich am Rhein
T +49 (0)2822 962 0
E sales@g-fittings.com