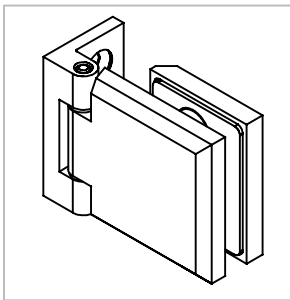


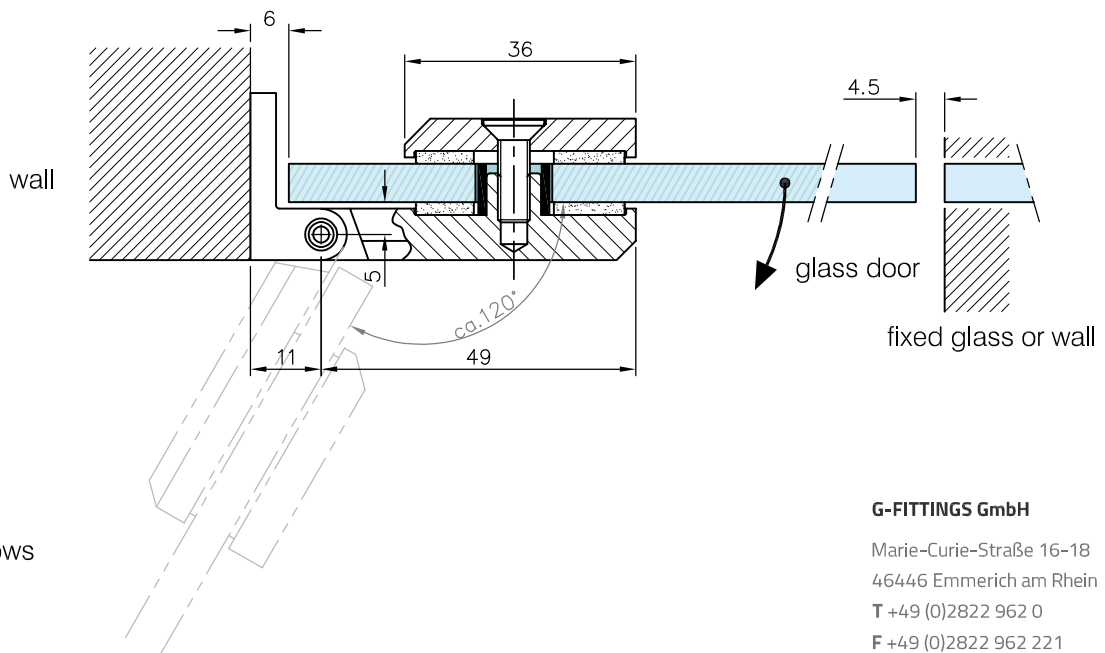
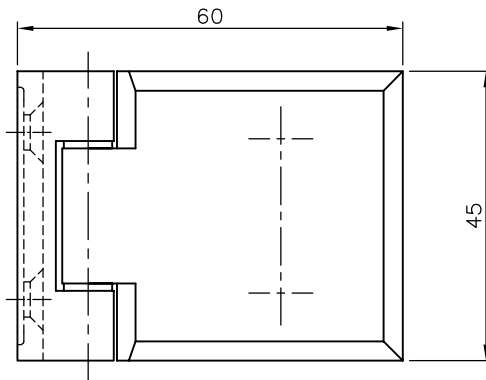
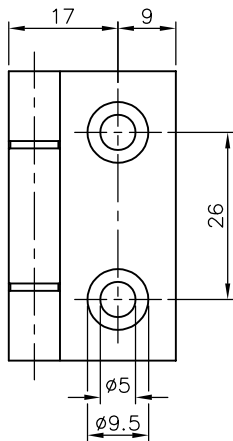
Technische Daten:
Glastürscharnier - Suzanne

Datasheet:
Glass door hinge - Suzanne

Art. 77410306000-10
Art. 77410306000-12
Art. 77410306000-26



Ausführung: Options:	6 mm - 10mm	900 mm max.	45 kg max.	DIN links/left + DIN rechts/right
	Material: Material:	V2A Stainless steel AISI 304		Gewicht: / Weight: 0,253 kg
Oberflächen: Finish:	Edelstahl-Design Stainless steel design	Chrom-Design Chrome design	Anthrazit-Design Anthracite design	



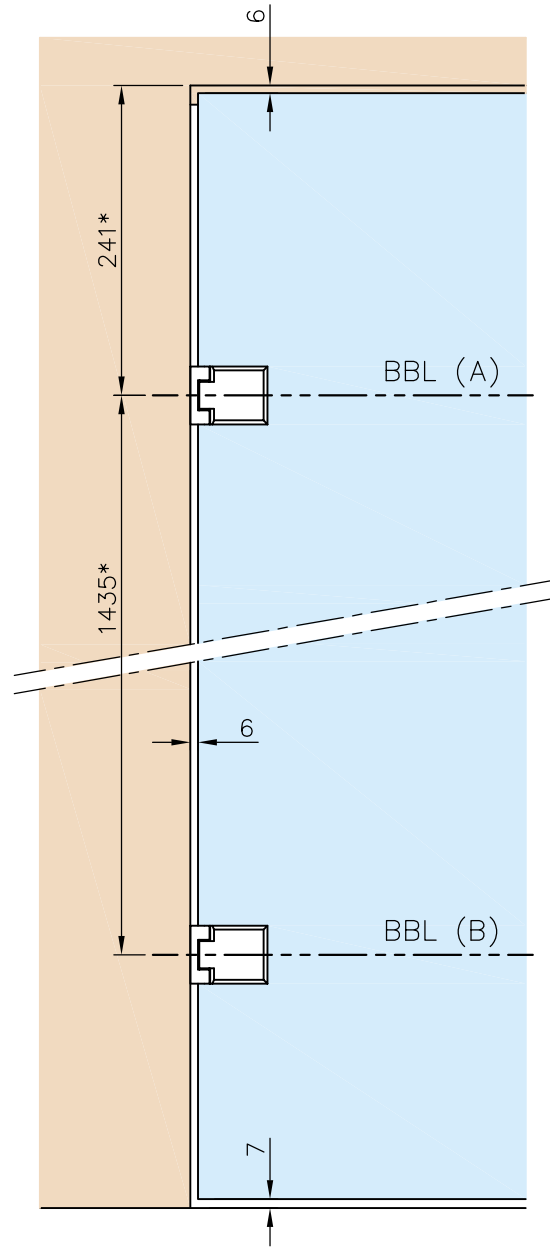
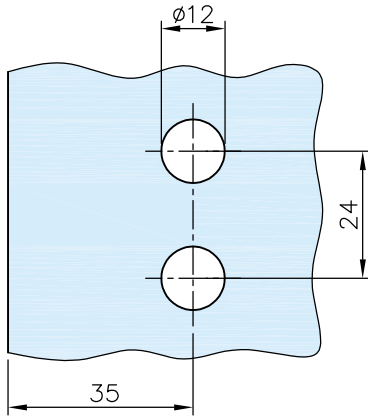
*drawing shows
6mm glass

G-FITTINGS GmbH

Marie-Curie-Straße 16-18
46446 Emmerich am Rhein
T +49 (0)2822 962 0
F +49 (0)2822 962 221
E sales@g-fittings.com

Art. 77410306000-10
 Art. 77410306000-12
 Art. 77410306000-26

Glasbearbeitung:
 Glass preparation:



(no scaled view)

Empfehlungsmaße entsprechend *DIN 18268
 Recommended dimensions according to *DIN 18268

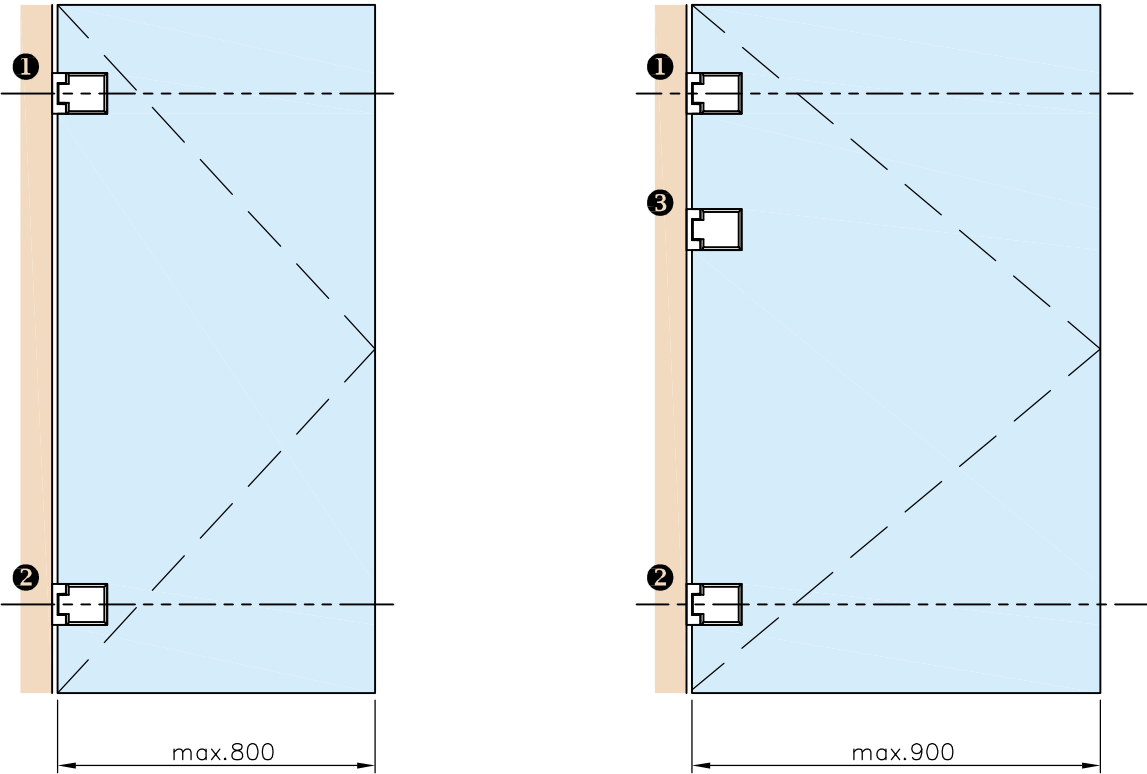
<i>Glastürhöhe</i> <i>Glass door height</i>	<i>Abstand</i> <i>Zargenfalz - BBL(A)</i> <i>distance</i> <i>frame rebate - BBL(A)</i>	<i>Abstand</i> <i>BBL(A) - BBL(B)</i> <i>distance</i> <i>BBL(A) - BBL(B)</i>
1860 mm - 2110 mm	241 +1 mm	1435 mm ±0,5 mm
2111 mm - 2235 mm	241 +1 mm	1560 mm ±0,5 mm
2236 mm - 2360 mm	241 +1 mm	1685 mm ±0,5 mm

G-FITTINGS GmbH

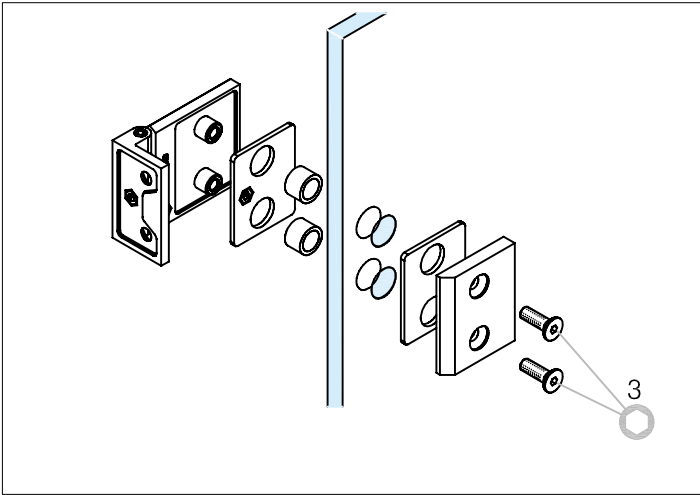
Marie-Curie-Straße 16-18
 46446 Emmerich am Rhein
 T +49 (0)2822 962 0
 F +49 (0)2822 962 221
 E sales@g-fittings.com

Art. 77410306000-10
 Art. 77410306000-12
 Art. 77410306000-26

Breite/Ausladung:
 Width/extension:



(no scaled view)



G-FITTINGS GmbH
 Marie-Curie-Straße 16-18
 46446 Emmerich am Rhein
 T +49 (0)2822 962 0
 F +49 (0)2822 962 221
 E sales@g-fittings.com