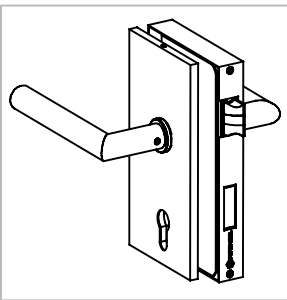


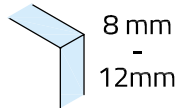
Technische Daten:  
Office Glastürschloss - FINN

Datasheet:  
Office glass door lock - FINN

Art. 77452940002-12  
Art. 77452940002-26



Ausführung:  
Options:



DIN rechts/right



für:/for:  
Profilzylinder  
Profile cylinder

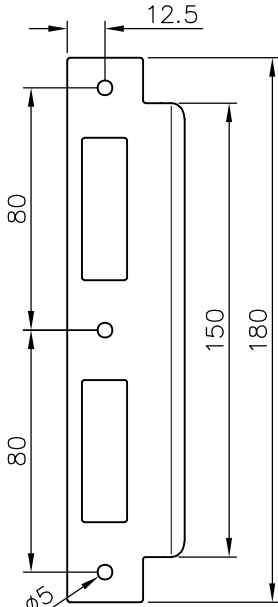
Material: V2A  
Material: Stainless steel AISI 304

Gewicht: / Weight: 0,615 kg

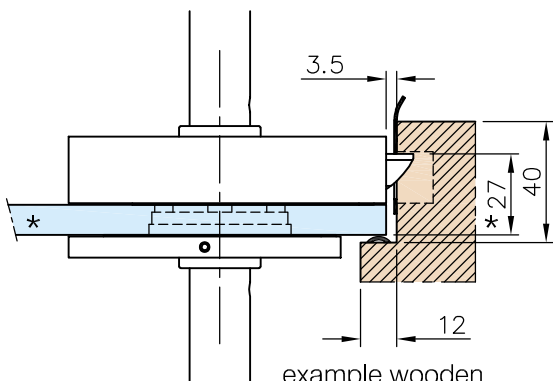
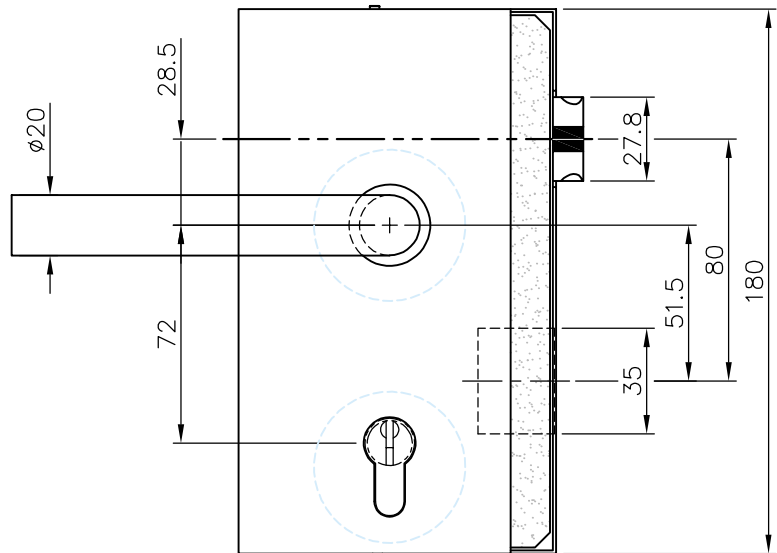
Oberflächen:  
Finish: Edelstahl-Design  
Stainless steel design

Anthrazit-Design  
Anthracite design

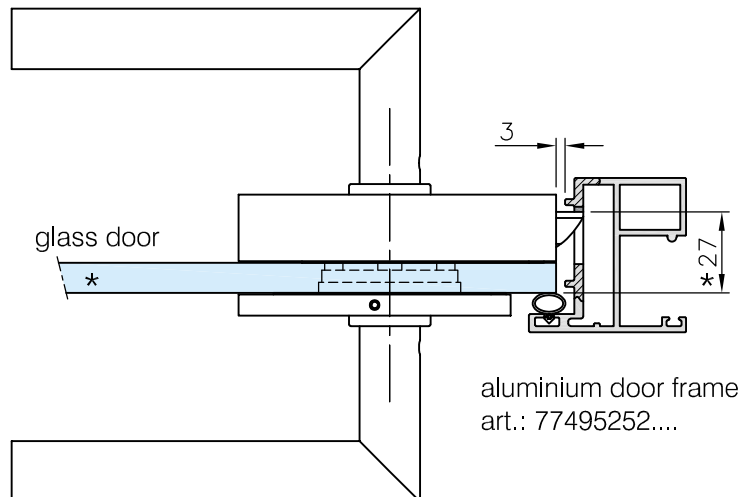
Schließblech inklusive  
Strike plate included



ca. 38



example wooden  
door frame

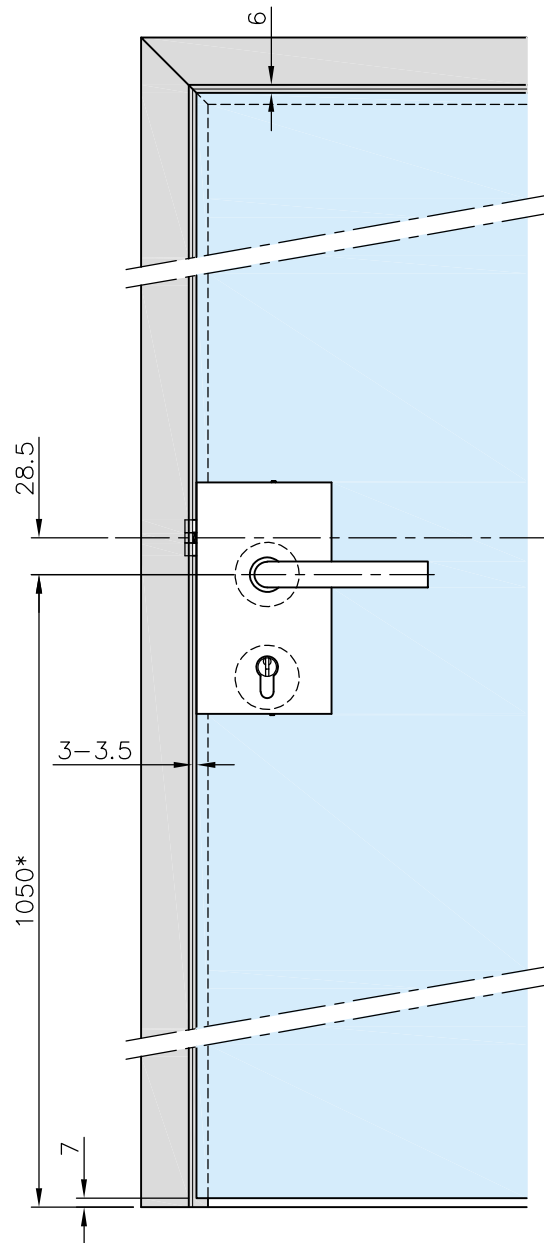
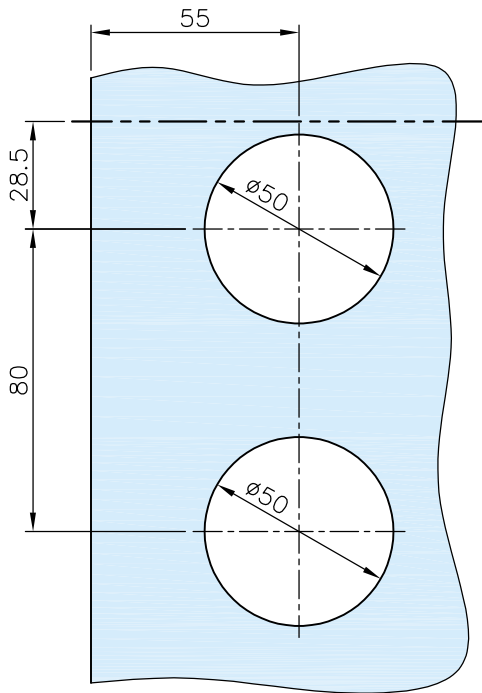


aluminium door frame  
art.: 77495252....

\*drawing shows  
10mm glass

Art. 77452940002-12  
 Art. 77452940002-26

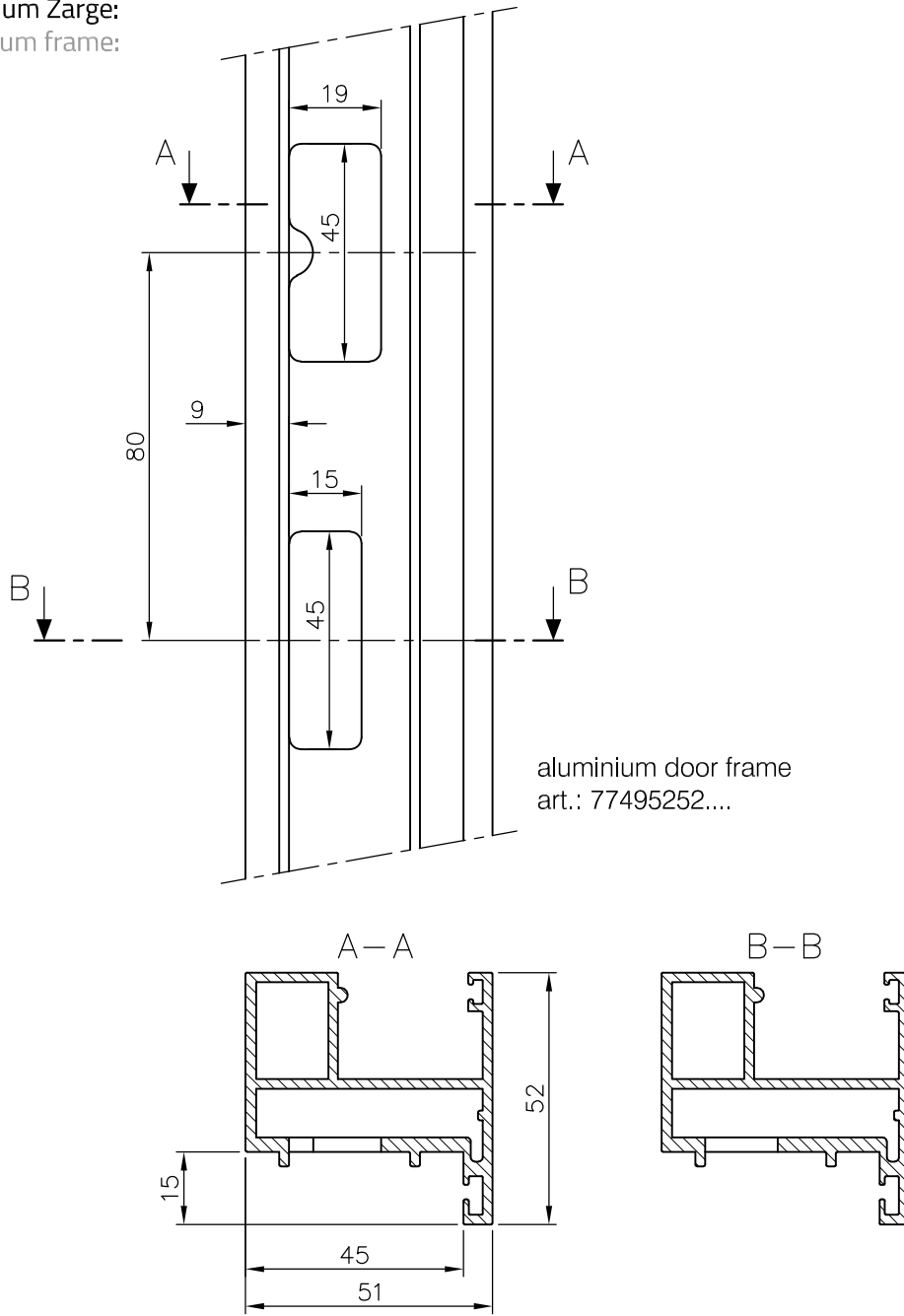
Glasbearbeitung:  
 Glass preparation:



\*Empfohlene Türdrücker Höhe  
 \*Recommended door handle height

Art. 77452940002-12  
 Art. 77452940002-26

Detail Aluminium Zarge:  
 Detail aluminium frame:



**G-FITTINGS GmbH**

Marie-Curie-Straße 16-18  
 46446 Emmerich am Rhein  
 T +49 (0)2822 962 0  
 F +49 (0)2822 962 221  
 E sales@g-fittings.com