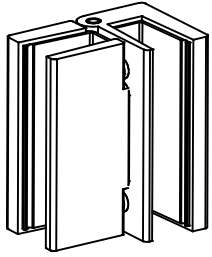


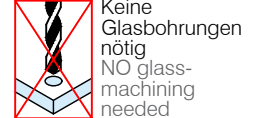
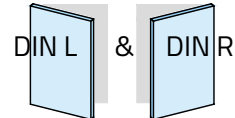
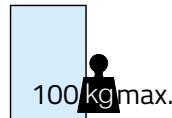
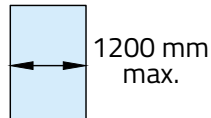
Technische Daten:
Glastürscharnier zum Klemmen - Tine

Datasheet:
Glass door hinge for clamping - Tine

Art. 77452301090-12
Art. 77452301090-23
Art. 77452301090-26



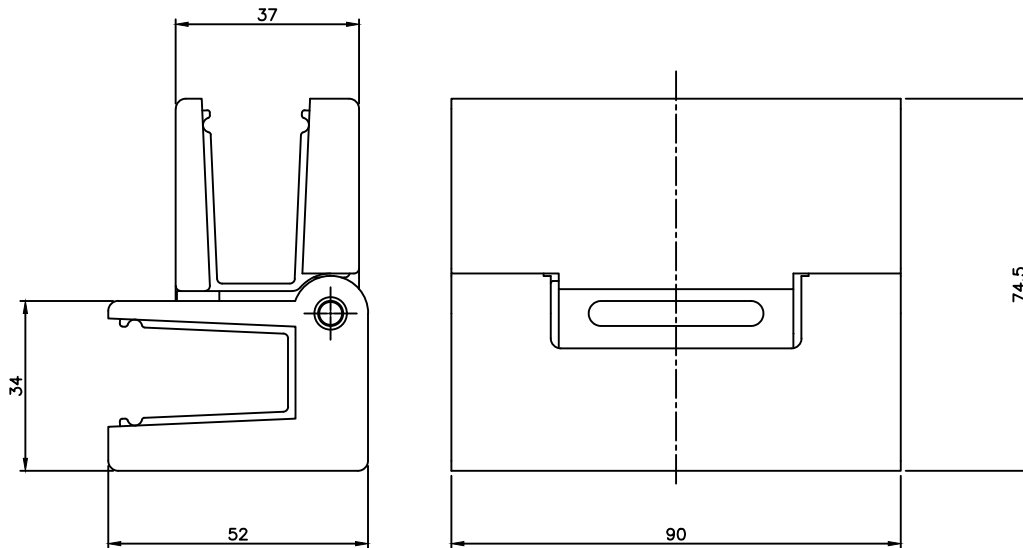
Ausführung:
Options:



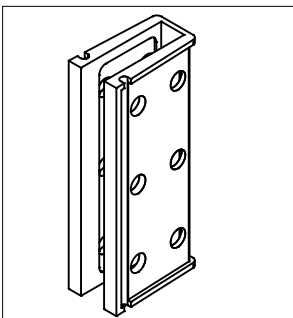
Material: V2A
Material: Stainless steel AISI 304

Gewicht: / Weight: 1,48 kg

Oberflächen: Edelstahl-Design Chrome-Design Anthrazit-Design
Finish: Stainless steel design Chrome design Anthracite design

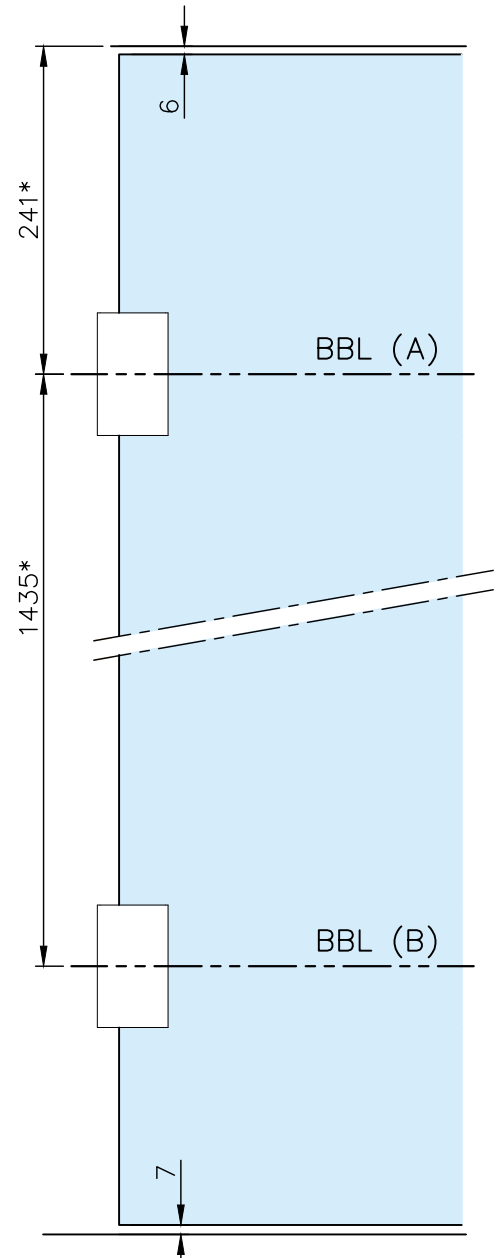
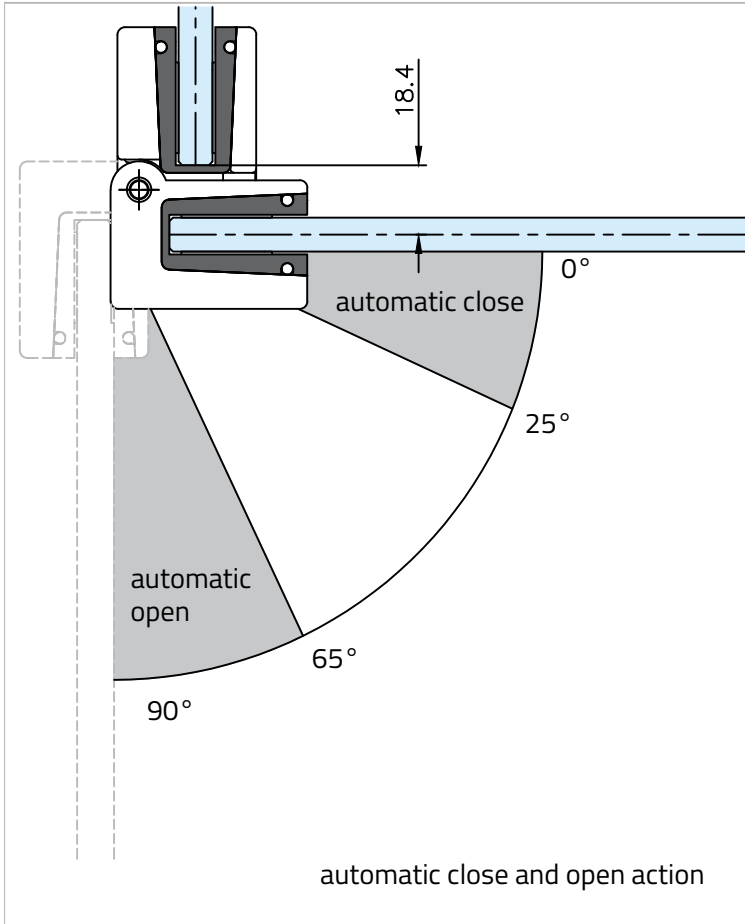


! Kunststoffeinsätze für verschiedene Glasstärken (nicht im Lieferumfang enthalten)
Plastic inserts for different glass thicknesses (Not included in the scope of delivery)



8 mm	7719600100800
10 mm	7719600101000
10.76 mm	7719600101100
12 mm	7719600101100
12.76 mm	7719600101300

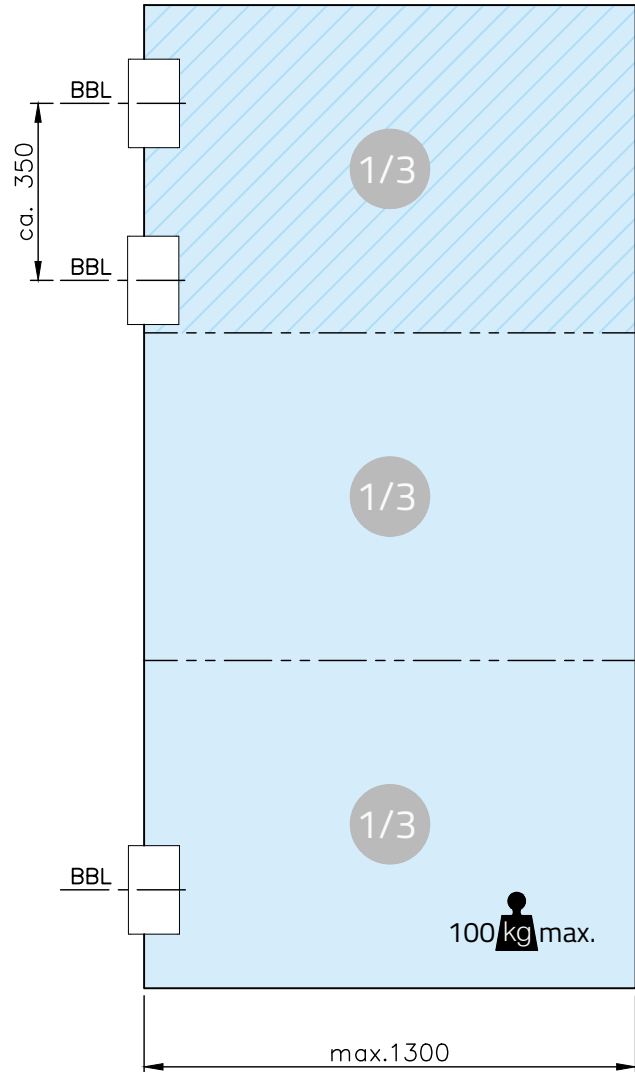
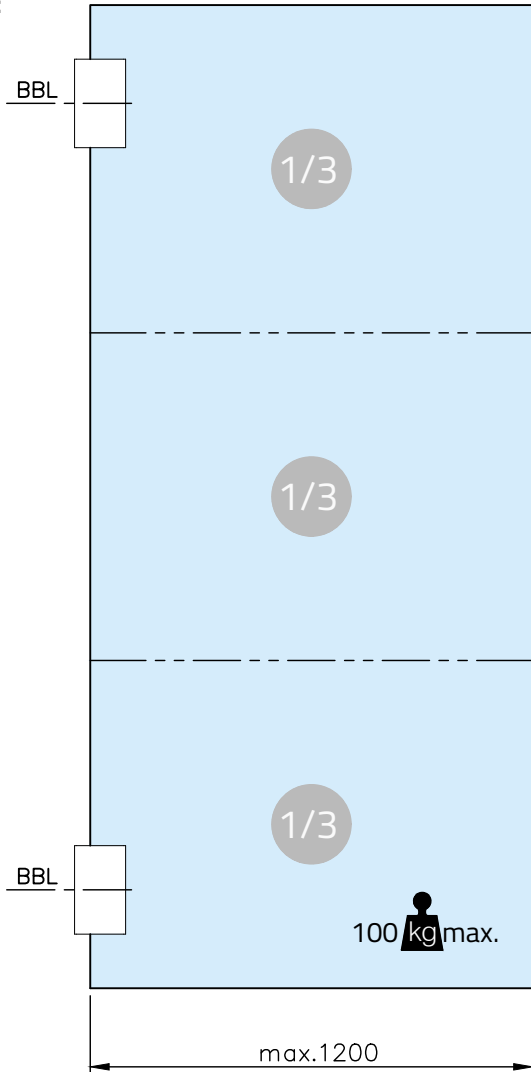
Art. 77452301090-12
 Art. 77452301090-23
 Art. 77452301090-26



Empfehlungsmaße entsprechend *DIN 18268 Recommended dimensions according to *DIN 18268		
<i>Türhöhe</i> Door height	<i>Abstand Zargenfalz - BBL(A)</i> distance frame rebate - BBL(A)	<i>Abstand BBL(A) - BBL(B)</i> distance BBL(A) - BBL(B)
1860 mm - 2110 mm	241 +1 mm	1435 mm ±0,5 mm
2111 mm - 2235 mm	241 +1 mm	1560 mm ±0,5 mm
2236 mm - 2360 mm	241 +1 mm	1685 mm ±0,5 mm

Art. 77452301090-12
Art. 77452301090-23
Art. 77452301090-26

Gewicht:
Weight:

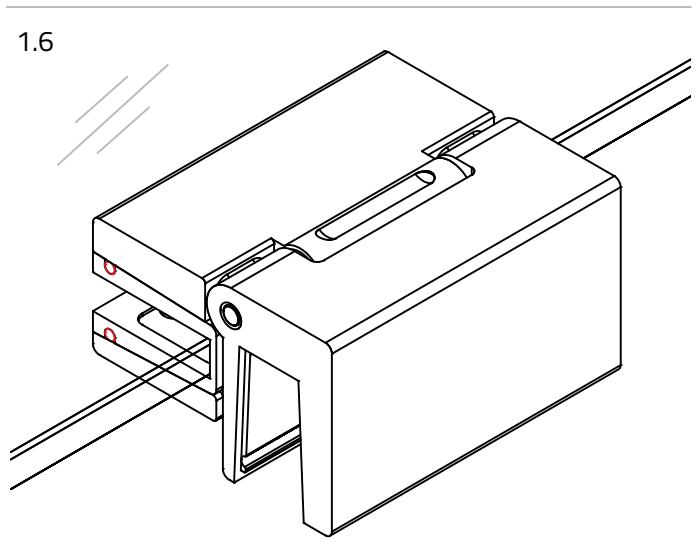
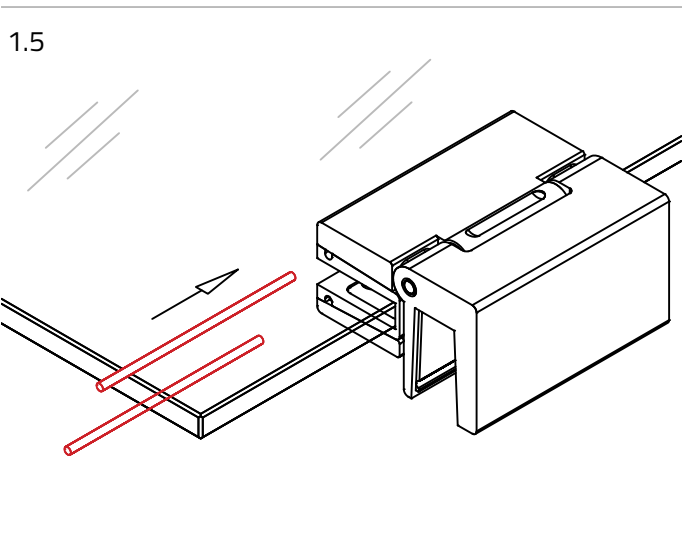
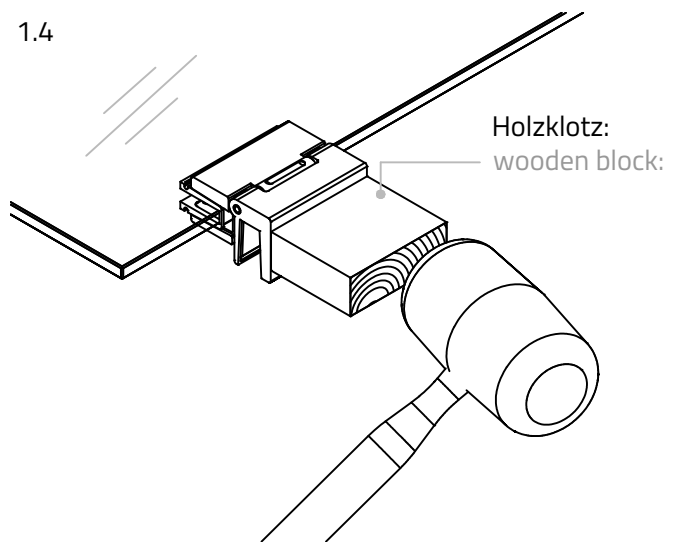
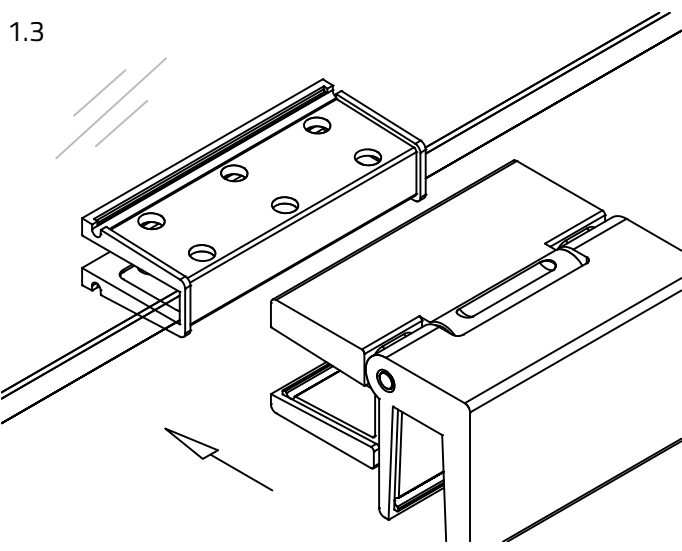
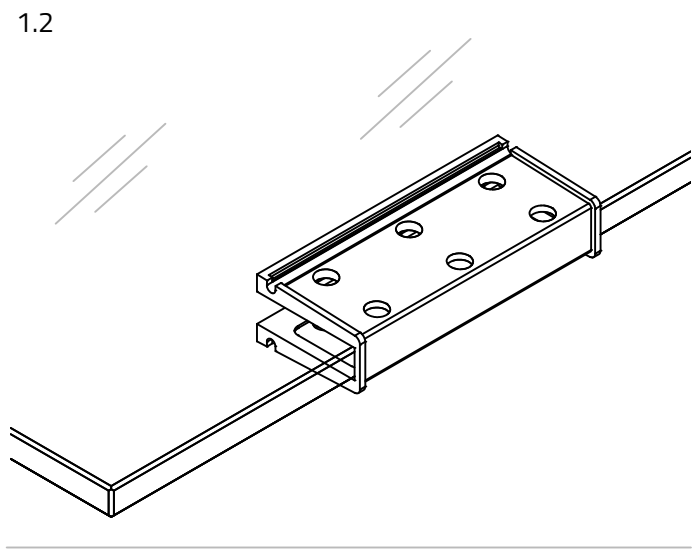
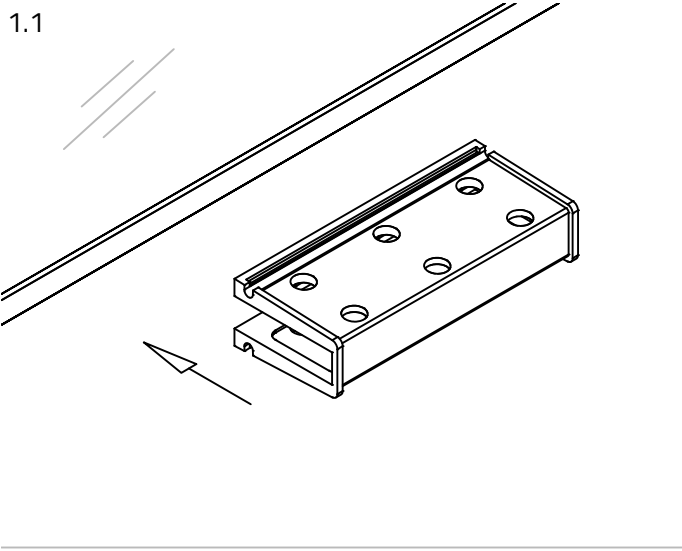


(no scaled view)

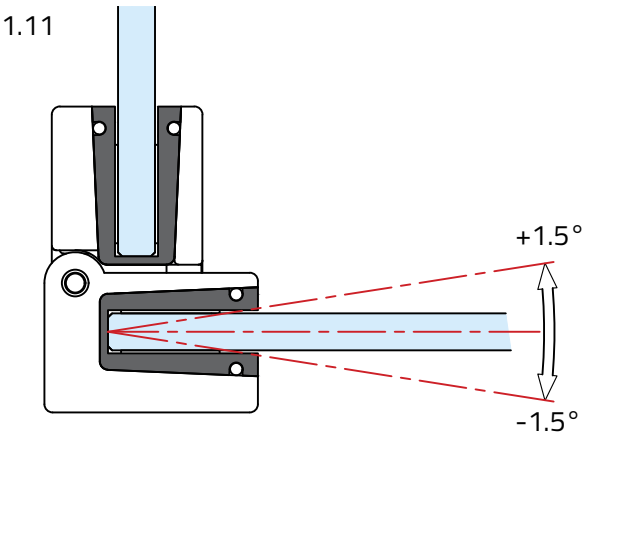
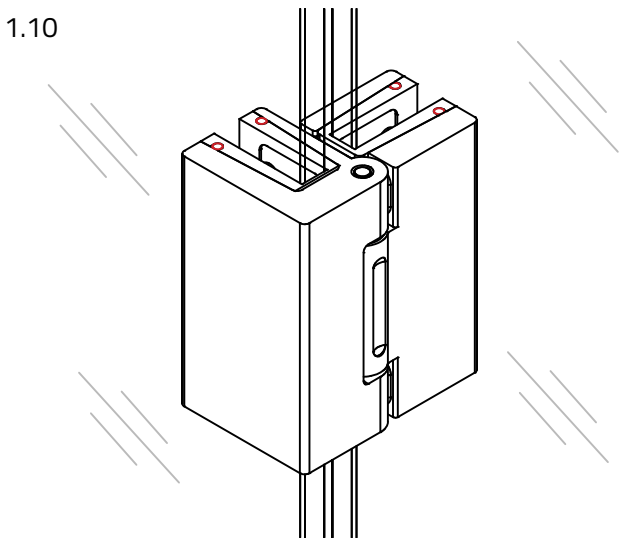
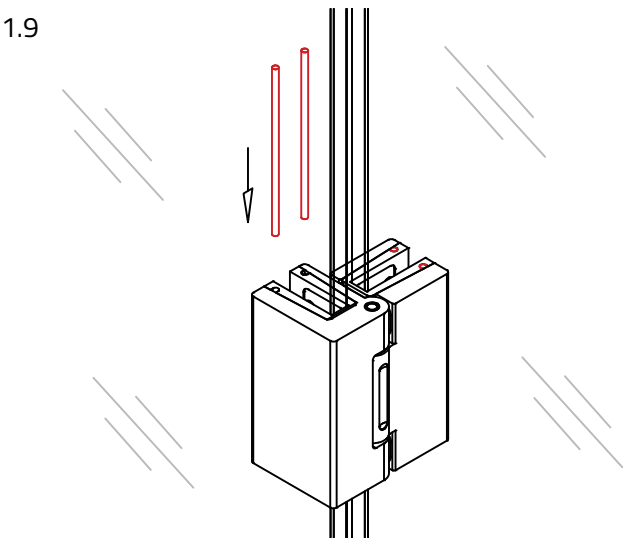
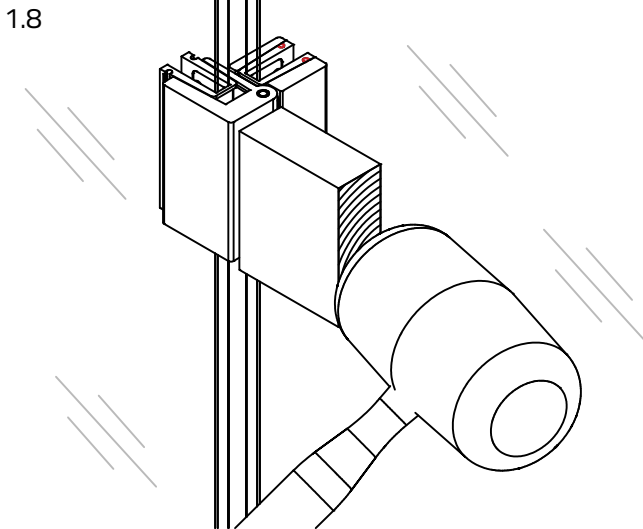
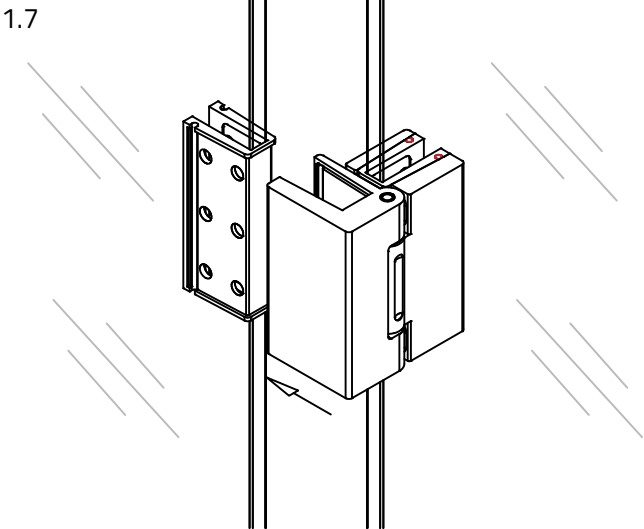
G-FITTINGS GmbH

Marie-Curie-Straße 16-18
46446 Emmerich am Rhein
T +49 (0)2822 962 0
E sales@g-fittings.shop

Art. 77452301090-12
Art. 77452301090-23
Art. 77452301090-26



Art. 77452301090-12
 Art. 77452301090-23
 Art. 77452301090-26



Stellschrauben
 set screws

