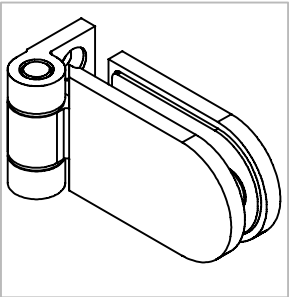
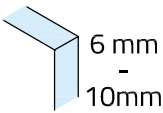
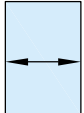


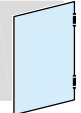


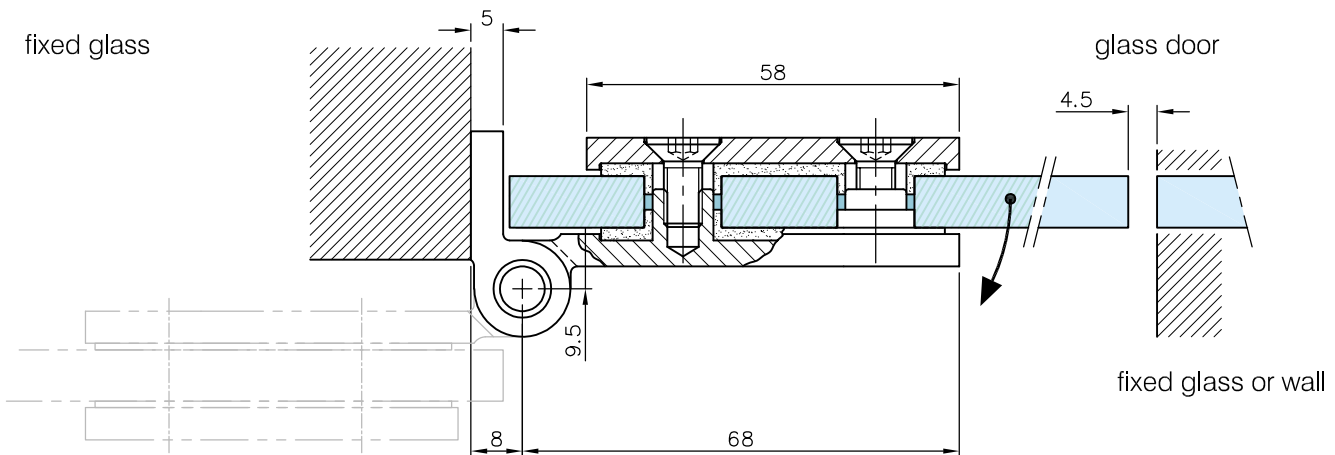
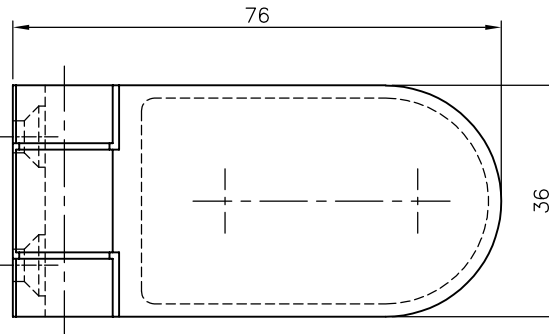
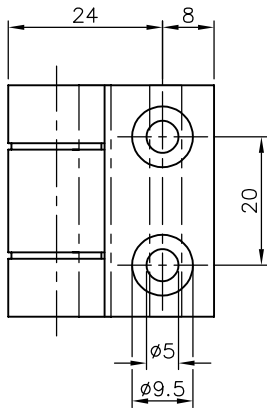
Technische Daten:
Glastürscharnier - Kirstin

Datasheet:
Glass door hinge - Kirstin

Art. 77410406000-10
Art. 77410406000-12
Art. 77410406000-26



Ausführung: Options:	 6 mm - 10mm	 900 mm max.	 45 kg max.	 DIN links/left +  DIN rechts/right
	Material: Material:	V2A Stainless steel AISI 304		Gewicht: / Weight: 0,280 kg
Oberflächen: Finish:	Edelstahl-Design Stainless steel design	Chrom-Design Chrome design	Anthrazit-Design Anthracite design	



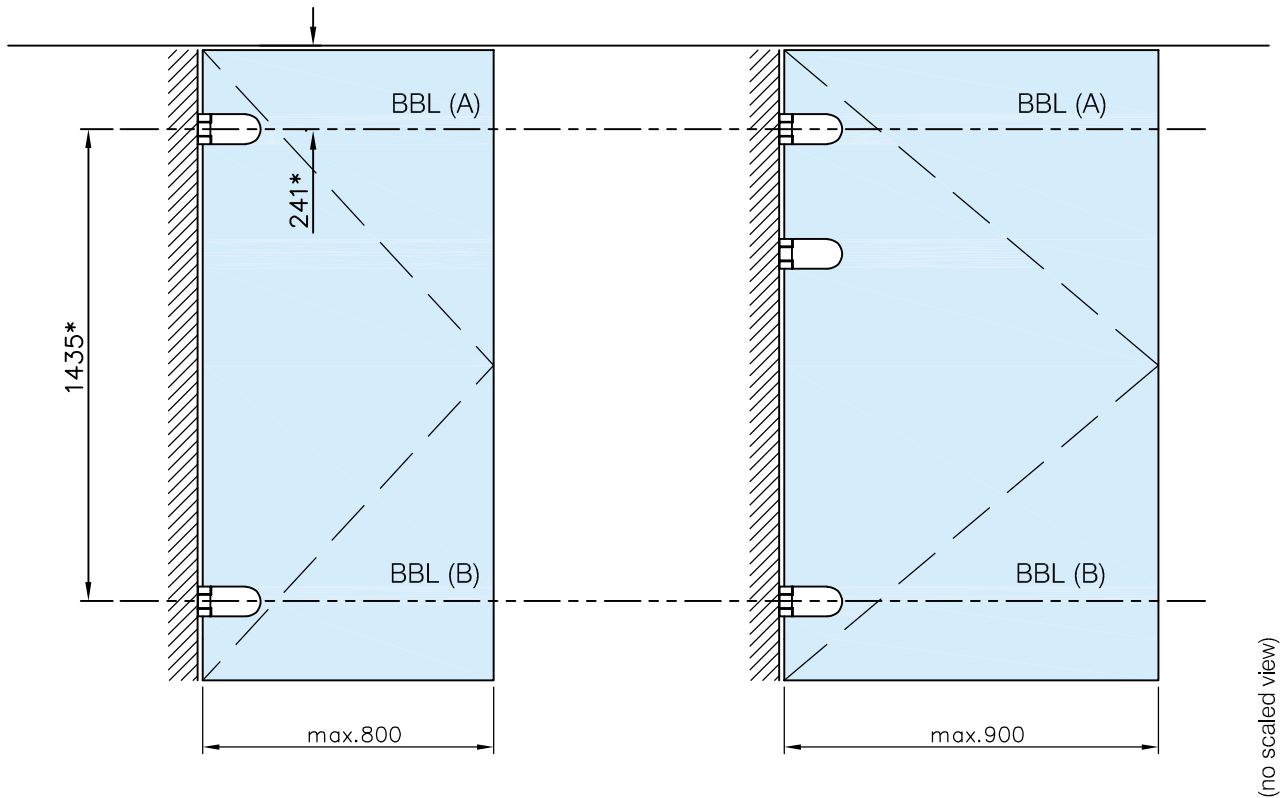
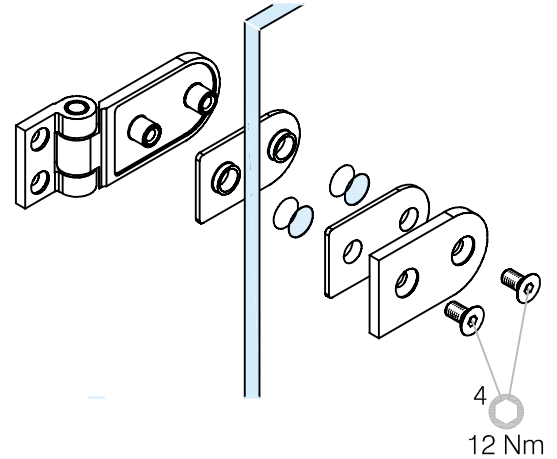
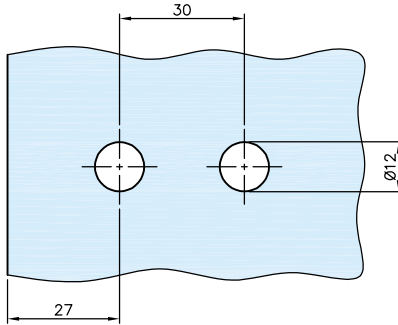
*drawing shows
6mm glass

G-FITTINGS GmbH

Marie-Curie-Straße 16-18
46446 Emmerich am Rhein
T +49 (0)2822 962 0
F +49 (0)2822 962 221
E sales@g-fittings.com

Art. 77410406000-10
 Art. 77410406000-12
 Art. 77410406000-26

Glasbearbeitung:
 Glass preparation:



Empfehlungsmaße entsprechend *DIN 18268
 Recommended dimensions according to *DIN 18268

Glastürhöhe Glass door height	Abstand Zargenfalz - BBL(A) distance frame rebate - BBL(A)	Abstand BBL(A) - BBL(B) distance BBL(A) - BBL(B)
1860 mm - 2110 mm	241 +1 mm	1435 mm ±0,5 mm
2111 mm - 2235 mm	241 +1 mm	1560 mm ±0,5 mm
2236 mm - 2360 mm	241 +1 mm	1685 mm ±0,5 mm

G-FITTINGS GmbH

Marie-Curie-Straße 16-18
 46446 Emmerich am Rhein
 T +49 (0)2822 962 0
 F +49 (0)2822 962 221
 E sales@g-fittings.com