

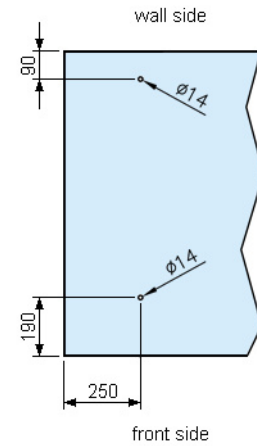
Glass canopy regulations



Glass specifications:

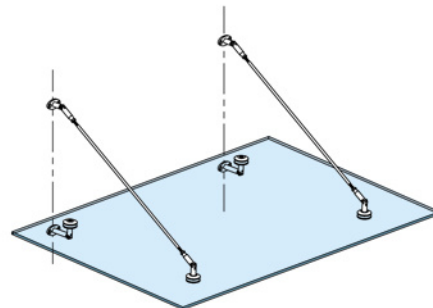
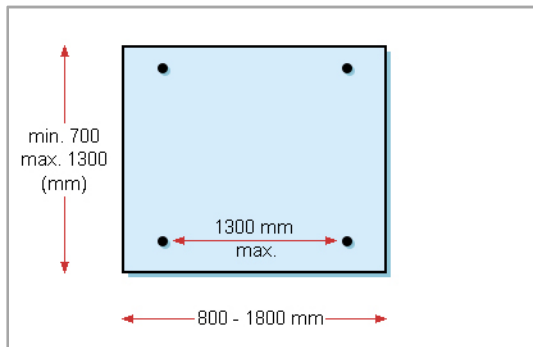
Glass thickness: 10 mm / 10,76 mm
12 mm / 12,76 mm
16,76 mm
17,52 mm

Mounting
glass drill holes:

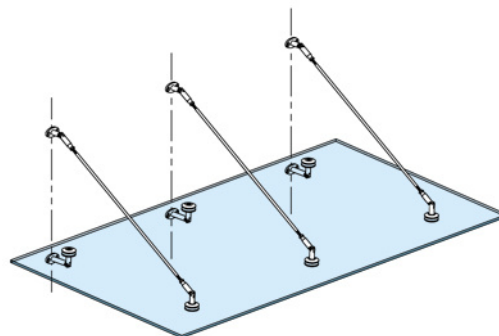
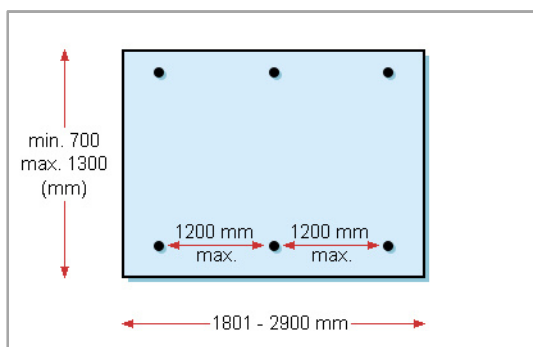


To determine the required number of tension bars, please note the following information:

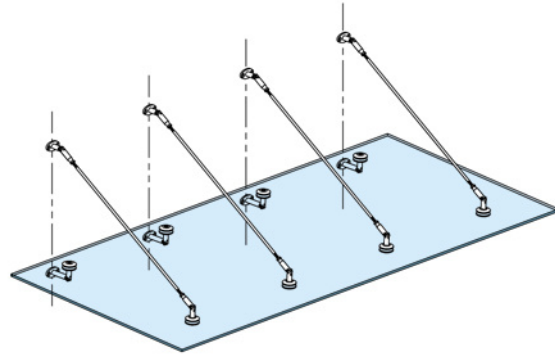
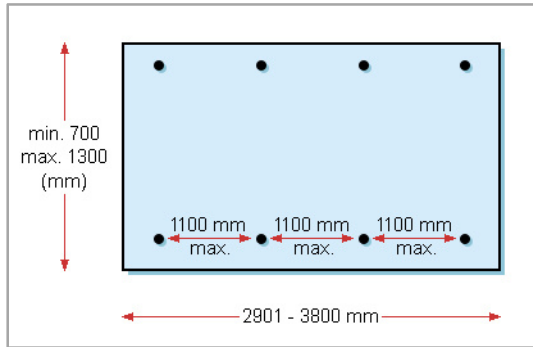
2-bars suspension:



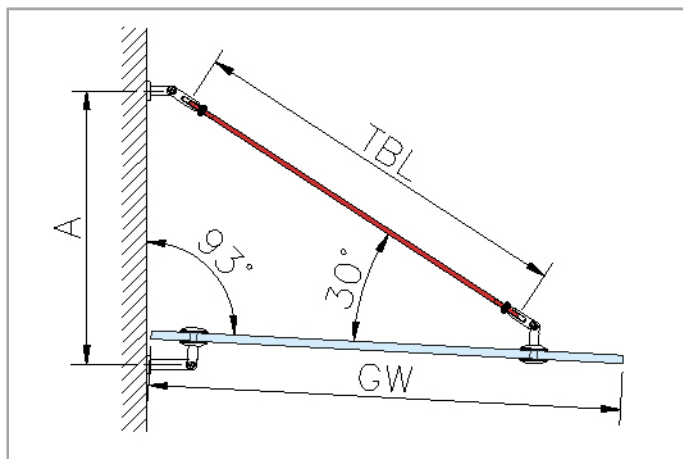
3-bars suspension:



4-bars suspension:



To determine the length of the tension bars, please note the following information:



- GW = canopy glass expanse (width)
- A = wall connector distance
- TBL = tension bar length

(Angular dimensions are only approximate.)

For 10 mm and 10,76mm glass (all dimensions in mm)

GW	A	TBL	GW	A	TBL
700	390	480	1050	600	890
750	420	540	1100	630	950
800	450	600	1150	660	1010
850	480	650	1200	690	1070
900	510	710	1250	720	1130
950	540	770	1300	750	1190
1000	570	830			

For 12 mm and 12,76 mm glass

(all dimensions in mm)

GW	A	TBL	GW	A	TBL
700	395	480	1050	605	890
750	425	540	1100	635	950
800	455	600	1150	665	1010
850	485	650	1200	695	1070
900	515	710	1250	725	1130
950	545	770	1300	755	1190
1000	575	830			

For 16,76 mm and 17,52 mm glass

(all dimensions in mm)

GW	A	TBL	GW	A	TBL
700	400	480	1050	610	890
750	430	540	1100	640	950
800	460	600	1150	670	1010
850	490	650	1200	700	1070
900	520	710	1250	730	1130
950	550	770	1300	760	1190
1000	580	830			