

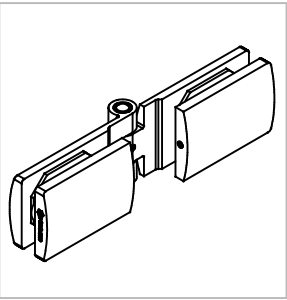
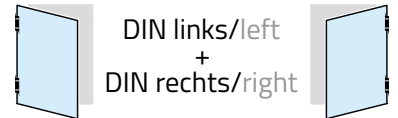
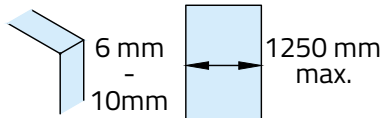
Technische Daten:
 Glastürscharnier - Helena

 Datasheet:
 Glass door hinge - Helena

Art. 41.0502.180.10

Art. 41.0502.180.12

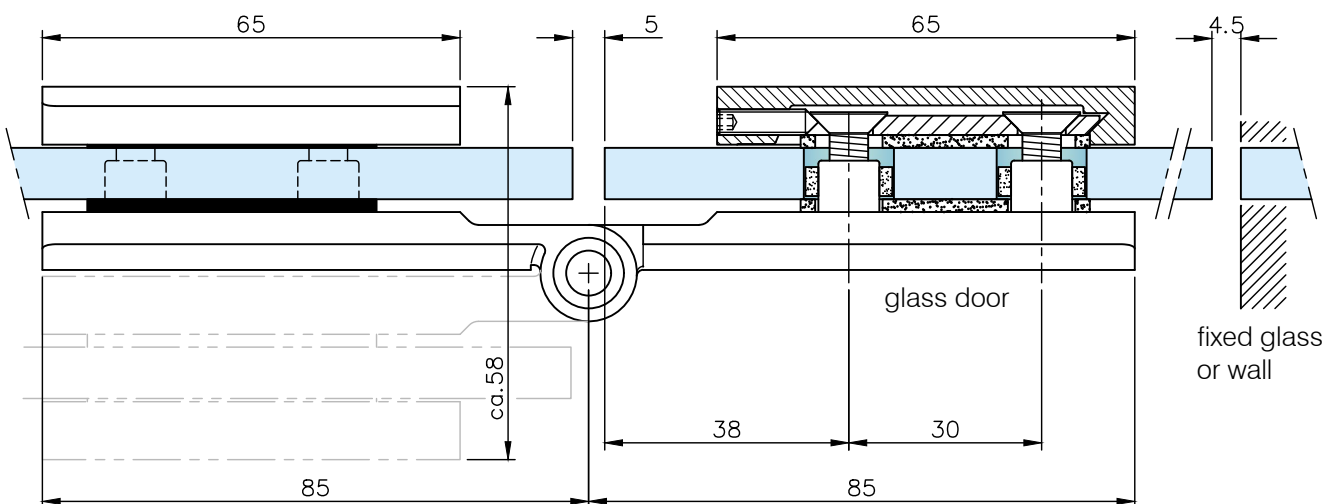
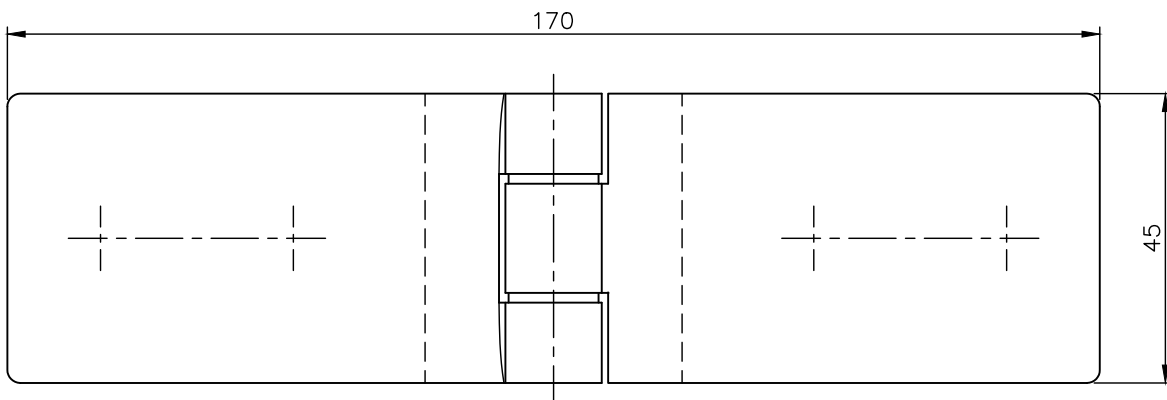
Art. 41.0502.180.26


Ausführung:
 Options:

Material: V2A
Material: Stainless steel AISI 304

Gewicht: / Weight: 0,749 kg

Oberflächen: Edelstahl-Design
Finish: Stainless steel design

Chrom-Design
 Chrome design

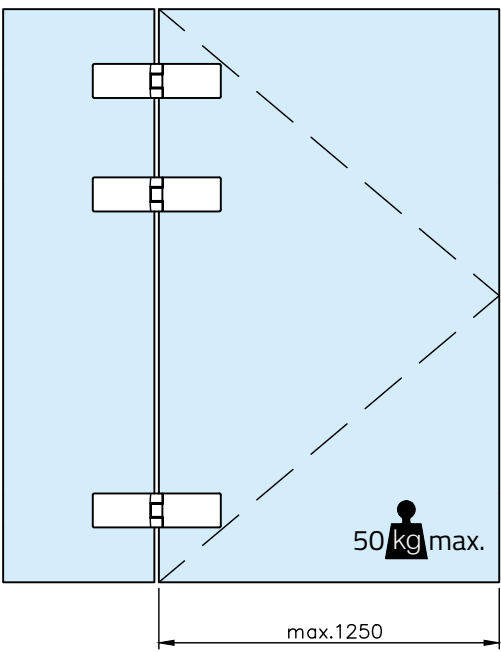
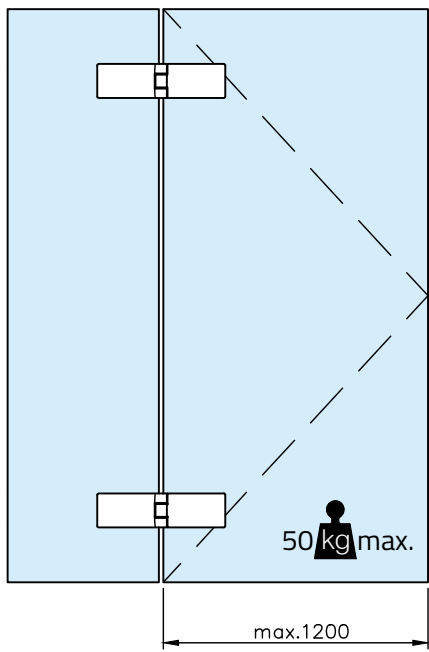
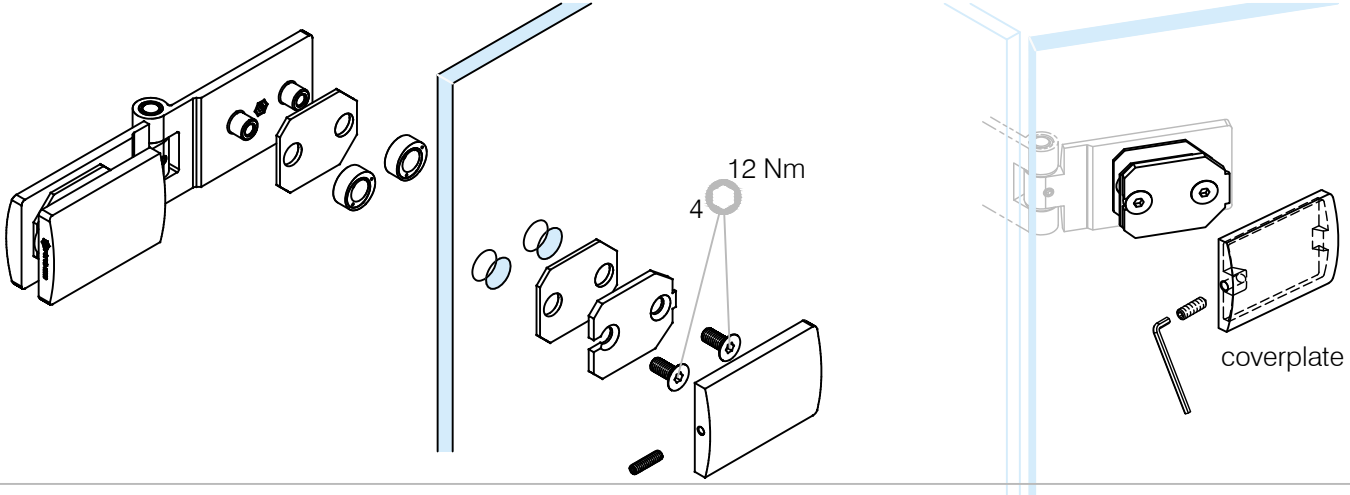
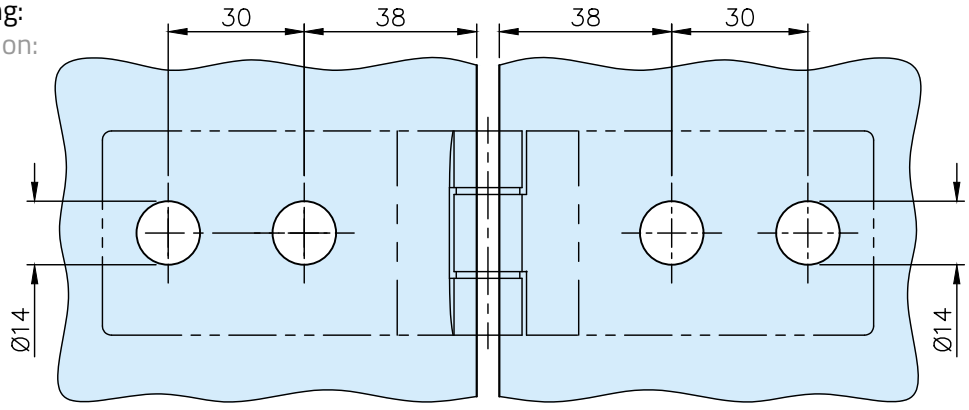
Anthrazit-Design
 Anthracite design

 *drawing shows
 8mm glass

G-FITTINGS GmbH

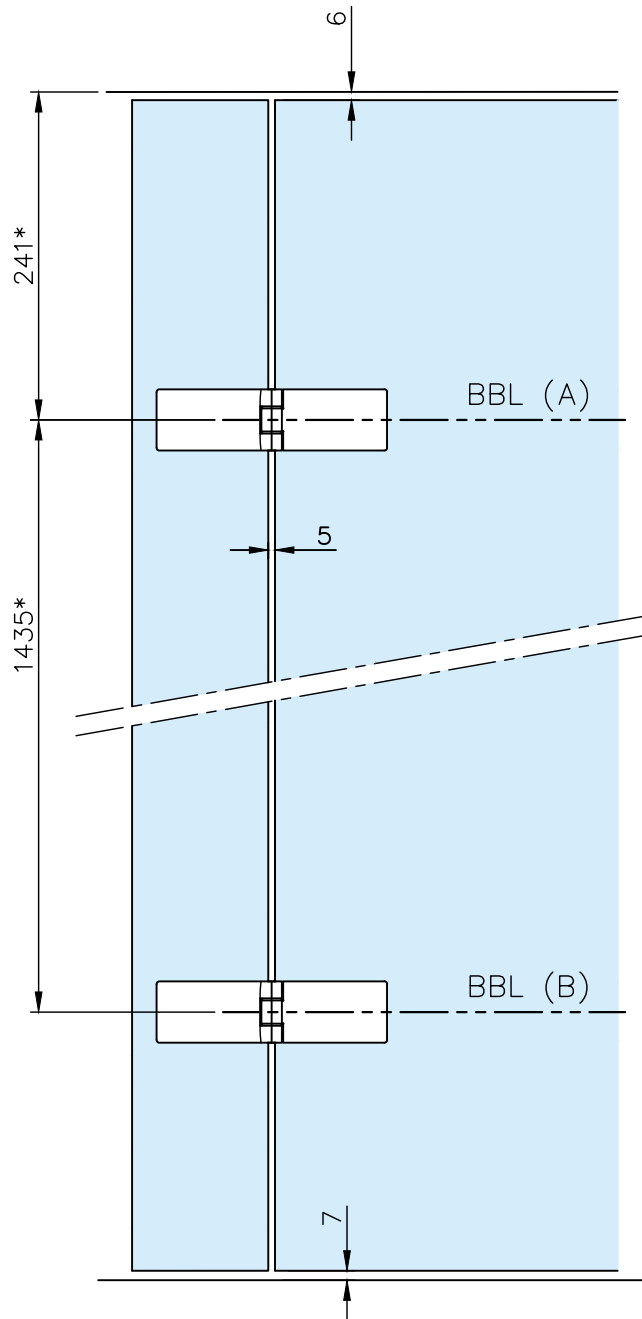
 Marie-Curie-Straße 16-18
 46446 Emmerich am Rhein
 T +49 (0)2822 962 0
 F +49 (0)2822 962 221
 E sales@g-fittings.com

Art. 41.0502.180.10
 Art. 41.0502.180.12
 Art. 41.0502.180.26

Glasbearbeitung:
 Glass preparation:



Art. 41.0502.180.10
 Art. 41.0502.180.12
 Art. 41.0502.180.26



(no scaled view)

Empfehlungsmaße entsprechend *DIN 18268
 Recommended dimensions according to *DIN 18268

<i>Glastürhöhe</i> <i>Glass door height</i>	<i>Abstand</i> <i>Zargenfalz - BBL(A)</i> <i>distance</i> <i>frame rebate - BBL(A)</i>	<i>Abstand</i> <i>BBL(A) - BBL(B)</i> <i>distance</i> <i>BBL(A) - BBL(B)</i>
1860 mm - 2110 mm	241 +1 mm	1435 mm ±0,5 mm
2111 mm - 2235 mm	241 +1 mm	1560 mm ±0,5 mm
2236 mm - 2360 mm	241 +1 mm	1685 mm ±0,5 mm

G-FITTINGS GmbH
 Marie-Curie-Straße 16-18
 46446 Emmerich am Rhein
 T +49 (0)2822 962 0
 F +49 (0)2822 962 221
 E sales@g-fittings.com