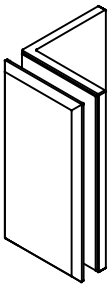


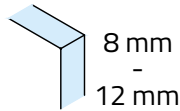
Technische Daten:  
Winkelverbinder 90° - ANNABELL

Datasheet:  
Corner clamp 90° - ANNABELL

Art. 40.4122.000.10  
Art. 40.4122.000.12  
Art. 40.4122.000.26



Ausführung:  
Options:



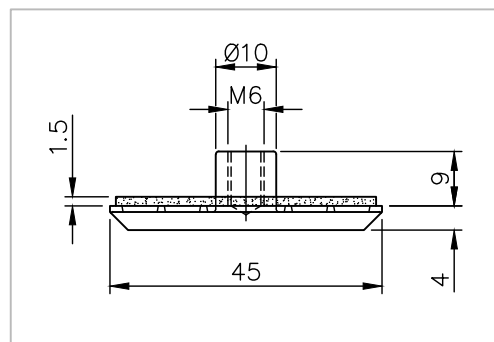
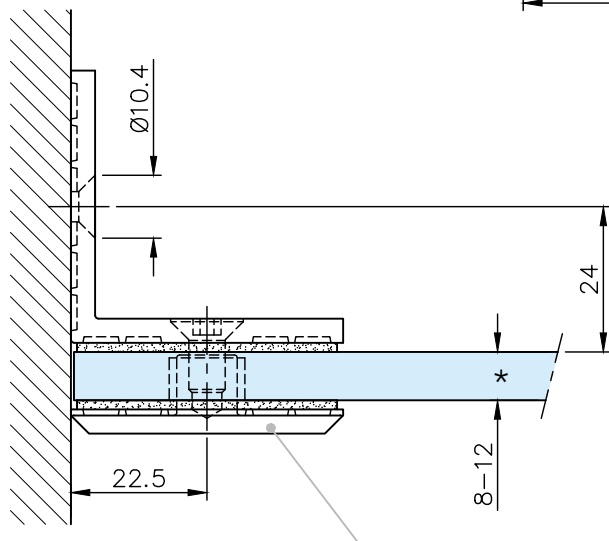
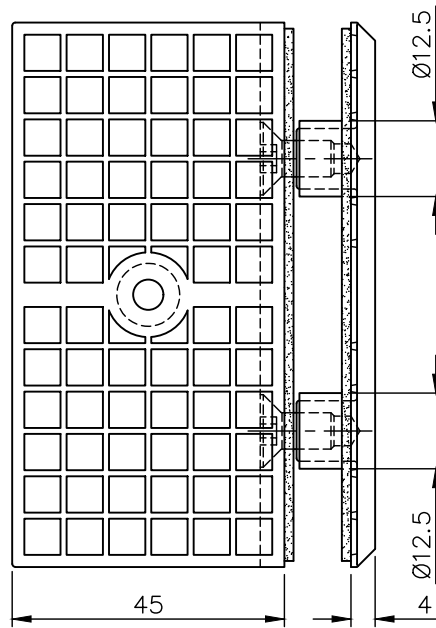
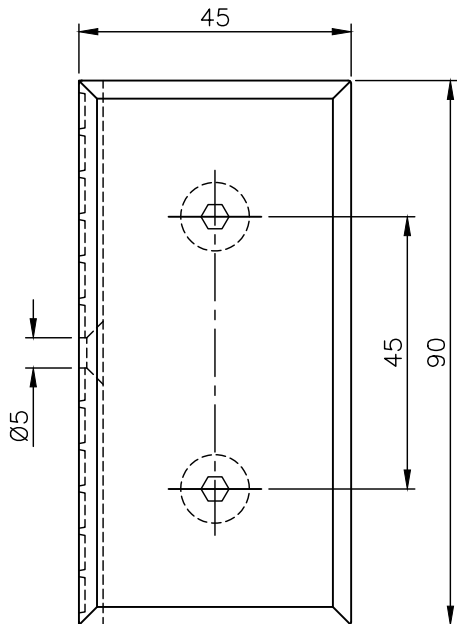
Material: V2A  
Material: Stainless steel AISI 304

Gewicht: / Weight: 0,320 kg

Oberflächen:  
Finish: Edelstahl-Design  
Stainless steel design

Chrom-Design  
Chrome design

Anthrazit-Design  
Anthracite design

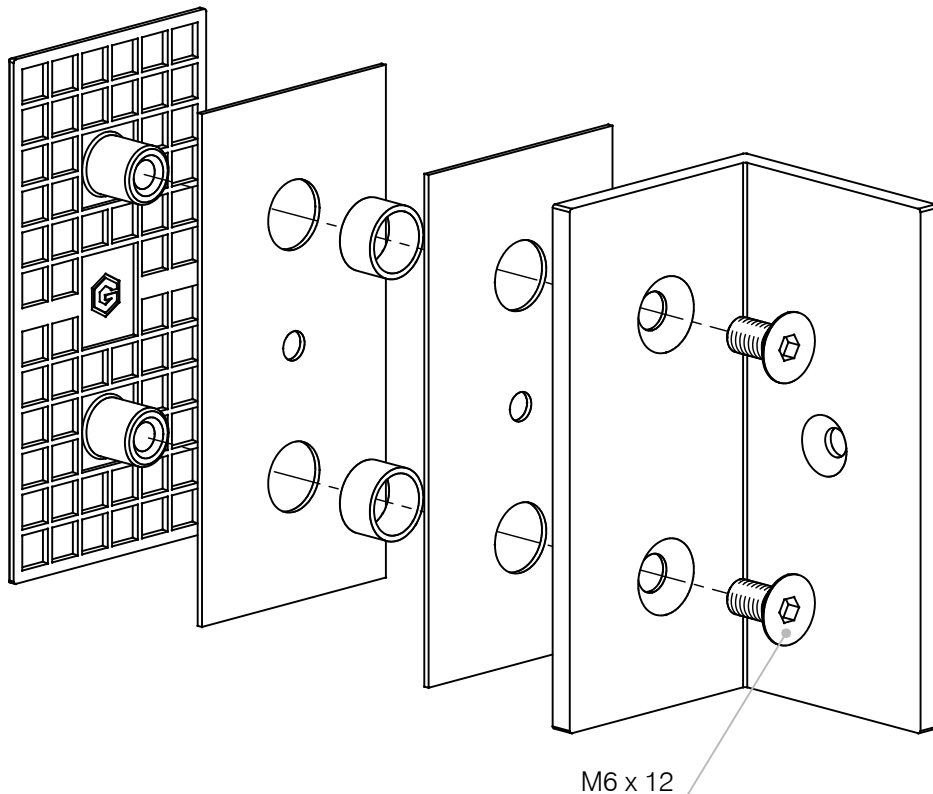
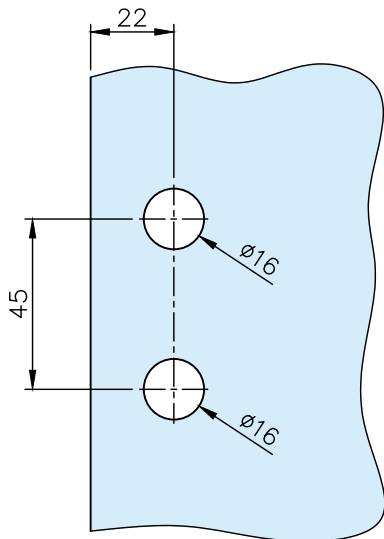


\* drawing shows  
8mm glass

Art. 40.4122.000.10  
 Art. 40.4122.000.12  
 Art. 40.4122.000.26

Stand 07.2021

Glasbearbeitung:  
 Glass preparation:


**G-FITTINGS GmbH**

Marie-Curie-Straße 16-18  
 46446 Emmerich am Rhein  
 T +49 (0)2822 962 0  
 F +49 (0)2822 962 221  
 E sales@g-fittings.com