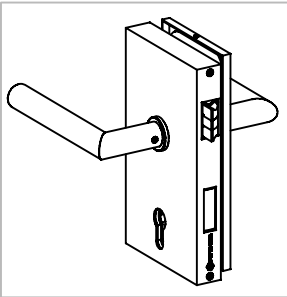


Technische Daten:
Office Glastürschloss - FINN

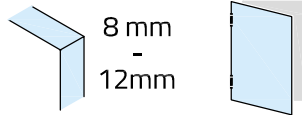
Datasheet:
Office glass door lock - FINN

Art. 45.2930.002.12
Art. 45.2930.002.26

Stand 05.2022



Ausführung:
Options:



DIN links/left

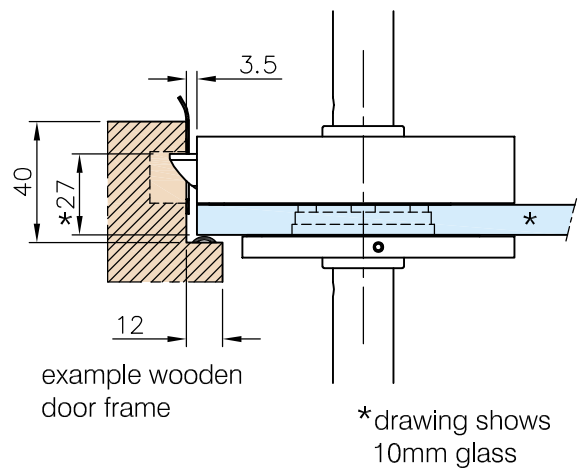
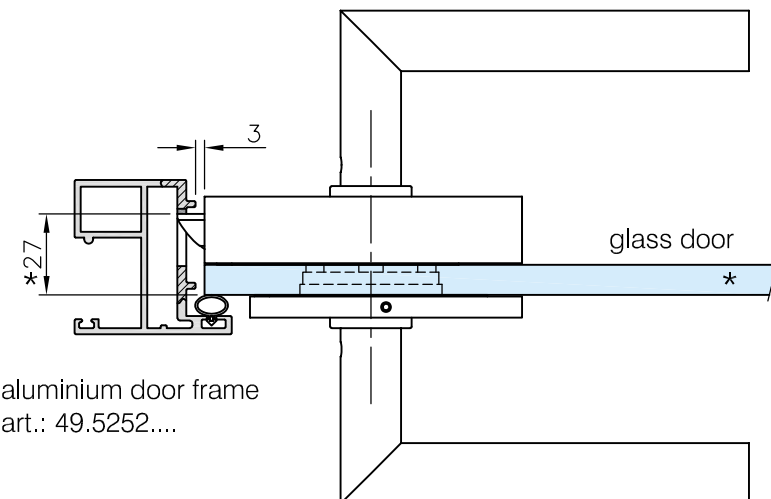
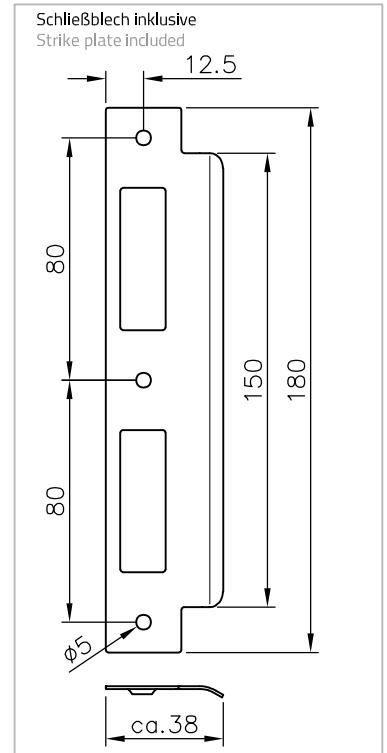
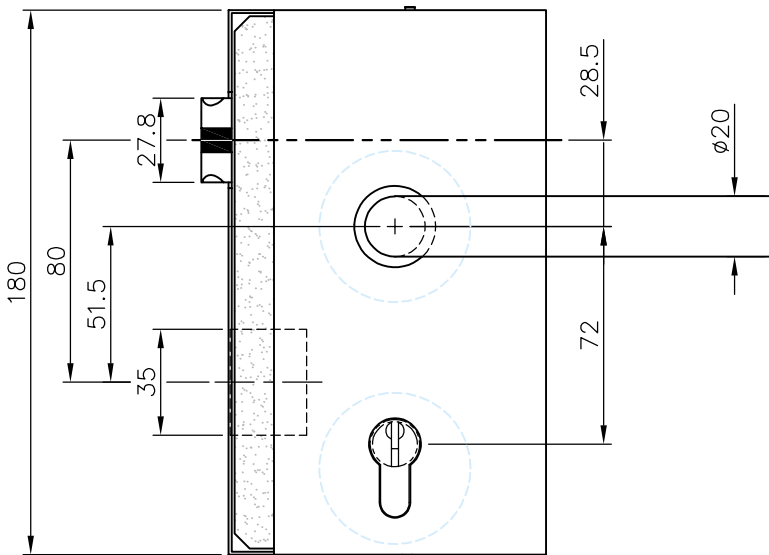
für:/for:
Profilzylinder
Profile cylinder

Material: V2A
Material: Stainless steel AISI 304

Gewicht: / Weight: 0,615 kg

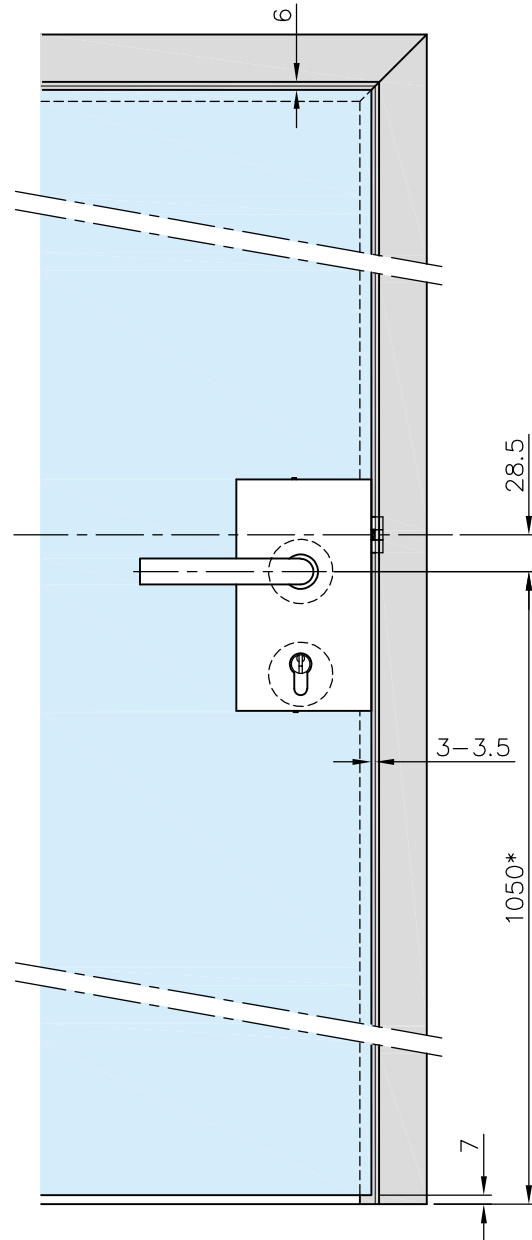
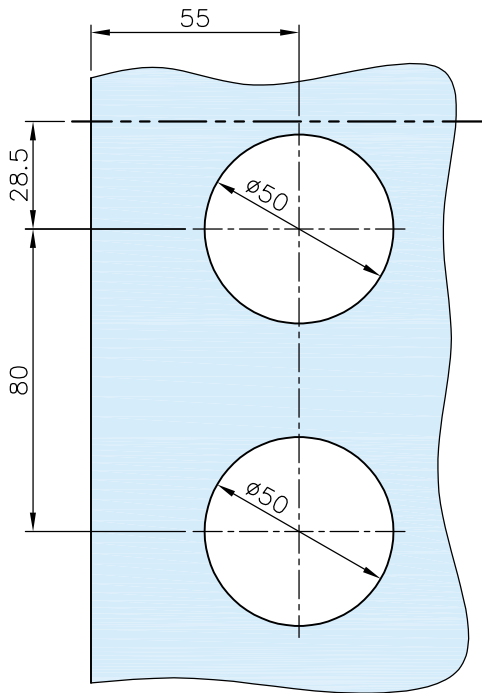
Oberflächen:
Finish: Edelstahl-Design
Stainless steel design

Anthrazit-Design
Anthracite design



Art. 45.2930.002.12
 Art. 45.2930.002.26

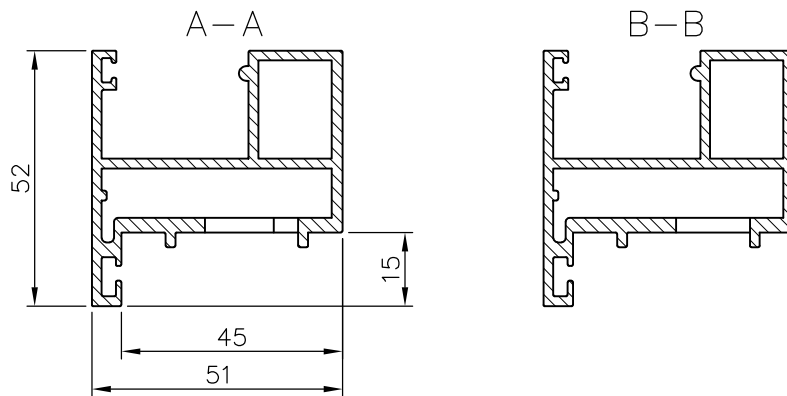
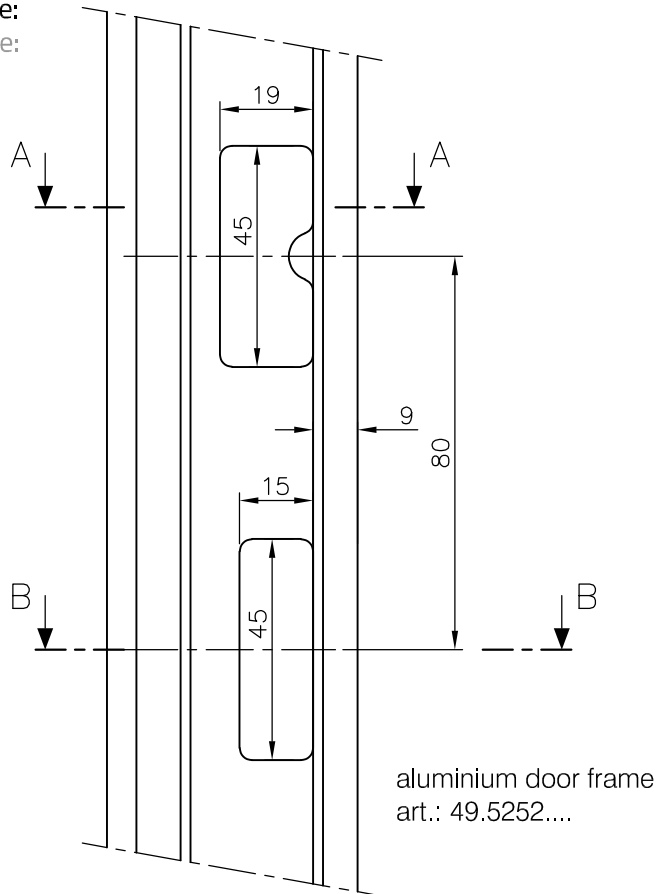
Glasbearbeitung:
 Glass preparation:



*Empfohlene Türdrücker Höhe
 *Recommended door handle height

Art. 45.2930.002.12
 Art. 45.2930.002.26

Detail Aluminium Zarge:
 Detail aluminium frame:



G-FITTINGS GmbH

Marie-Curie-Straße 16-18
 46446 Emmerich am Rhein
 T +49 (0)2822 962 0
 F +49 (0)2822 962 221
 E sales@g-fittings.com