

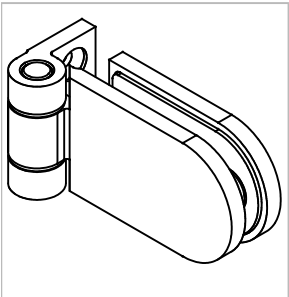
Technische Daten:
Glastürscharnier - Kirstin

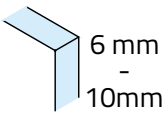
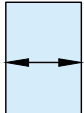
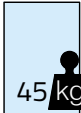
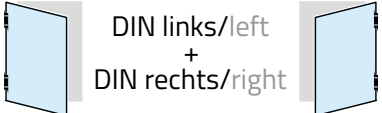
Datasheet:
Glass door hinge - Kirstin

Art. 41.0406.000.10

Art. 41.0406.000.12

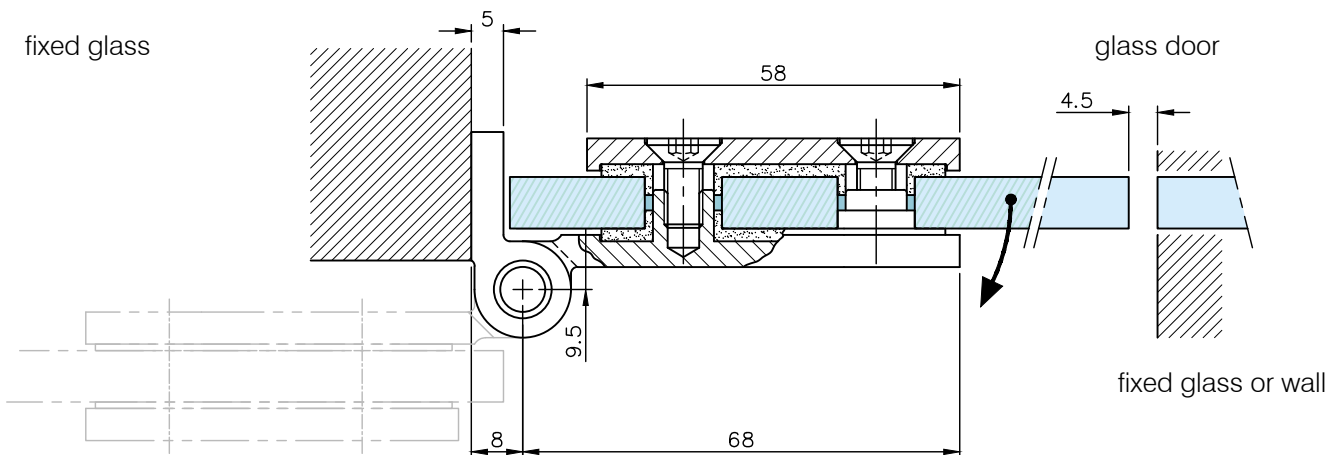
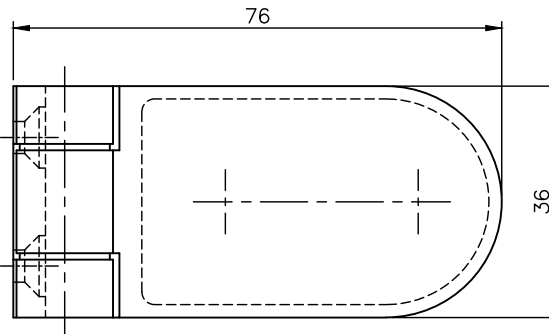
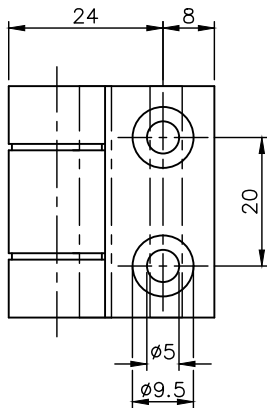
Art. 41.0406.000.26



Ausführung:  6 mm - 10mm  900 mm max.  45 kg max.  DIN links/left + DIN rechts/right

Material: V2A **Gewicht: / Weight:** 0,280 kg
Material: Stainless steel AISI 304

Oberflächen: Edelstahl-Design **Chrom-Design** **Anthrazit-Design**
Finish: Stainless steel design **Chrome design** **Anthracite design**



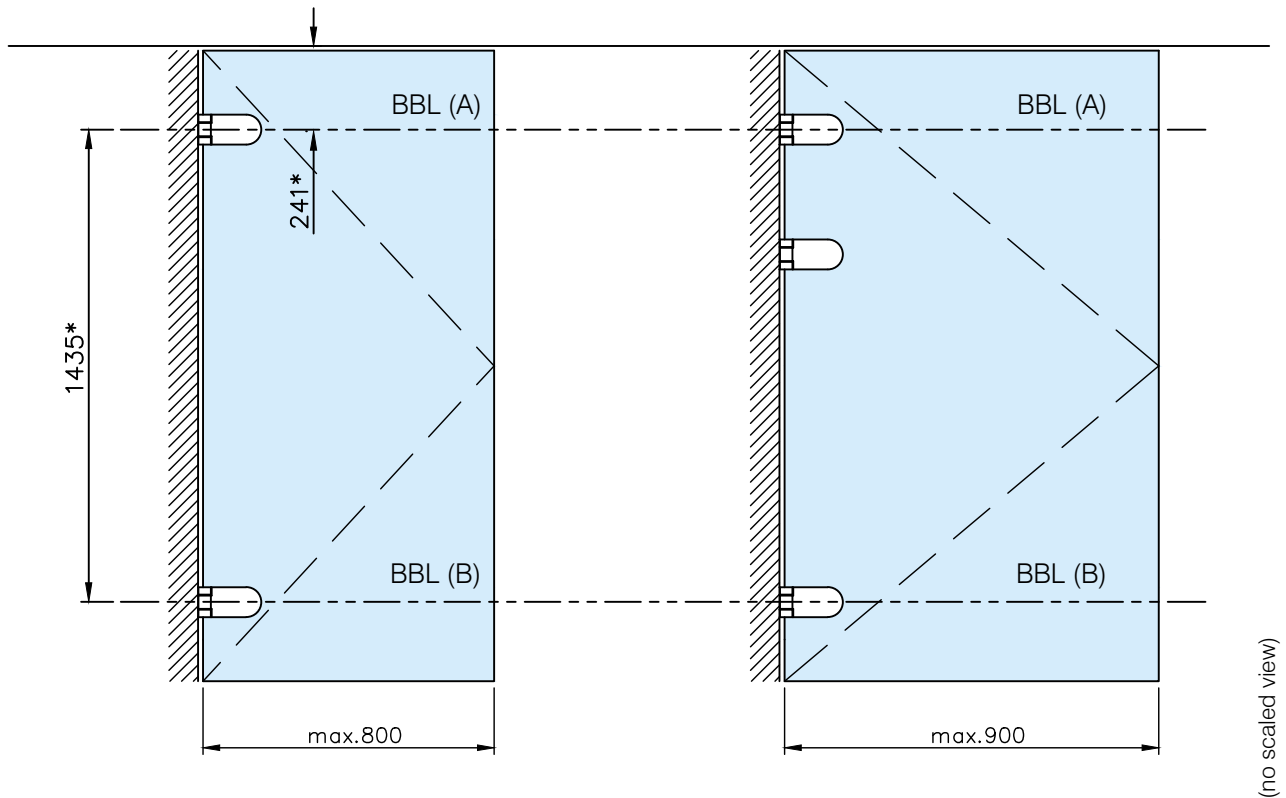
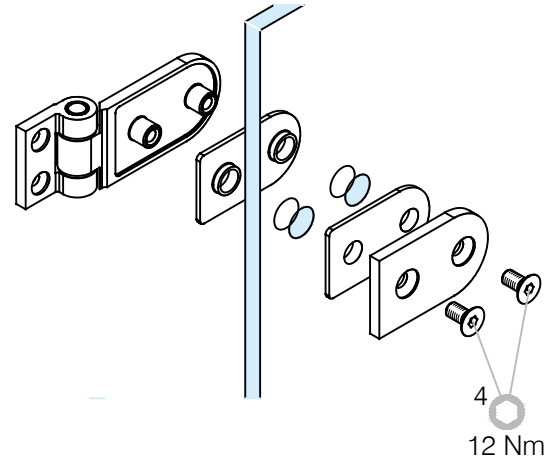
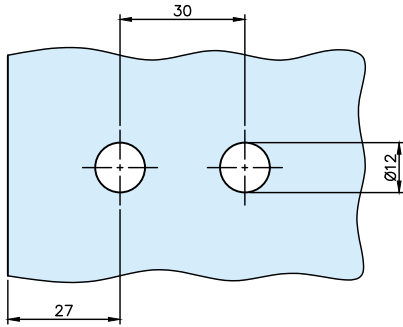
*drawing shows
6mm glass

G-FITTINGS GmbH

Marie-Curie-Straße 16-18
 46446 Emmerich am Rhein
 T +49 (0)2822 962 0
 F +49 (0)2822 962 221
 E sales@g-fittings.com

Art. 41.0406.000.10
 Art. 41.0406.000.12
 Art. 41.0406.000.26

Glasbearbeitung:
 Glass preparation:



Empfehlungsmaße entsprechend *DIN 18268
 Recommended dimensions according to *DIN 18268

<i>Glastürhöhe</i> <i>Glass door height</i>	<i>Abstand</i> <i>Zargenfalz - BBL(A)</i> <i>distance</i> <i>frame rebate - BBL(A)</i>	<i>Abstand</i> <i>BBL(A) - BBL(B)</i> <i>distance</i> <i>BBL(A) - BBL(B)</i>
1860 mm - 2110 mm	241 +1 mm	1435 mm ±0,5 mm
2111 mm - 2235 mm	241 +1 mm	1560 mm ±0,5 mm
2236 mm - 2360 mm	241 +1 mm	1685 mm ±0,5 mm

G-FITTINGS GmbH

Marie-Curie-Straße 16-18
 46446 Emmerich am Rhein
 T +49 (0)2822 962 0
 F +49 (0)2822 962 221
 E sales@g-fittings.com