

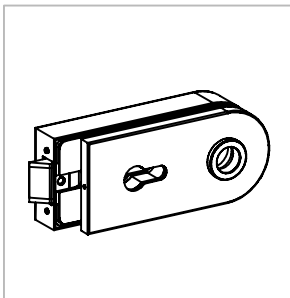
Technische Daten:  
Glastürschloss - CAT

Datasheet:  
Glass door lock - CAT

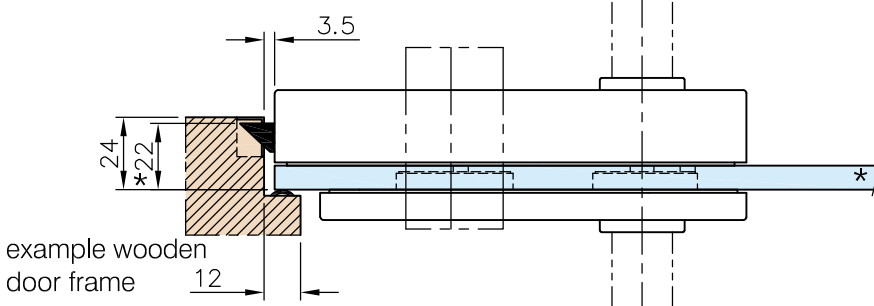
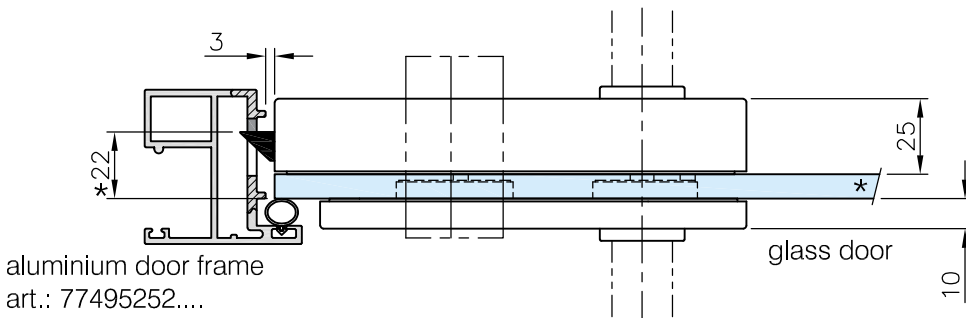
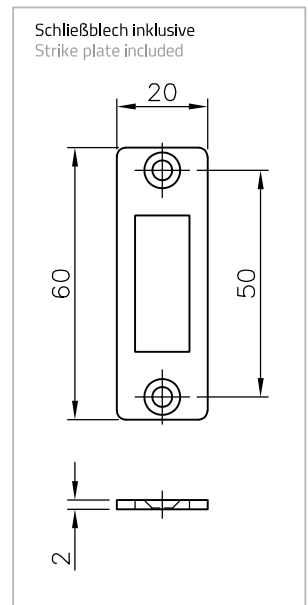
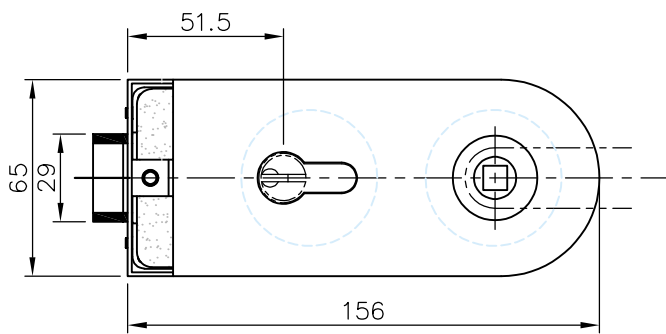
Art. 77452210902-10

Art. 77452210902-12

Art. 77452210902-26



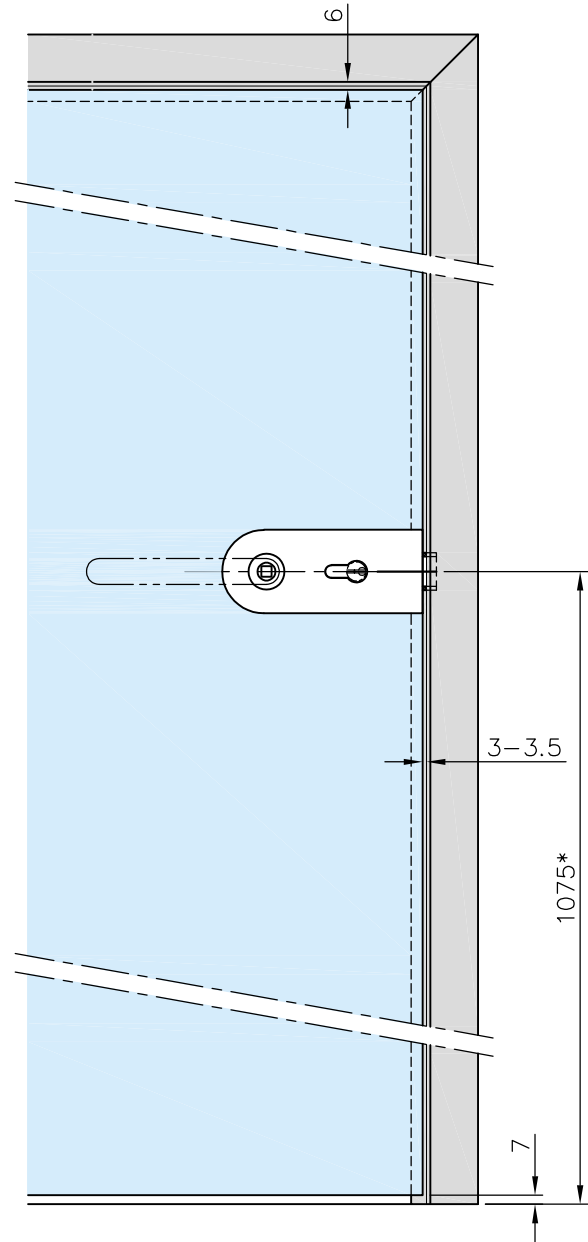
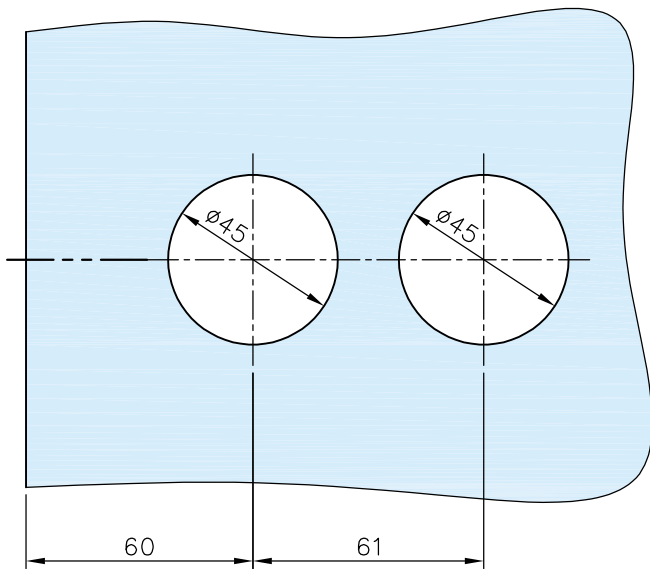
<b>Ausführung:</b> Options:	8 mm 10mm	DIN links/left + DIN rechts/right	für:/for: <b>Profilzylinder</b> Profile cylinder
	<b>Material:</b> Material:	V2A Stainless steel AISI 304	<b>Gewicht: / Weight:</b> 1,050 kg
<b>Oberflächen:</b> Finish:	<b>Edelstahl-Design</b> Stainless steel design	<b>Chrom-Design</b> Chrome design	<b>Anthrazit-Design</b> Anthracite design



\*drawing shows 8mm glass

Art. 77452210902-10  
 Art. 77452210902-12  
 Art. 77452210902-26

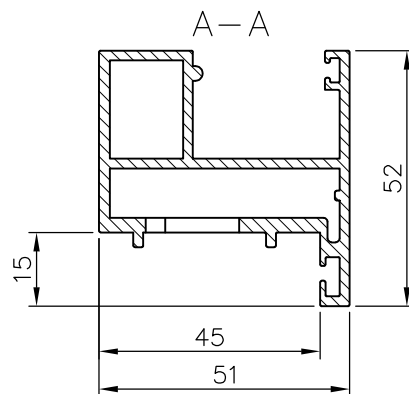
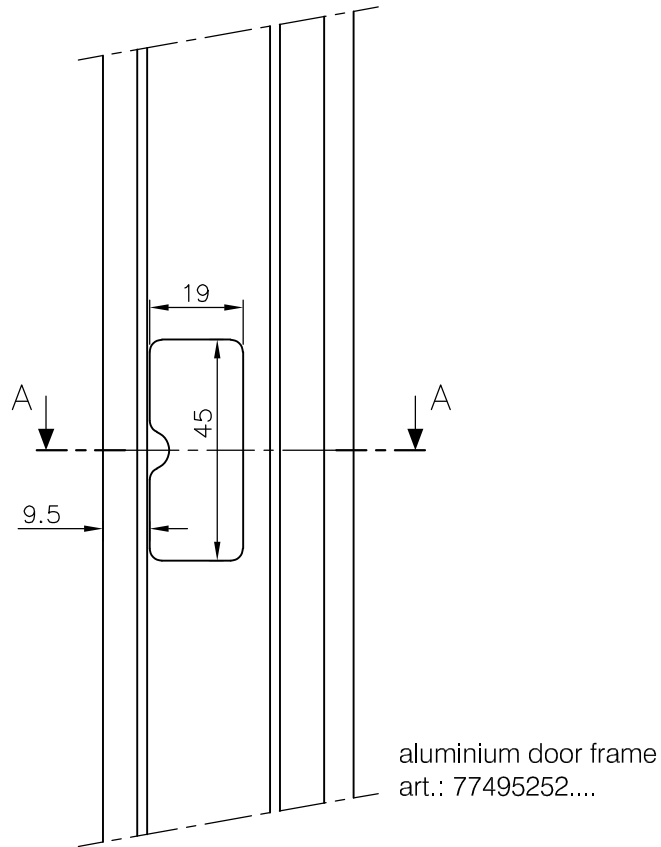
Glasbearbeitung:  
 Glass preparation:



\*Empfohlene Türdrücker Höhe  
 \*Recommended door handle height

Art. 77452210902-10  
Art. 77452210902-12  
Art. 77452210902-26

**Detail Aluminium Zarge:**  
Detail aluminium frame:



**G-FITTINGS GmbH**

Marie-Curie-Straße 16-18  
46446 Emmerich am Rhein  
T +49 (0)2822 962 0  
F +49 (0)2822 962 221  
E sales@g-fittings.com