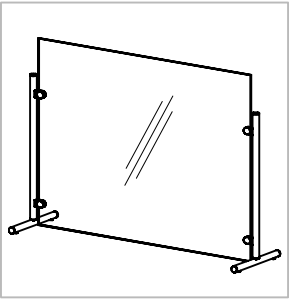


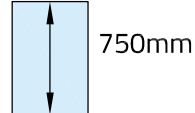
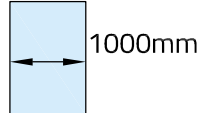
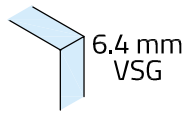
Technische Daten:  
Hygiene Schutz - ANATHALIE

Art. 77200690025-20  
Art. 77200690025-21  
Art. 77200690025-22  
Art. 77200690025-23  
Art. 77200690025-26

Datasheet:  
Hygiene protection - ANATHALIE



Ausführung:  
Options:

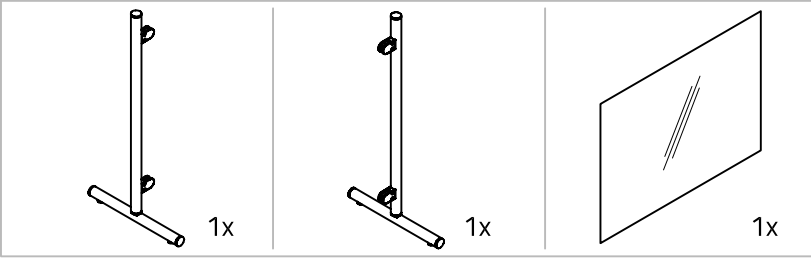


Material: V2A  
Material: Stainless steel AISI 304

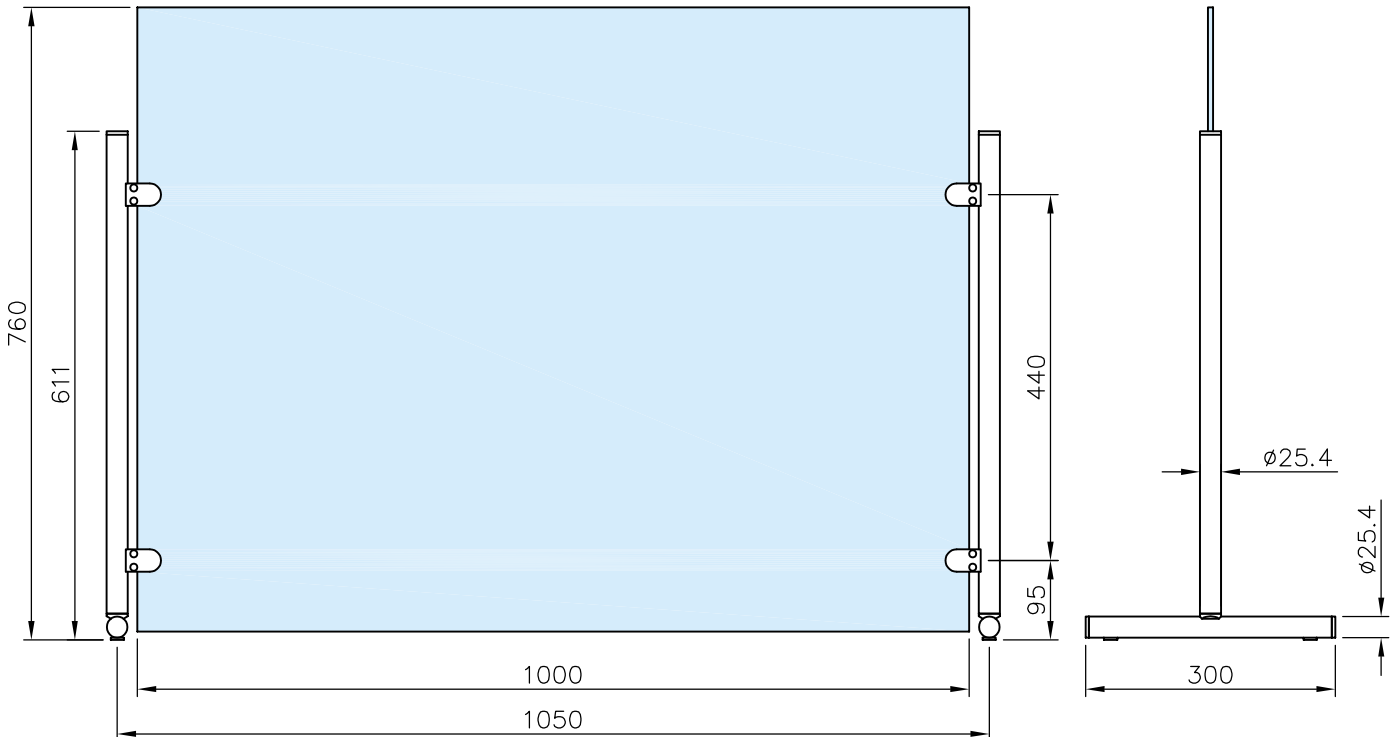
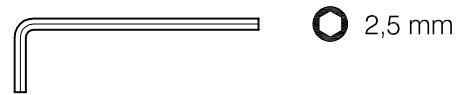
Gewicht: / Weight: 13,3 kg

Oberflächen: Finish:	Edelstahl-Design Stainless steel design	Messing matt-Design Matt brass design	Messing-Design Brass design	Chrom-Design Chrome design	Anthrazit-Design Anthracite design
-------------------------	--	--	--------------------------------	-------------------------------	---------------------------------------

Im Lieferumfang enthalten - Scope of supply

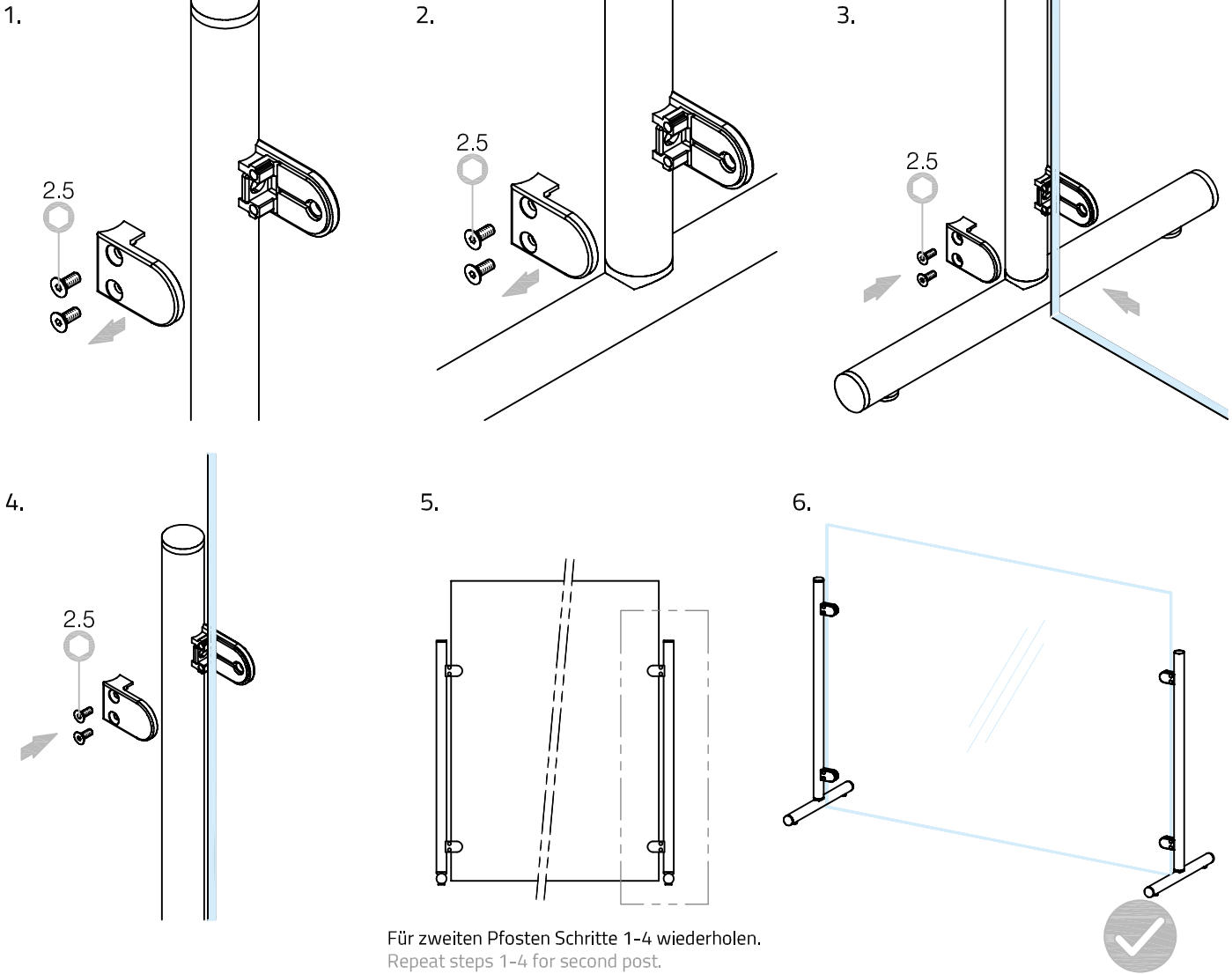


Montagewerkzeug - Mounting tools



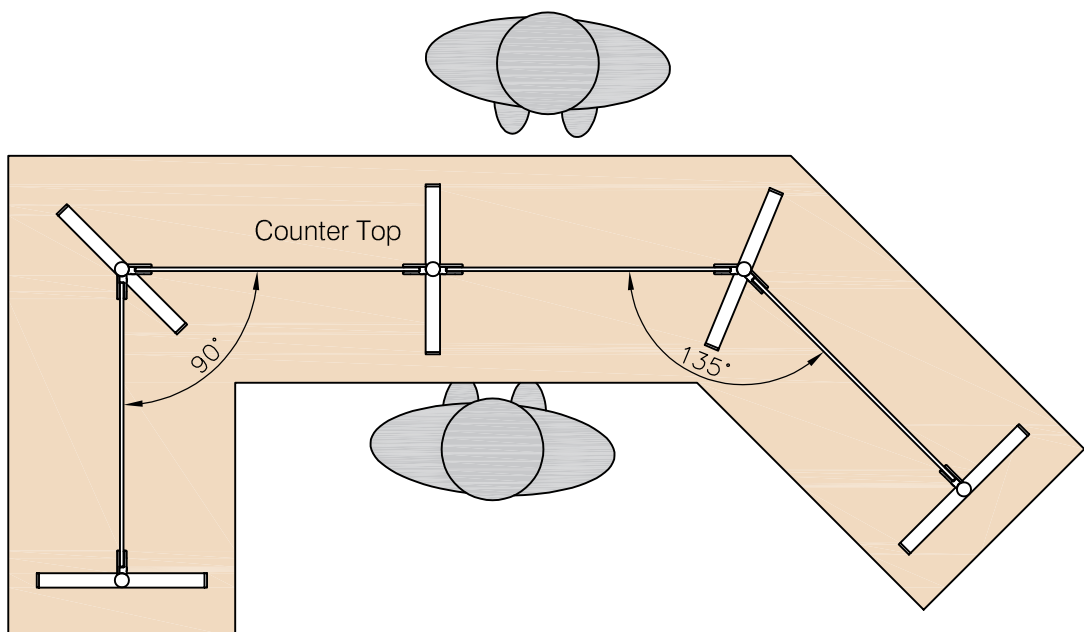
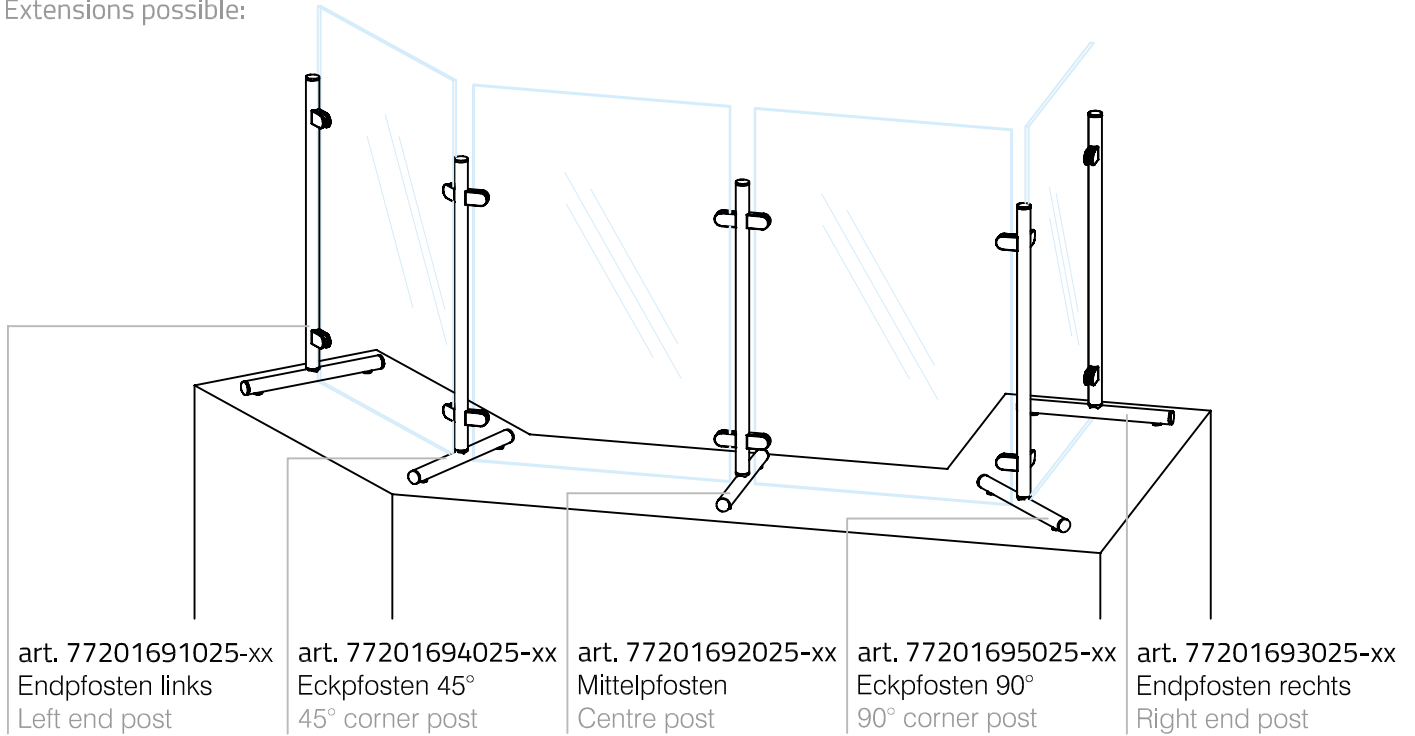
Art. 77200690025-20  
Art. 77200690025-21  
Art. 77200690025-22  
Art. 77200690025-23  
Art. 77200690025-26

Montage:  
Installation:



Art. 77200690025-20  
 Art. 77200690025-21  
 Art. 77200690025-22  
 Art. 77200690025-23  
 Art. 77200690025-26

**Erweiterungen möglich:**  
 Extensions possible:


**G-FITTINGS GmbH**

Marie-Curie-Straße 16-18  
 46446 Emmerich am Rhein  
 T +49 (0)2822 962 0  
 F +49 (0)2822 962 221  
 E sales@g-fittings.com