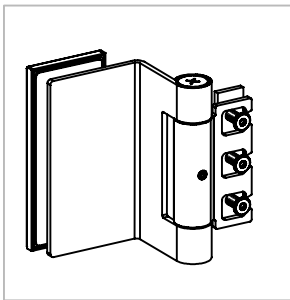


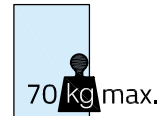
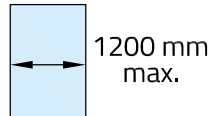
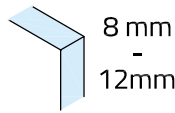
Technische Daten:  
Türscharnier - ANNELIESE

Datasheet:  
Door hinge - ANNELIESE

Art. 77452705000-12  
Art. 77452705000-26



Ausführung:  
Options:

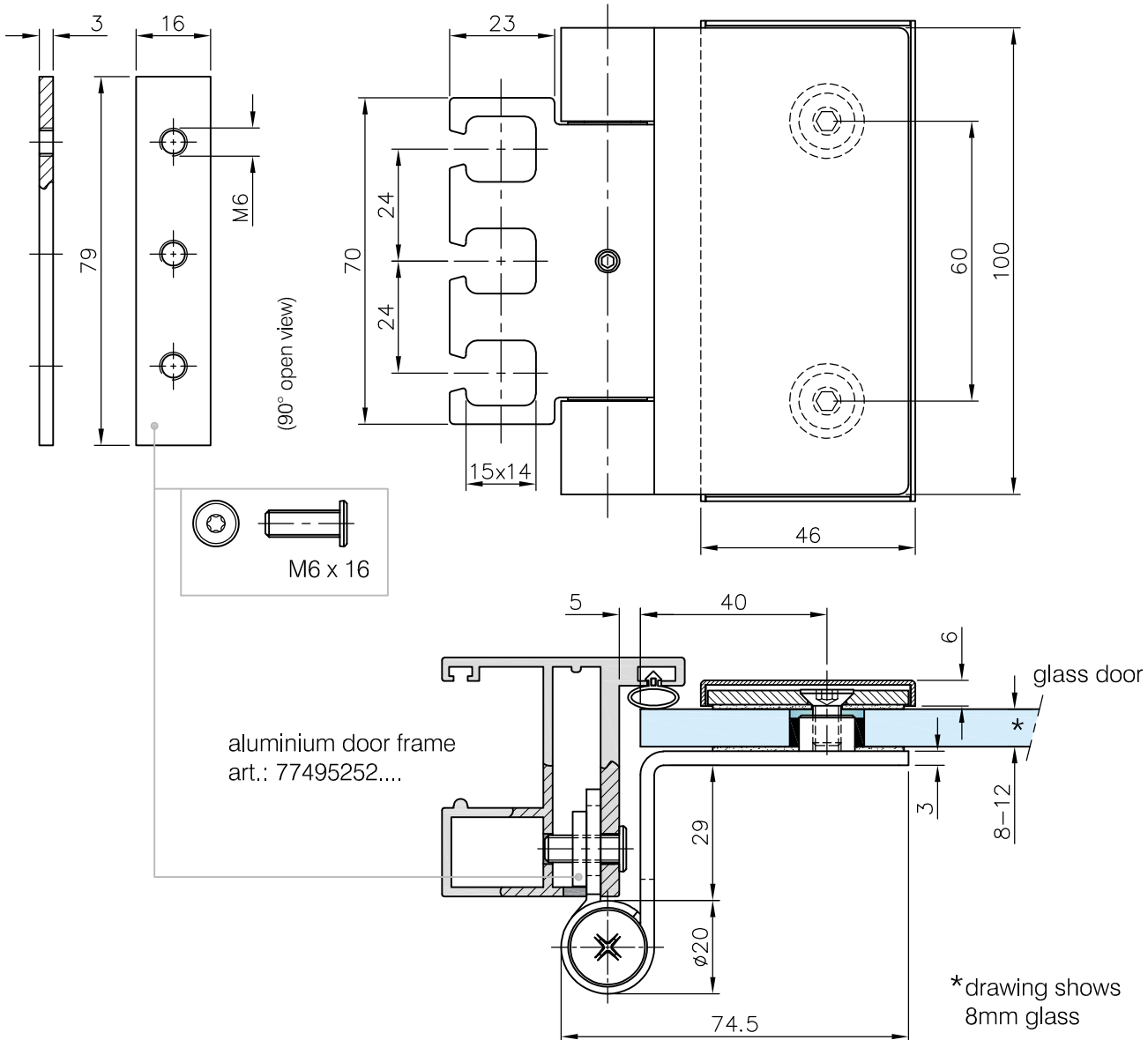


Material: V2A  
Material: Stainless steel AISI 304

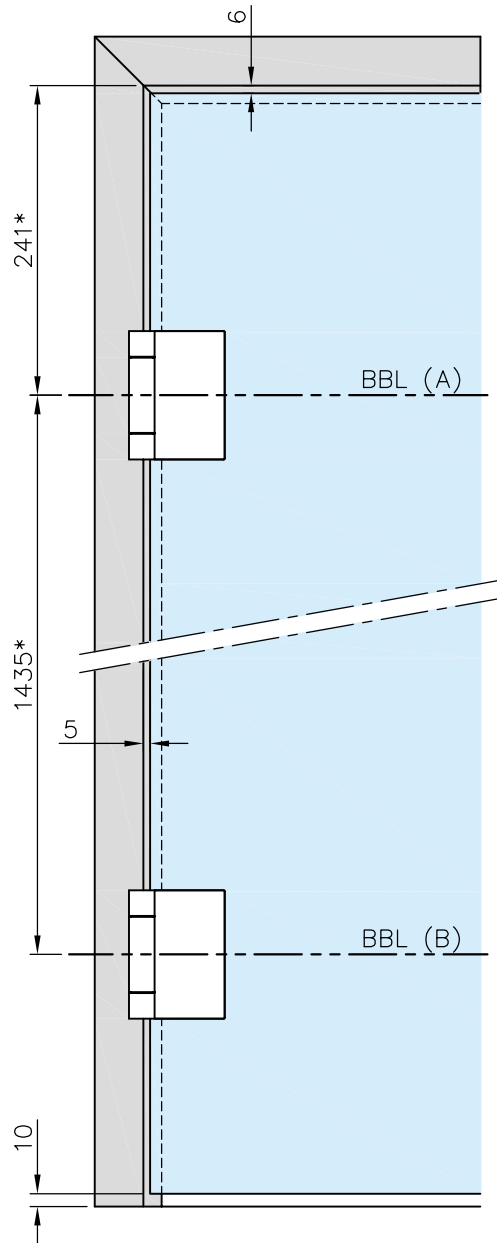
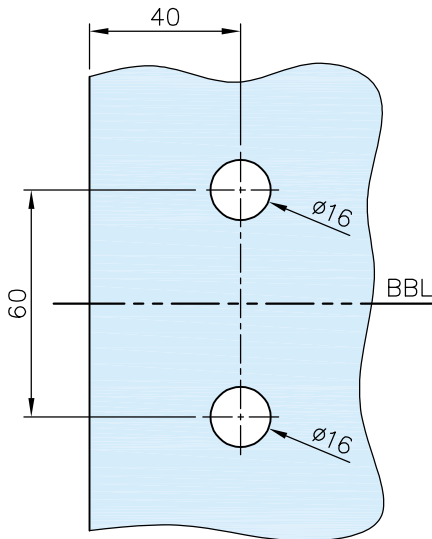
Gewicht: / Weight: 0,615 kg

Oberflächen:  
Finish: Edelstahl-Design  
Stainless steel design

Anthrazit-Design  
Anthracite design



Glasbearbeitung:  
Glass preparation:

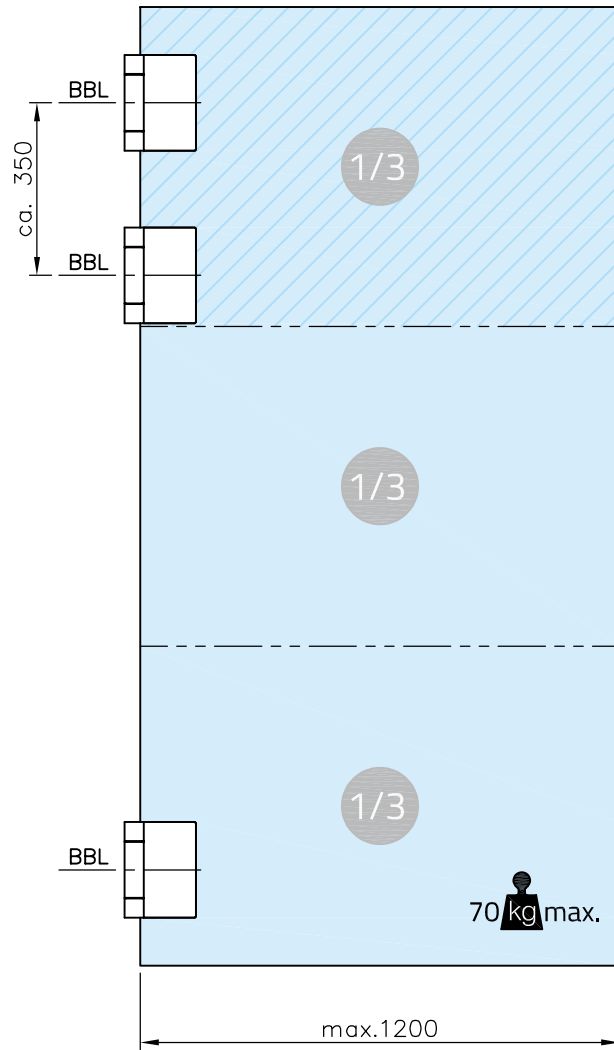
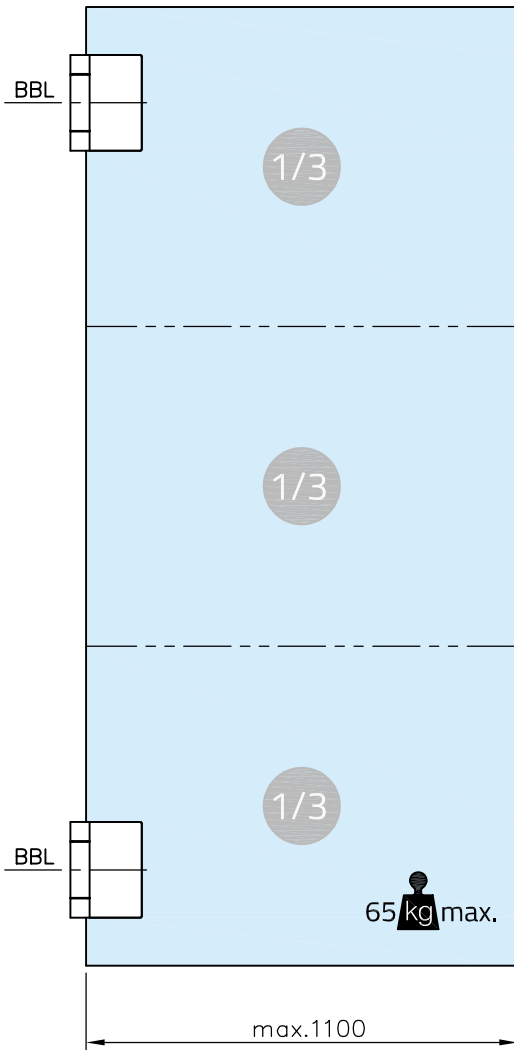


Empfehlungsmaße entsprechend \*DIN 18268  
Recommended dimensions according to \*DIN 18268

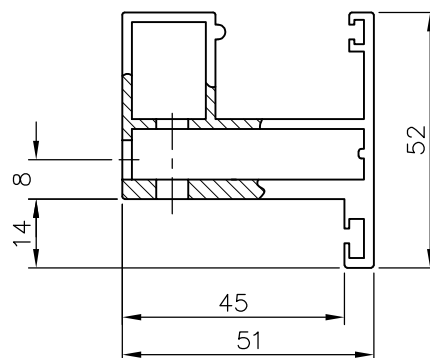
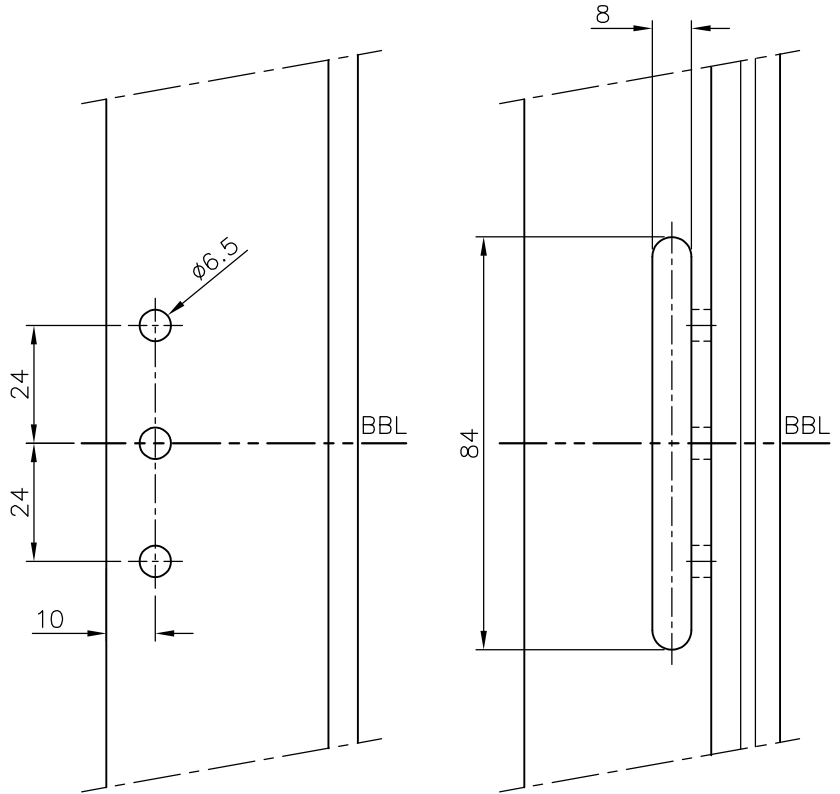
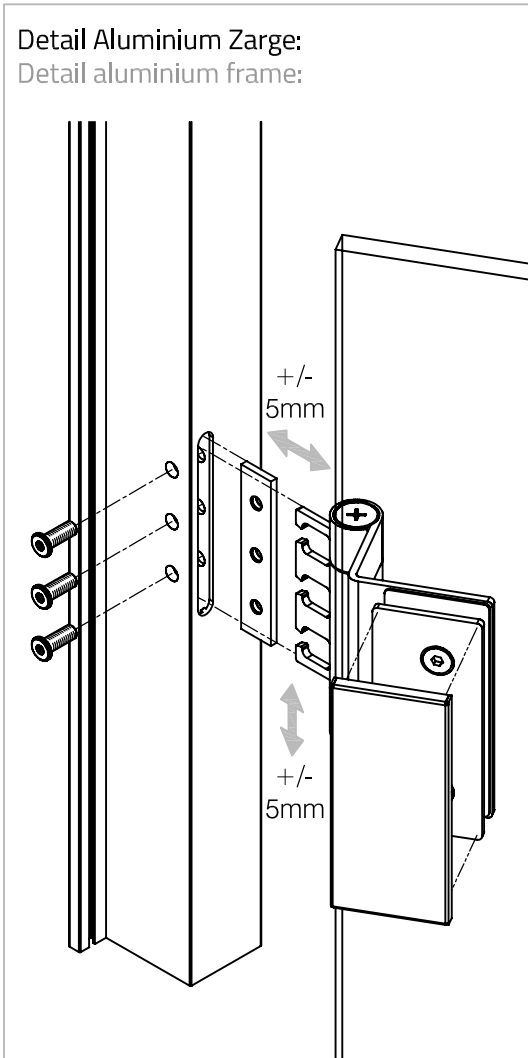
Glastürhöhe Glass door height	Abstand Zargenfalz - BBL(A) distance frame rebate - BBL(A)	Abstand BBL(A) - BBL(B) distance BBL(A) - BBL(B)
1860 mm - 2110 mm	241 +1 mm	1435 mm ±0,5 mm
2111 mm - 2235 mm	241 +1 mm	1560 mm ±0,5 mm
2236 mm - 2360 mm	241 +1 mm	1685 mm ±0,5 mm

Art. 77452705000-12  
Art. 77452705000-26

Breite/Ausladung:  
Width/extension:



Art. 77452705000-12  
 Art. 77452705000-26

**Detail Aluminium Zarge:**  
 Detail aluminium frame:

 aluminium door frame  
 art.: 77495252....

**G-FITTINGS GmbH**

 Marie-Curie-Straße 16-18  
 46446 Emmerich am Rhein  
 T +49 (0)2822 962 0  
 F +49 (0)2822 962 221  
 E sales@g-fittings.com