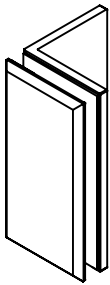


Technische Daten:
Winkerverbinder 90° - ANNABELL

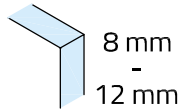
Datasheet:
Corner clamp 90° - ANNABELL

Art. 77404122090-10
Art. 77404122090-12
Art. 77404122090-21
Art. 77404122090-26

Stand 09.2023



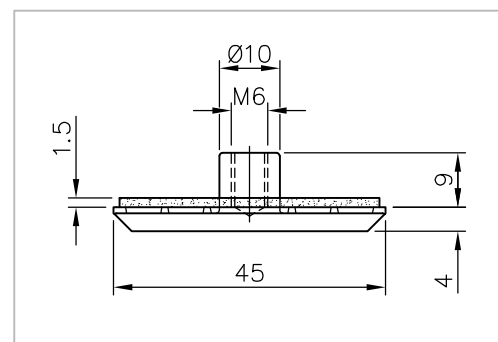
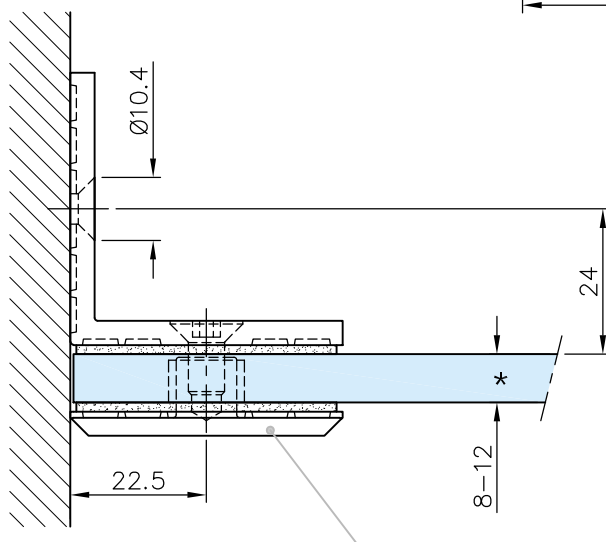
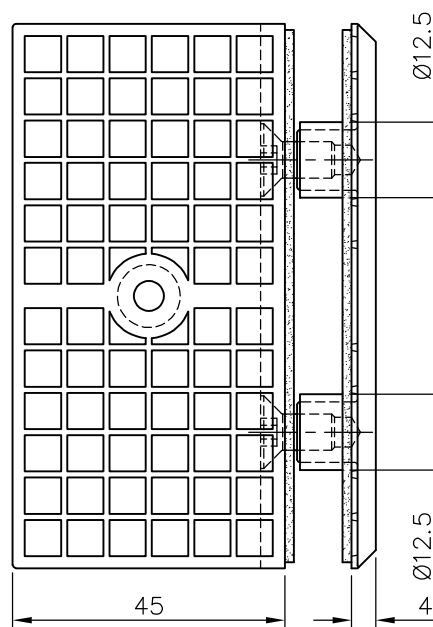
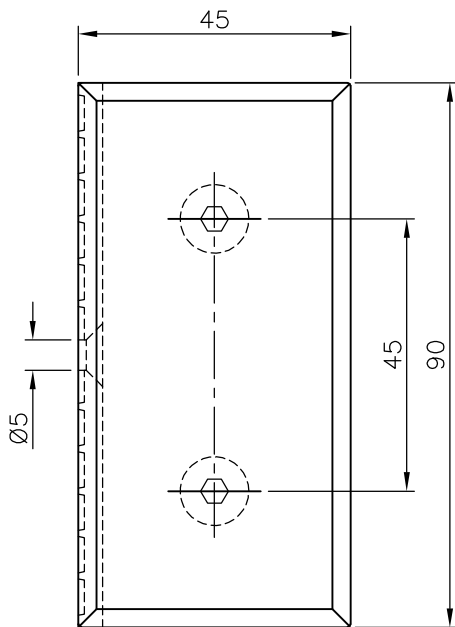
Ausführung:
Options:



Material: V2A
Material: Stainless steel AISI 304

Gewicht: / Weight: 0,320 kg

Oberflächen: Finish:	Edelstahl-Design Stainless steel design	Chrom-Design Chrome design	Anthrazit-Design Anthracite design	Messing matt-Design Matt brass design
-------------------------	--	-------------------------------	---------------------------------------	--

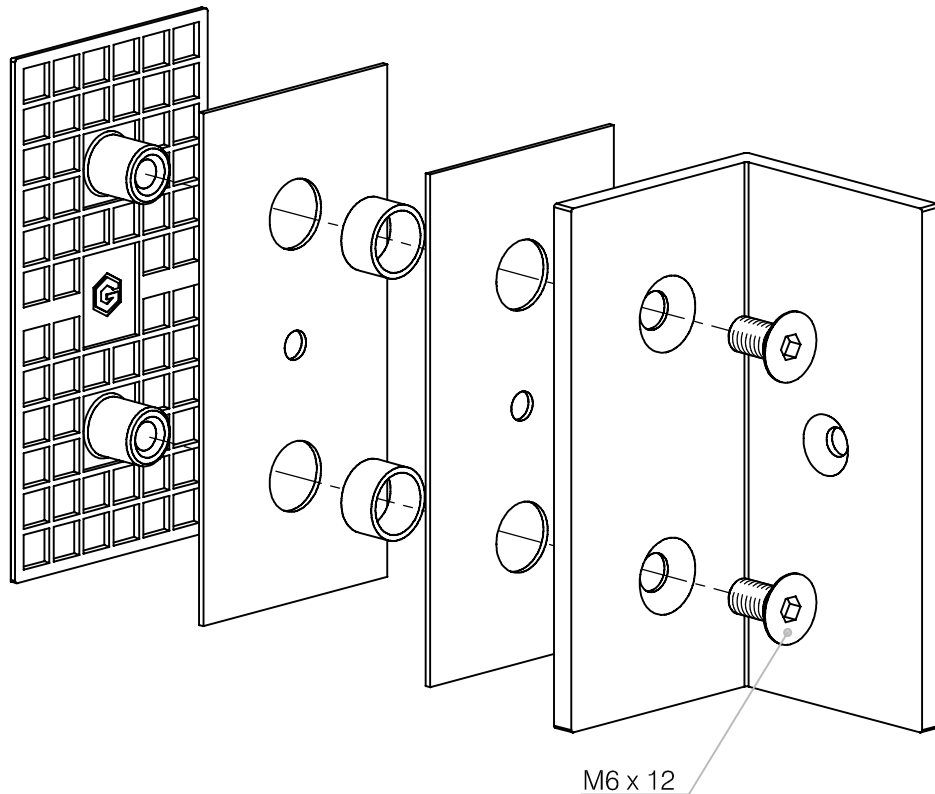
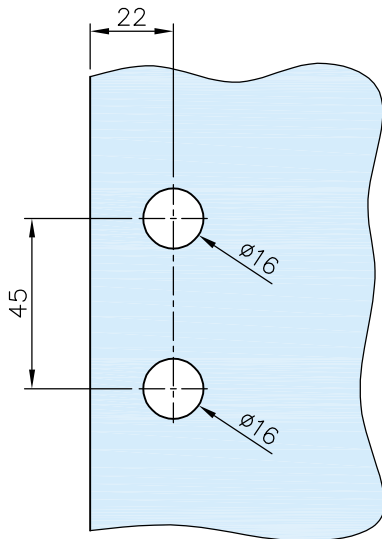


* drawing shows
8mm glass

Art. 77404122090-10
 Art. 77404122090-12
 Art. 77404122090-21
 Art. 77404122090-26

Stand 09.2023

Glasbearbeitung:
 Glass preparation:


G-FITTINGS GmbH

Marie-Curie-Straße 16-18
 46446 Emmerich am Rhein
 T +49 (0)2822 962 0
 F +49 (0)2822 962 221
 E sales@g-fittings.com