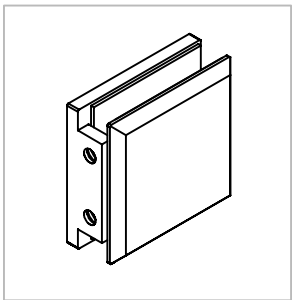


Technische Daten:
Winkerverbinder 90° - SONA

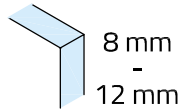
Datasheet:
Corner clamp 90° - SONA

Art. 77404115090-10
Art. 77404115090-12
Art. 77404115090-21
Art. 77404115090-26

Stand 09.2023



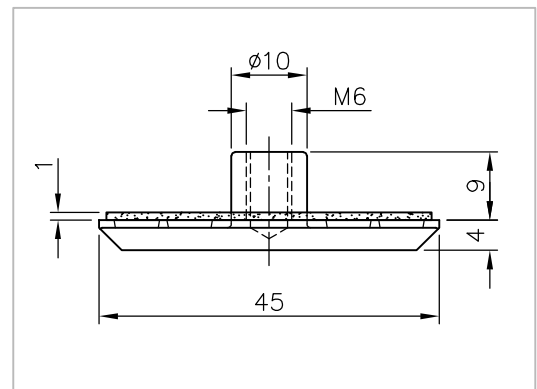
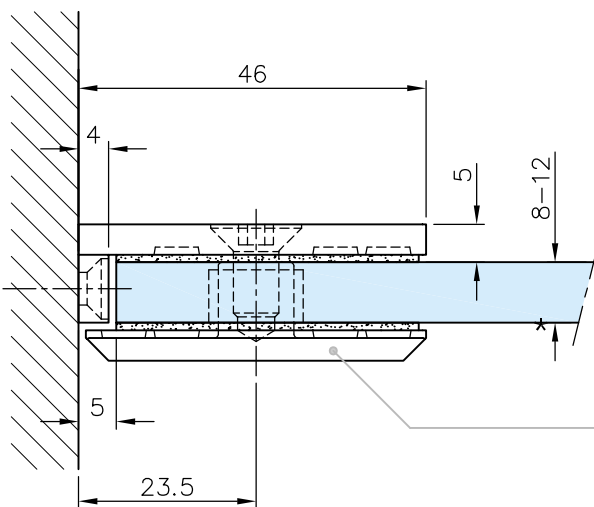
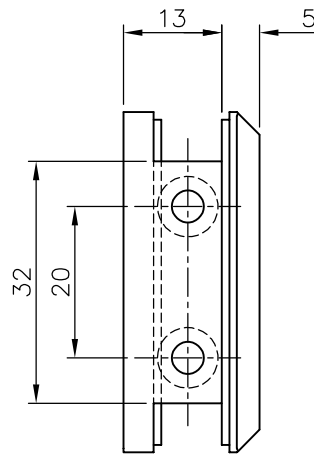
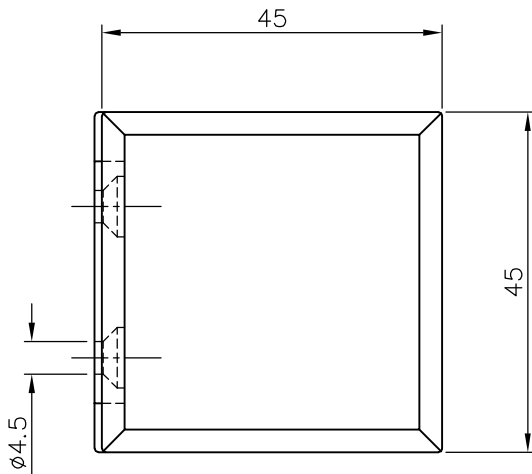
Ausführung:
Options:



Material: V2A
Material: Stainless steel AISI 304

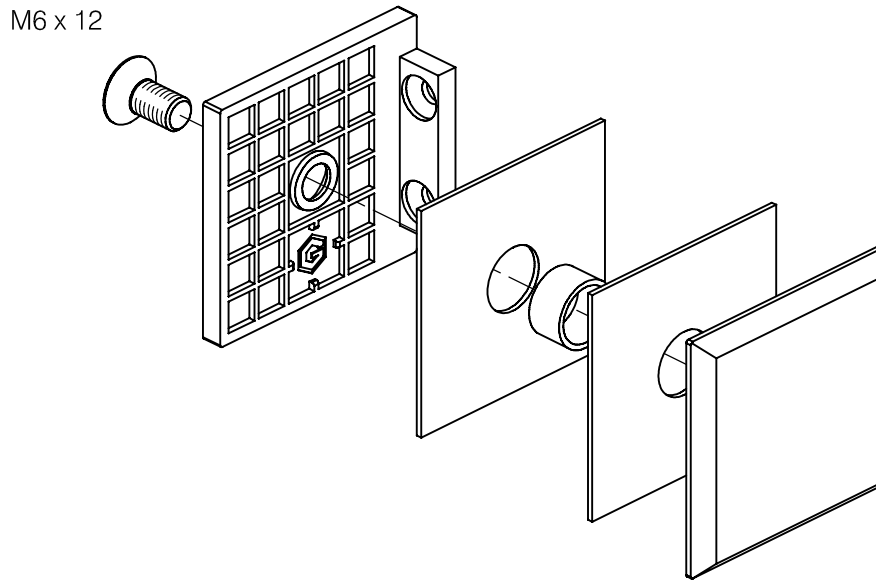
Gewicht: / Weight: 0,120 kg

Oberflächen: Finish:	Edelstahl-Design Stainless steel design	Chrom-Design Chrome design	Anthrazit-Design Anthracite design	Messing matt-Design Matt brass design
-------------------------	--	-------------------------------	---------------------------------------	--

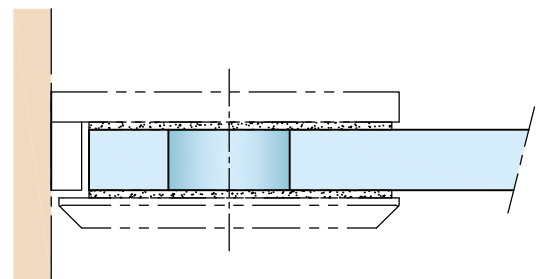
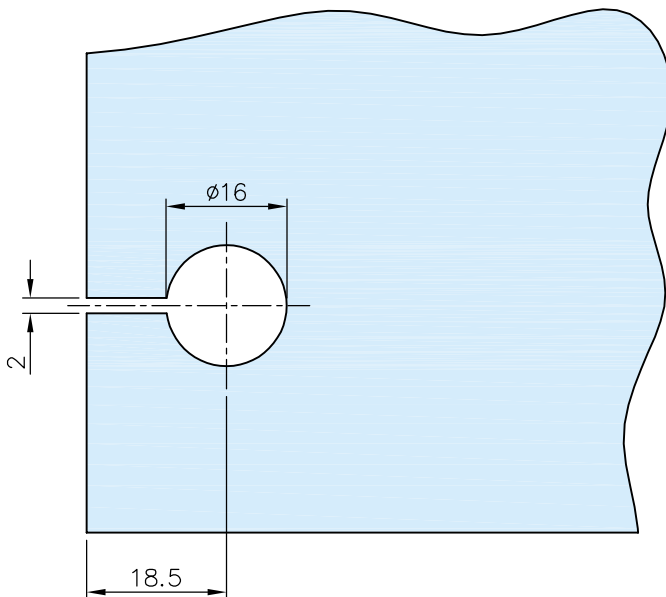


* drawing shows 8mm glass

Art. 77404115090-10
Art. 77404115090-12
Art. 77404115090-21
Art. 77404115090-26



Glasbearbeitung:
Glass preparation:



G-FITTINGS GmbH

Marie-Curie-Straße 16-18
46446 Emmerich am Rhein
T +49 (0)2822 962 0
F +49 (0)2822 962 221
E sales@g-fittings.com
www.g-fittings.com