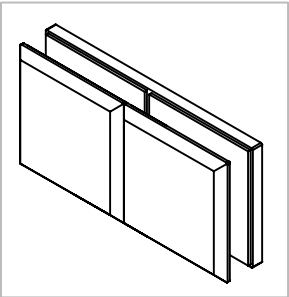


Technische Daten:
Winkerverbinder 180° - GARINA

Datasheet:
Corner clamp 180° - GARINA

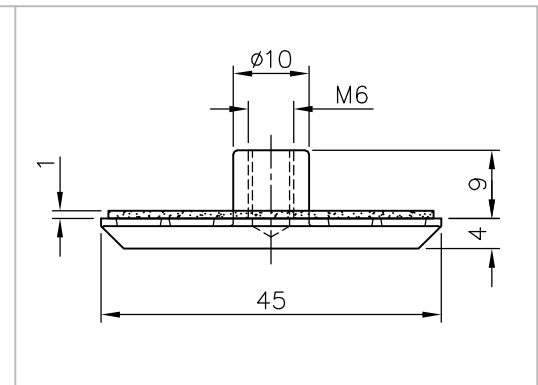
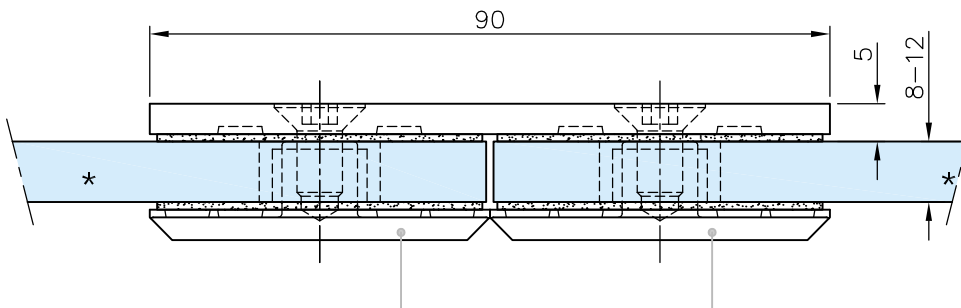
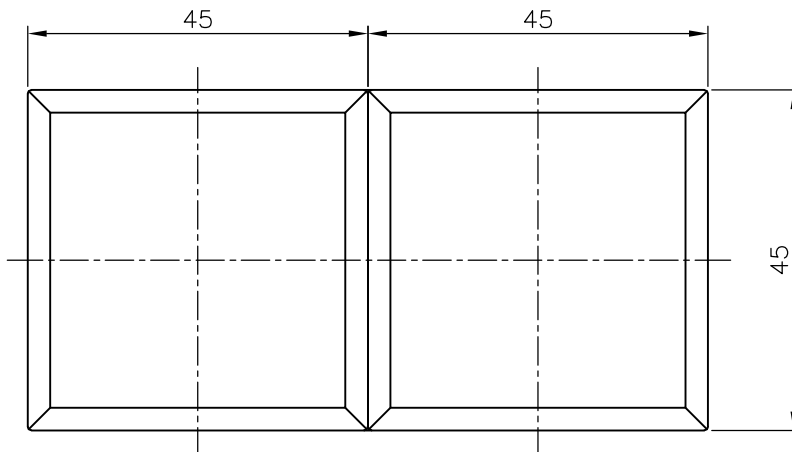
Art. 77404012180-10
Art. 77404012180-12
Art. 77404012180-21
Art. 77404012180-26



Ausführung:
Options:

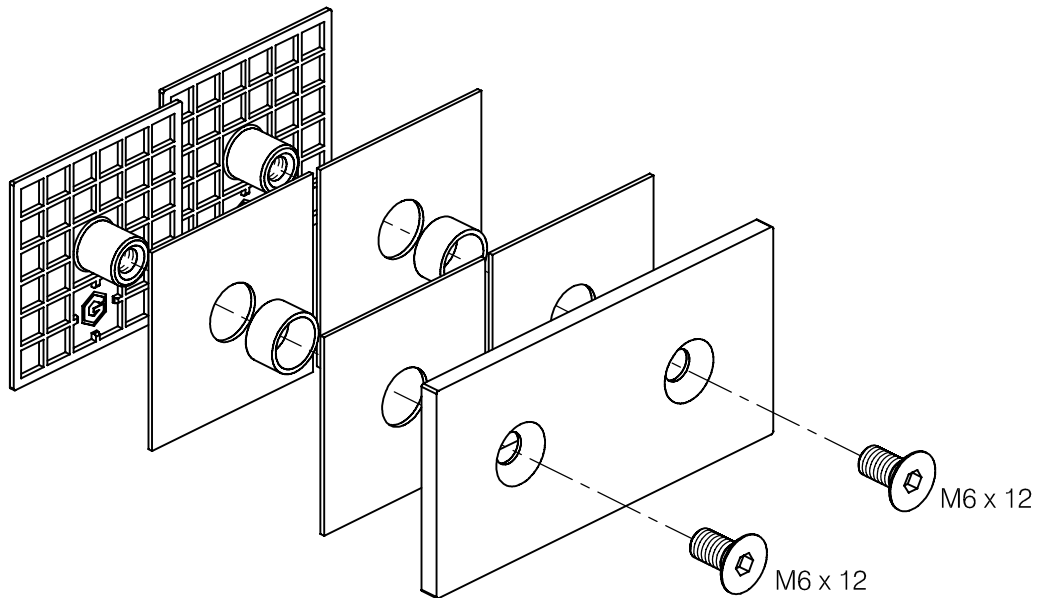
8 mm
12 mm

Material:	V2A	Gewicht: / Weight: 0,25 kg		
Material:	Stainless steel AISI 304			
Oberflächen:	Edelstahl-Design	Chrom-Design	Anthrazit-Design	Messing matt-Design
Finish:	Stainless steel design	Chrome design	Anthracite design	Matt brass design

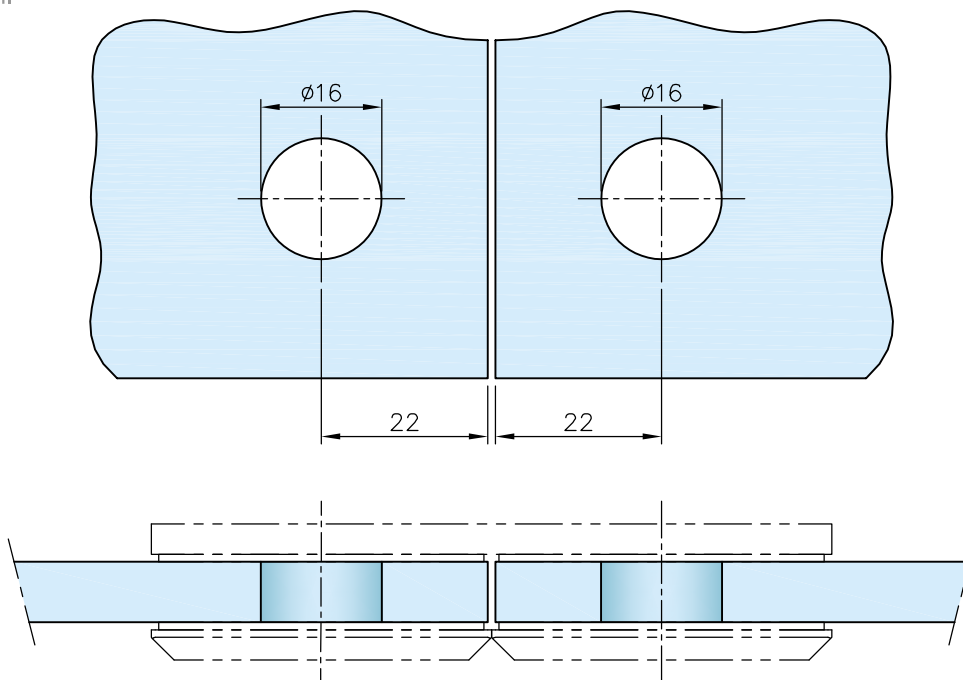


* drawing shows 8mm glass

Art. 77404012180-10
Art. 77404012180-12
Art. 77404012180-21
Art. 77404012180-26



Glasbearbeitung:
Glass preparation:



G-FITTINGS GmbH

Marie-Curie-Straße 16-18
46446 Emmerich am Rhein
T +49 (0)2822 962 0
F +49 (0)2822 962 221
E sales@g-fittings.com
www.g-fittings.com