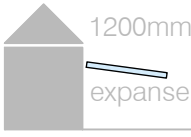
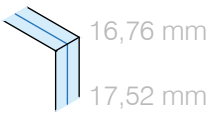
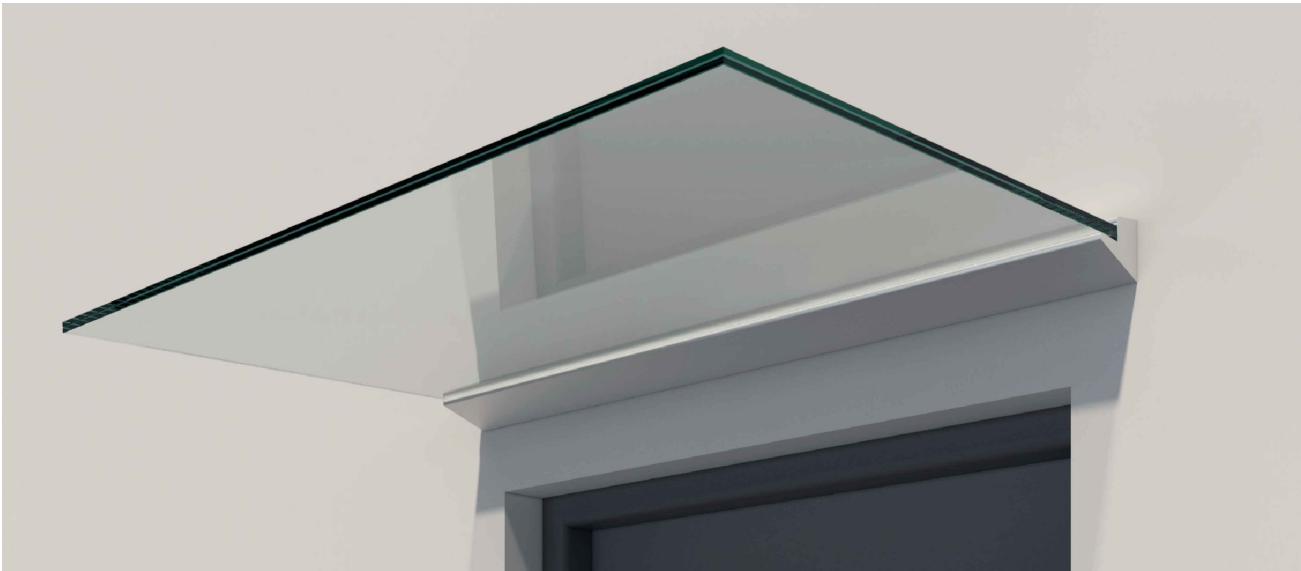



Montageanleitung:
Glas-Vordach - Nane

Installation manual:
Glass canopy - Nane

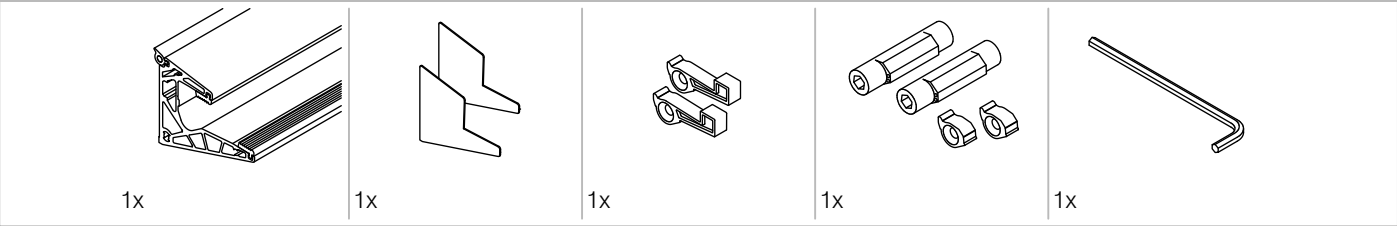
Art. 77441270150-xx
Art. 77441270300-xx



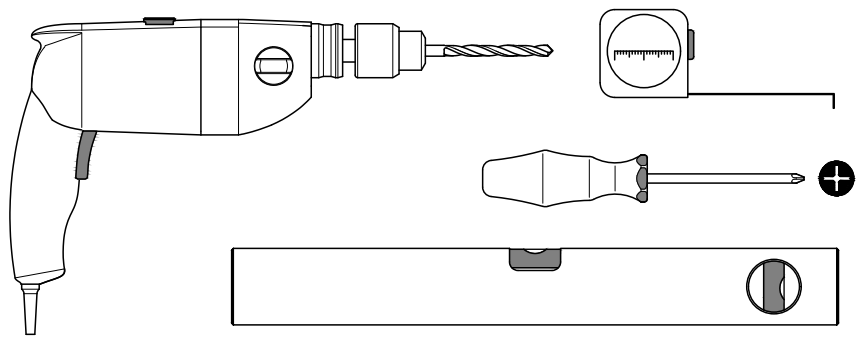
 Glasbohrung
Optional für
mehr Sicherheit

Glass drilling
optional for
more safety

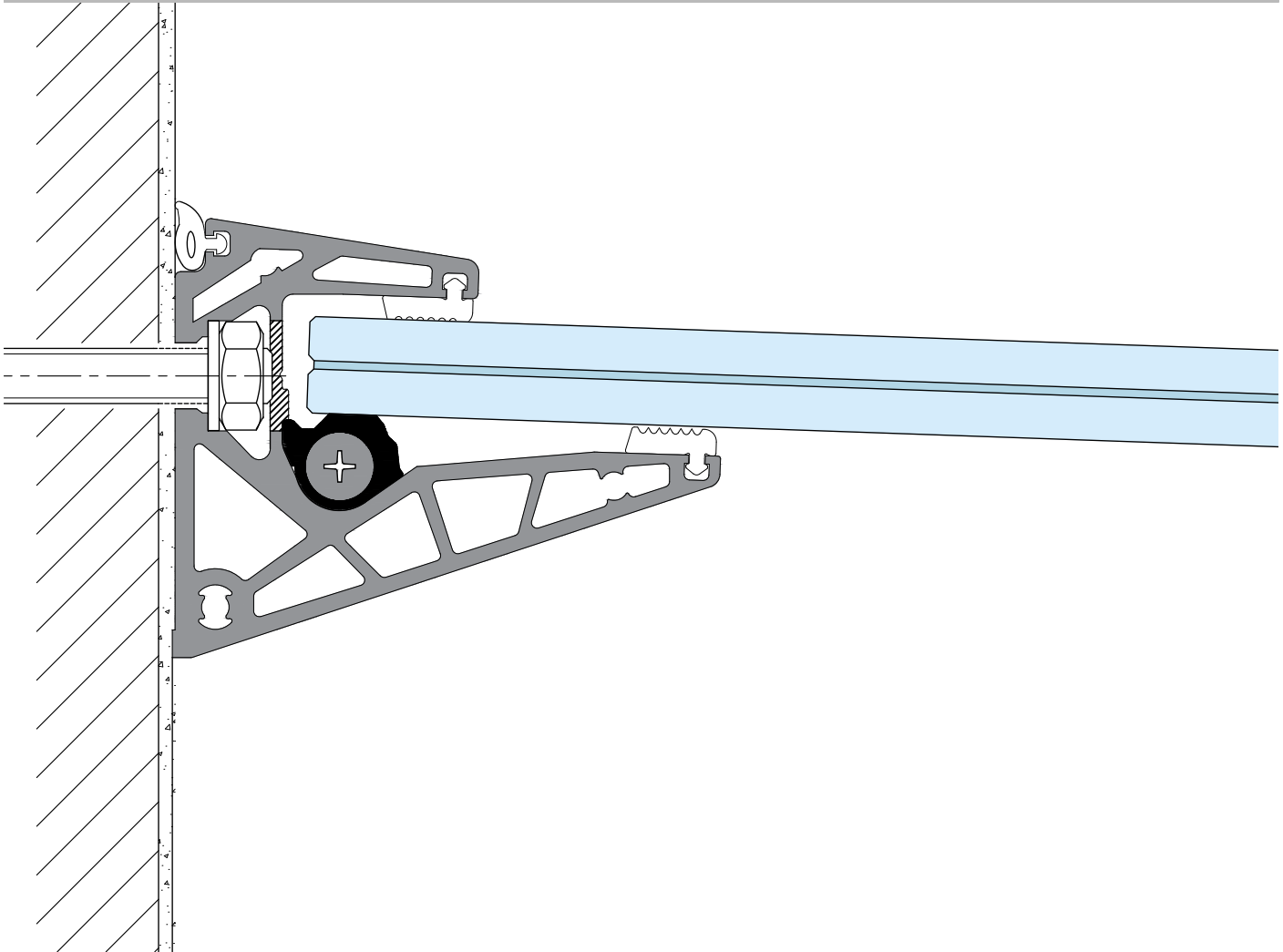
Im Lieferumfang enthalten - Scope of supply



Montagewerkzeug:
Mounting tools:



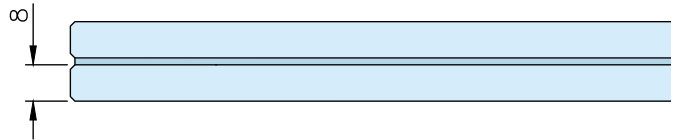
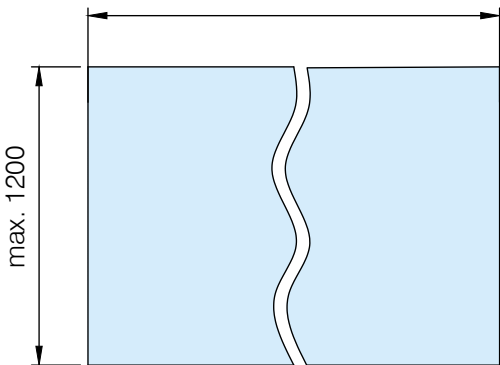
Zusammenbau - Assembly



Stand 05.2024

Glasbearbeitung - Glass preparation

L = Länge Basisprofil
L = length base profile



Wir empfehlen für die optimale Stabilität des Vordachsystems die Benutzung von gehärtetem und laminierten Glas 8+8+1.52 SG (Folie aus starrem Kunststoff z.B. SentryGlas®)

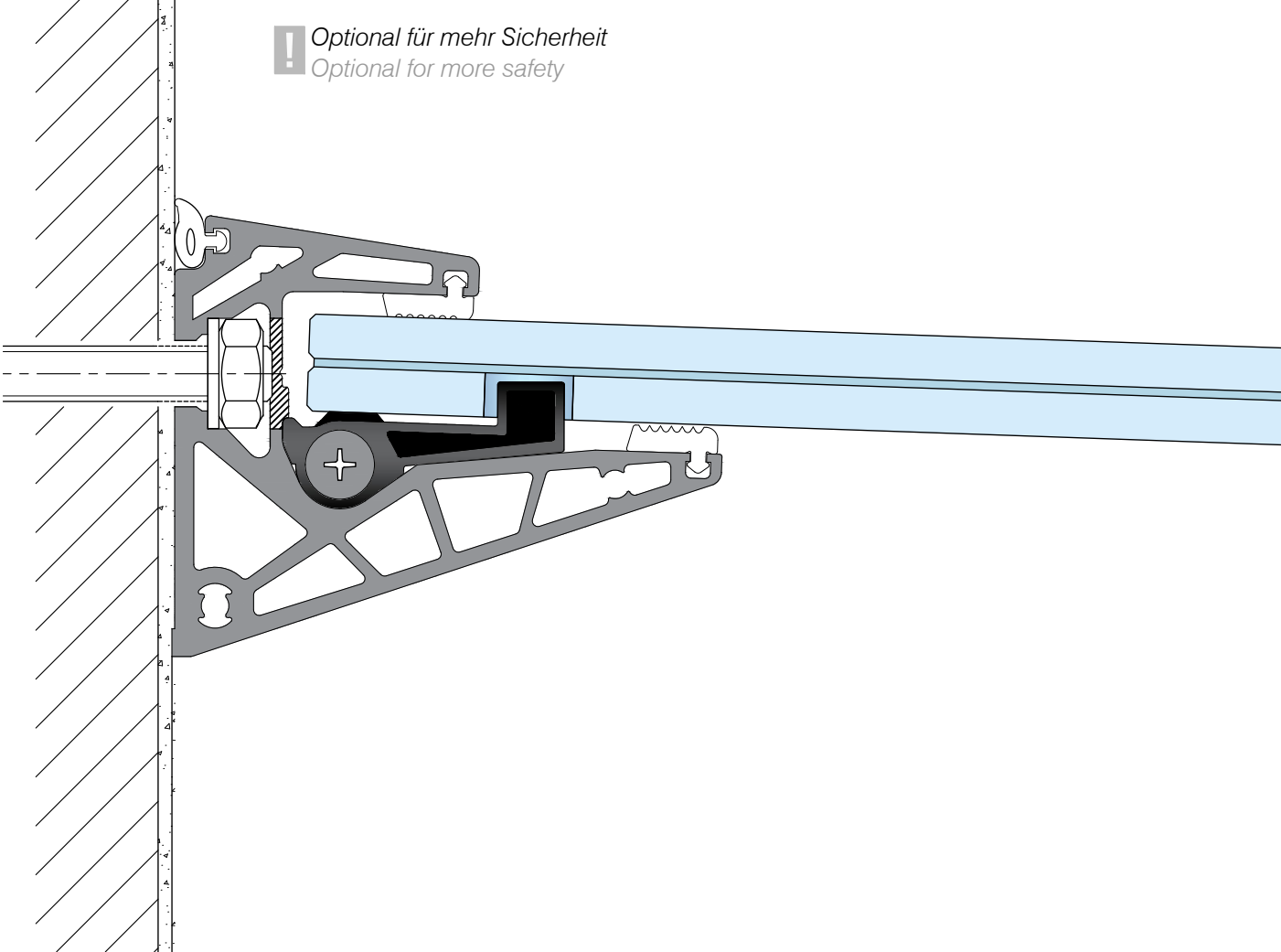
We recommend the use of tempered and laminated glass 8+8+1.52 SG (rigid plastic film - e.g. SentryGlas®) for optimum canopy system stability.

Projecting roof systems

Stand 05.2024

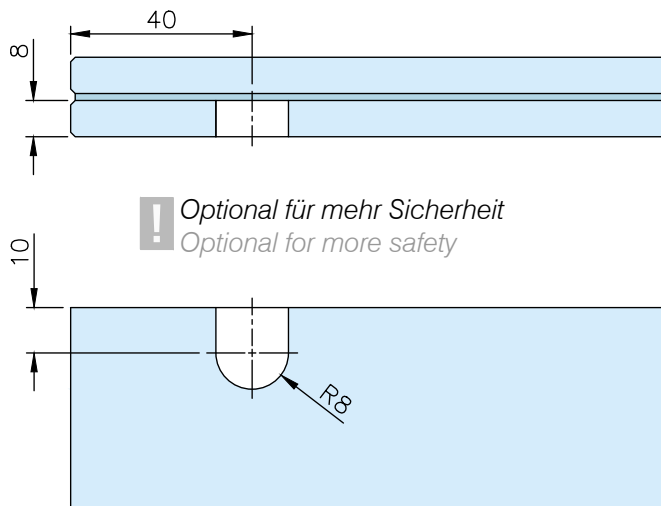
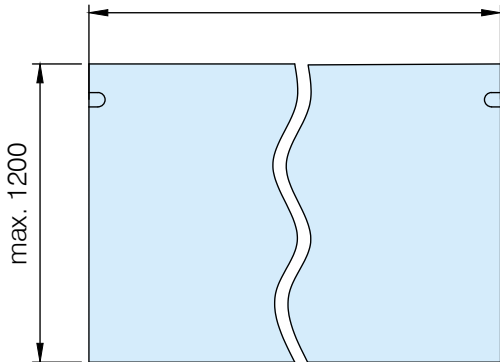
Zusammenbau - Assembly - OPTIONAL

! *Optional für mehr Sicherheit*
Optional for more safety



Glasbearbeitung - Glass preparation - OPTIONAL

L = Länge Basisprofil
 L = length base profile

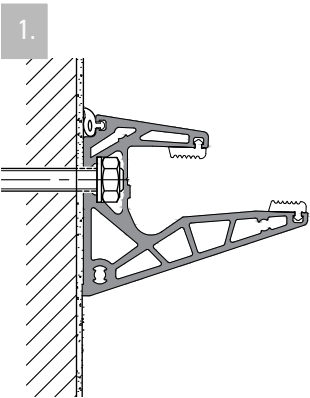
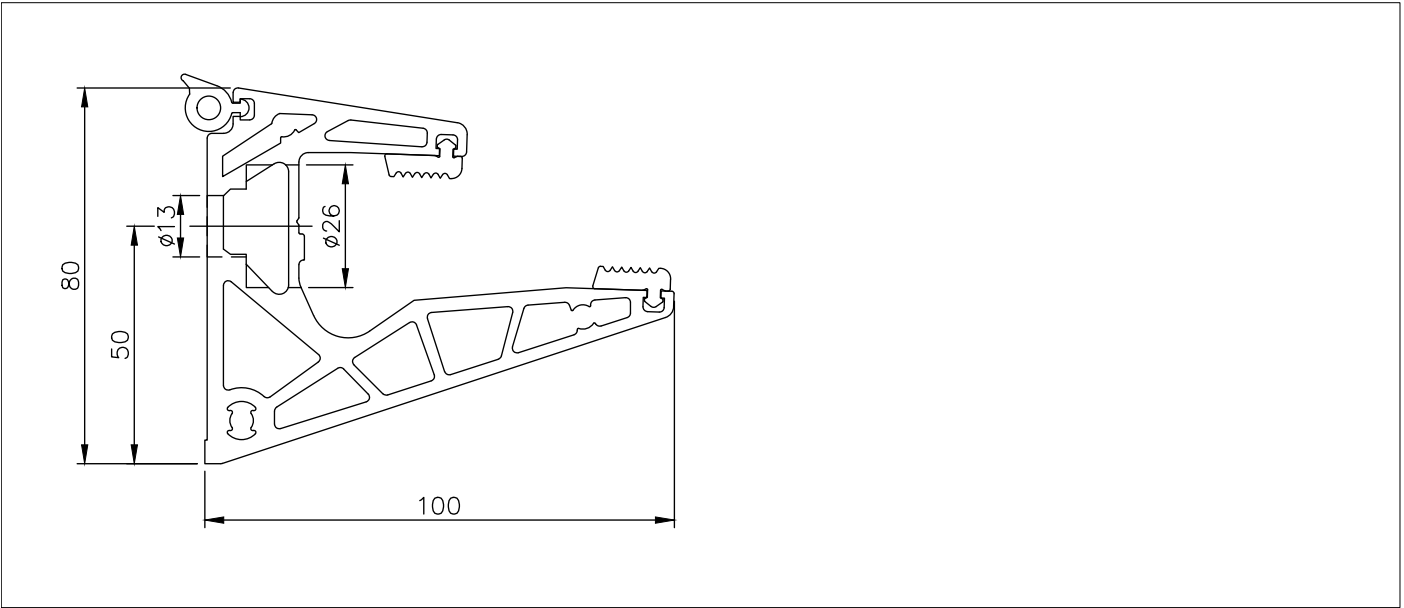


! *Optional für mehr Sicherheit*
Optional for more safety

! Wir empfehlen für die optimale Stabilität des Vordachsystems die Benutzung von gehärtetem und laminierten Glas 8+8+1.52 SG (Folie aus starrem Kunststoff z.B. SentryGlas®)

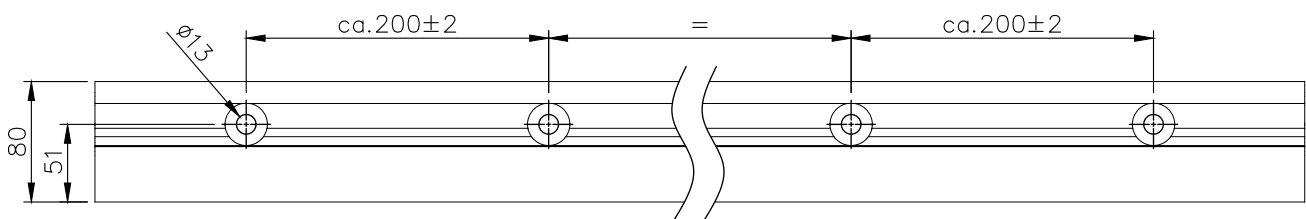
We recommend the use of tempered and laminated glass 8+8+1.52 SG (rigid plastic film - e.g. SentryGlas®) for optimum canopy system stability.

Druckfehler und technische Änderungen vorbehalten / With reservation of printing errors and technical changes.



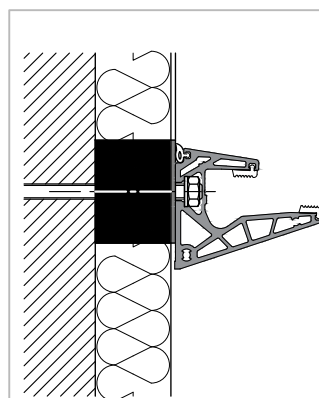
Das Basisprofil mit statisch geeignetem Befestigungs-Ankern* an der Wand befestigen. Dabei müssen alle Montage Bohrlöcher benutzt werden. Das Profil sollte als "Bohrschablone" verwendet werden. Die Abmessung von 200mm zwischen den Montagelöchern gilt nur als circa Maß.

Fasten the base profile to the wall with statically suitable fixing anchors*. All mounting holes must be used. The profile should be used as a "drilling template". The dimension of 200mm between the mounting holes is only an approximate measurement.



! * Die Verwendbarkeit der Schrauben muss grundsätzlich vom Monteur geprüft und der Beschaffenheit des tragenden Baukörpers angepasst werden. Wir übernehmen ausdrücklich keine Haftung für Schäden die aus unsachgemäßer Montage resultieren. Die Montage sollte nur von einem Fachmann durchgeführt werden.

* The usability of the screws must always be checked by the installer and adapted to the condition of the load-bearing structure. We expressly accept no liability for damage resulting from improper installation. Installation should only be carried out by a specialist.



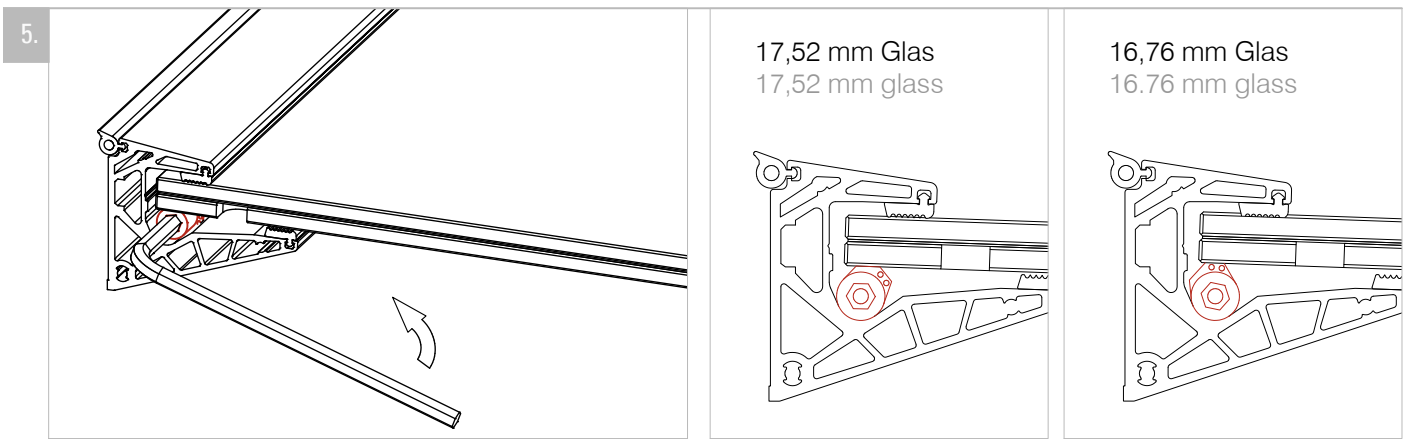
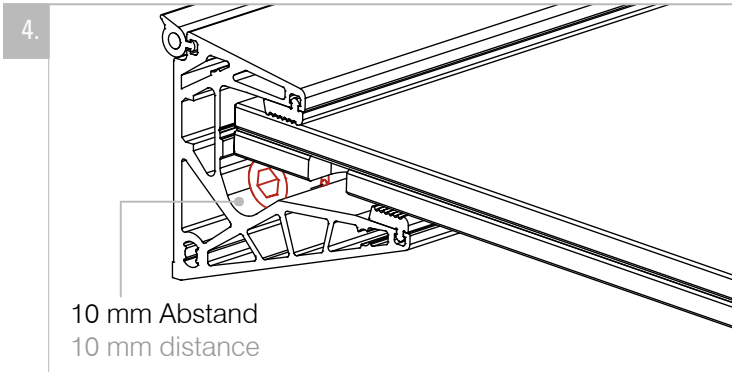
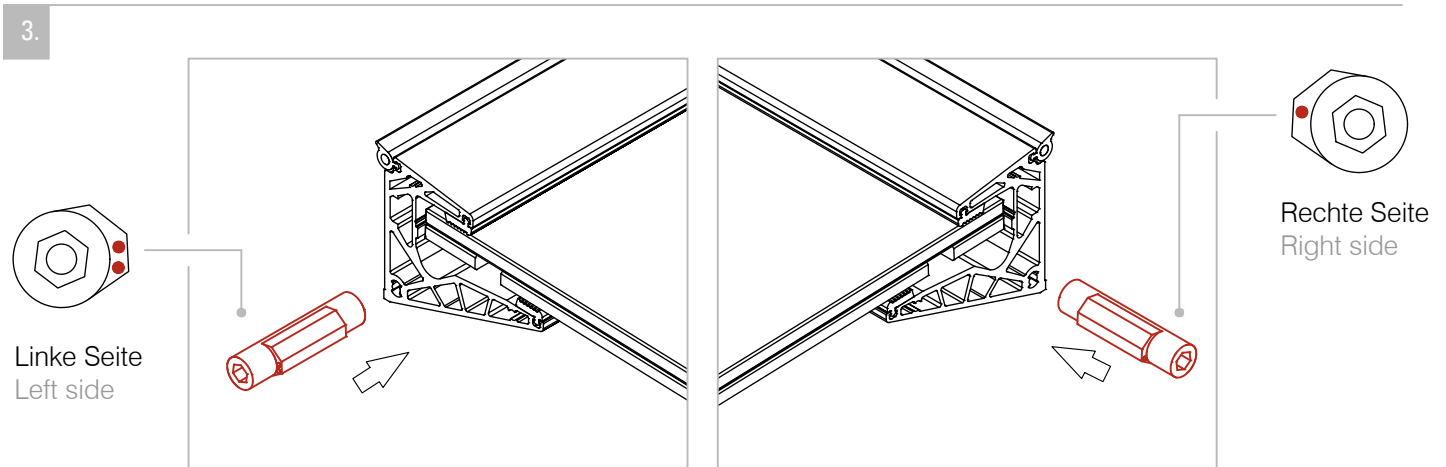
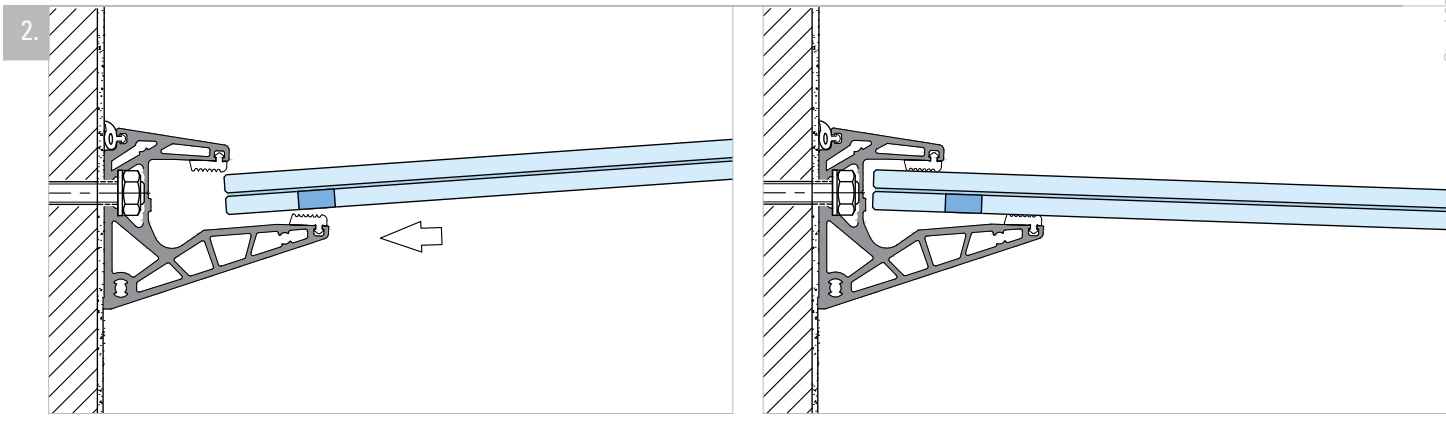
Bei der Montage auf Wärmedämmverbundsystemen (WDVS) empfehlen wir die Verwendung von HIK Iso-Konsolen der Firma HILTI. Mehr Infos unter: www.hilti.de

For installation on external thermal insulation systems we recommend the use of HIK Iso brackets from HILTI. More information at: www.hilti.de



Projecting roof systems

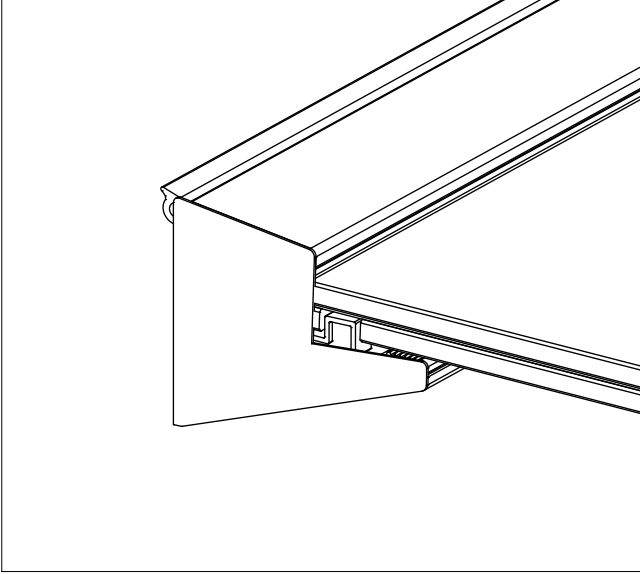
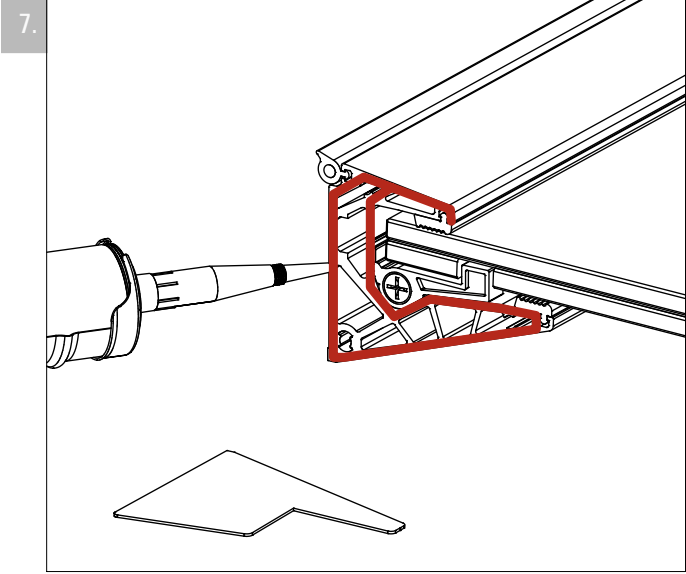
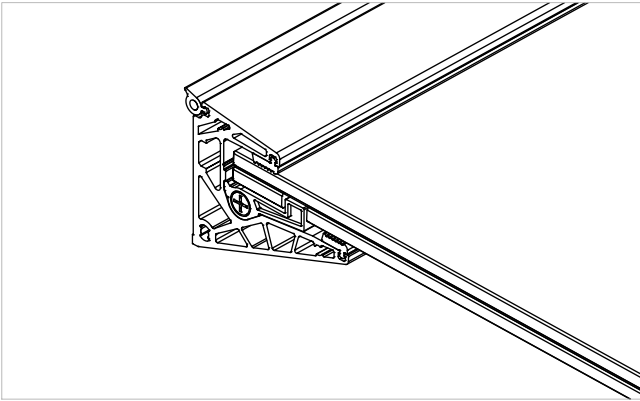
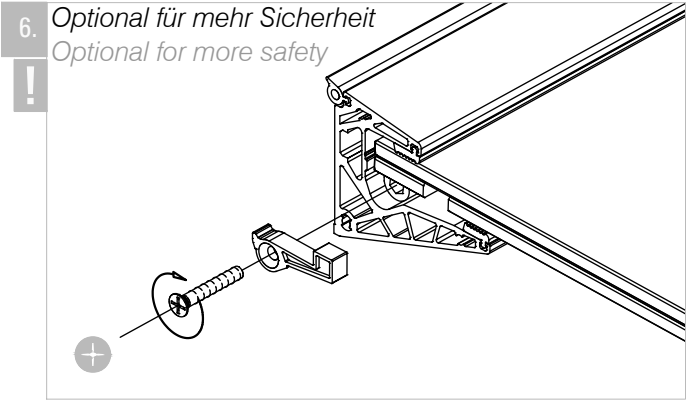
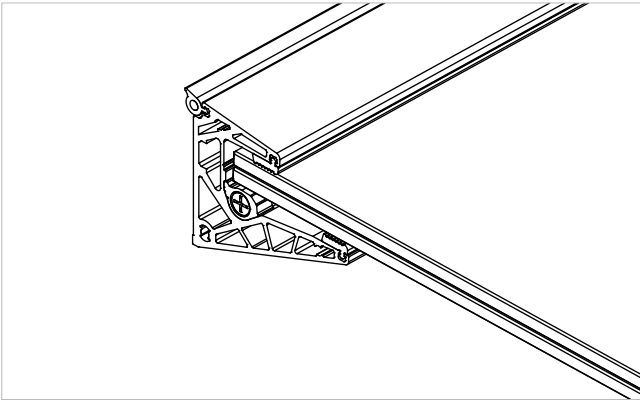
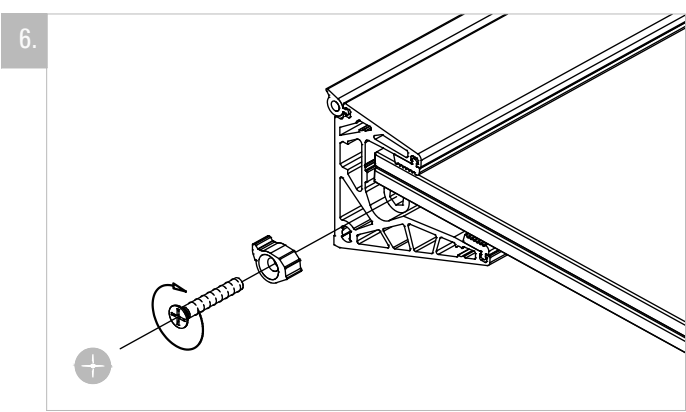
Stand 05.2024



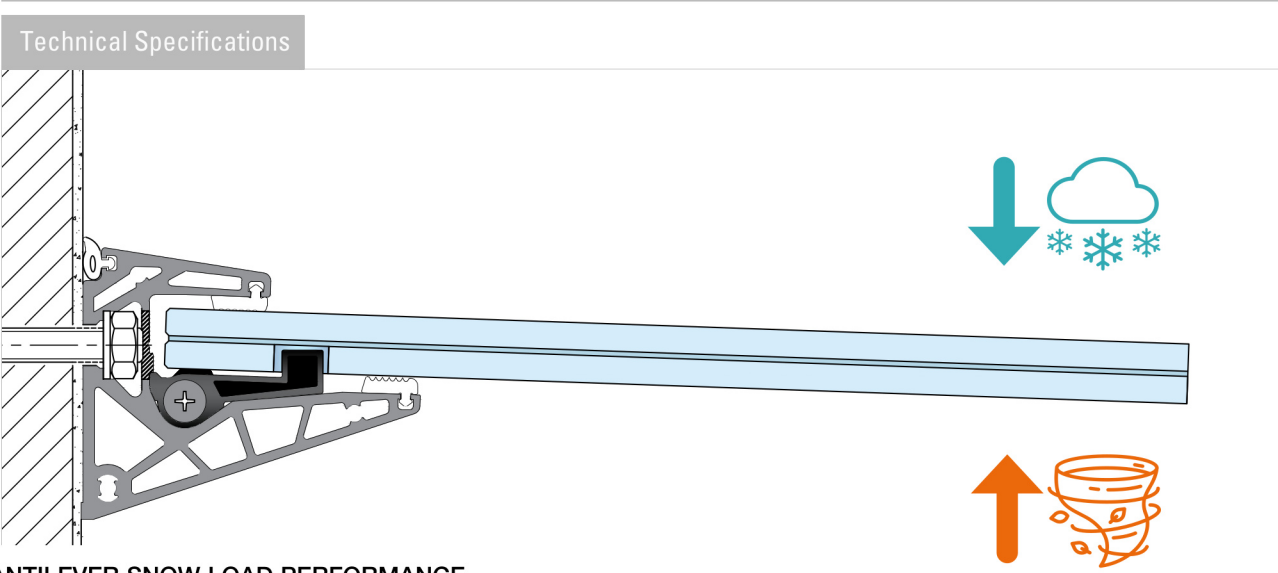
Druckfehler und technische Änderungen vorbehalten / With reservation of printing errors and technical changes.

Projecting roof systems

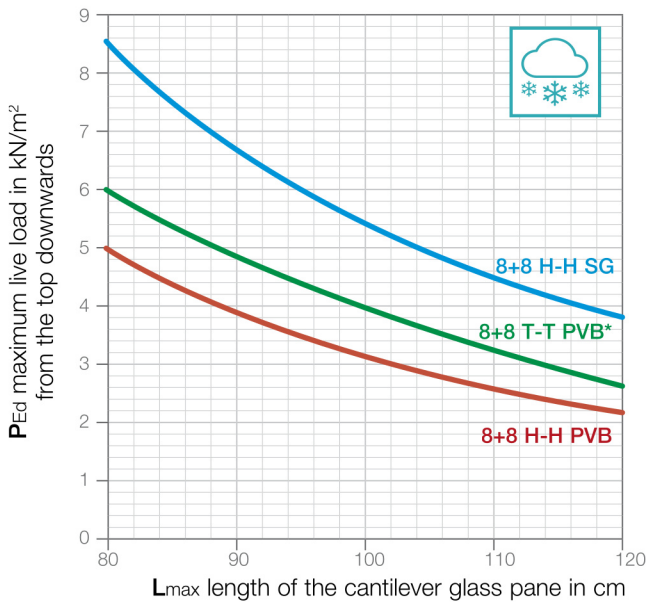
Stand 05.2024



Druckfehler und technische Änderungen vorbehalten / With reservation of printing errors and technical changes.

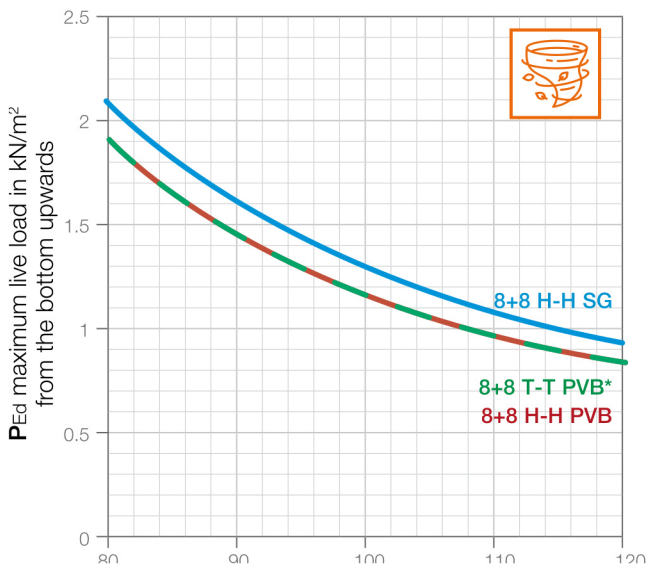


CANTILEVER SNOW LOAD PERFORMANCE



L _{max} [cm]	PE _d [kN/m ²]		
	8+8 H-H PVB	8+8 T-T PVB*	8+8 H-H SG
80	4.95	5.96	8.55
85	4.38	5.28	7.57
90	3.91	4.71	6.76
95	3.51	4.23	6.06
100	3.17	3.82	5.47
105	2.87	3.46	4.96
109	2.62	3.15	4.52
115	2.40	2.89	4.14
120	2.20	2.65	3.80

CANTILEVER GLASS SUPPORT CURVE



*for the properties of the glass pane, it is designed for installation providing that a minimum overhead clearance over the space below is observed.

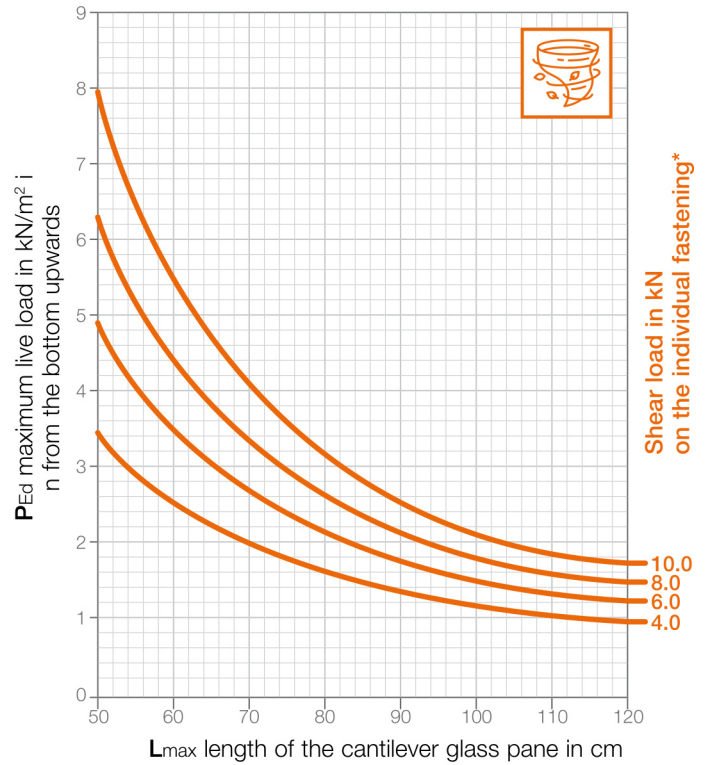
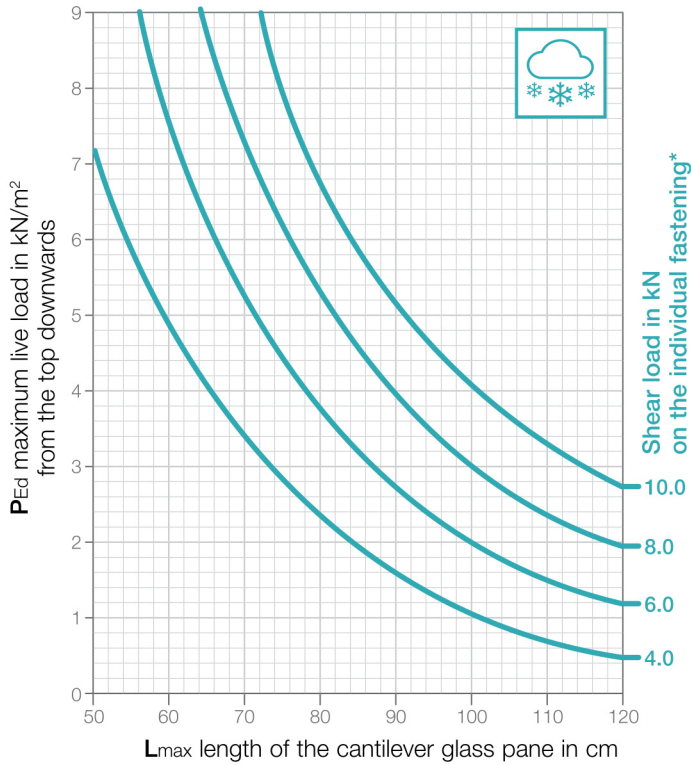
The maximum design load PE_d refers to the sum of all variable loads acting downwards, including the associated safety and combination coefficients. The weight of the glass pane itself is always taken into account and does not need to be added. The results are shown for hardened laminated glass EN 1863 or tempered glass EN 12150 with traditional PVB or rigid SentryGlas® interlayer. The configurations of the glass and interlayers are provided as examples only and are not exhaustive of all installation options: indeed, there are numerous alternative solutions known and in use on the market which have equal or potentially better performance levels in many important technical aspects (e.g. resistance to de-lamination, post-rupture behaviour, stability versus temperature variations, etc.).

Note: the final assessment of the compliance of the system with the safety requirements remains a matter for the qualified engineer to assess, who will be able to verify the applicability of the data provided for the actual installation conditions, the conformity of the system for fastening to the load-bearing structure and the system's compliance with global safety requirements and those specific to the installation site (loads, support properties, exceptional loads, etc.). Detailed information about the design of the system is available online on our website or can be requested by contacting the Logli Saint-Gobain customer care technical department.

SentryGlas® is a registered trademark of Kuraray America, Inc. Trademarks may not be applied for or registered in all countries.

Technical Specifications

CHARTS FOR PRELIMINARY DESIGN OF THE FASTENING SYSTEMS



*The shear load on the individual fixing point is to be considered for the purposes of identifying the most suitable type of fastening for the structure. The values shown are based on a standard spacing of fixings of 200 mm (corresponding to installing a fastening in each hole). The reference to the design load P_{Ed} shown already includes the weight of the glass panes. Charts considering the shear force on the fastenings are not shown, as these are not a dimensioning factor in the majority of cases.

Note: the verification of the most suitable types of fastenings for the structure as well as their spacing in relation to the actual design loads remains a matter for the qualified engineer to assess, who will be able to verify the applicability of the data provided for the actual installation conditions (loads acting on the system, support properties, etc.). For installations in buildings which feature thermal insulation with low structural properties, it is recommended to pay the utmost attention to the creation of substructures with suitable properties to distribute and transmit the loads from the system.