

**ASSEMBLY INSTRUCTIONS**

Simultaneous telescopic system  
2 Panels / with fixed glass



120 KG



8-10 mm



min. 500

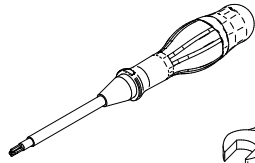
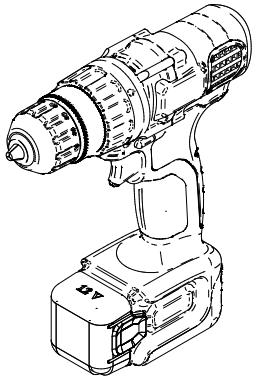


65/90/130 kg  
optional

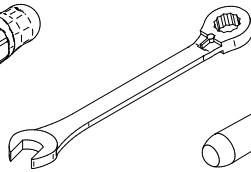


NO glass-machining  
needed

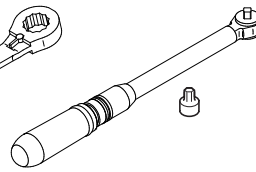
## Required tool



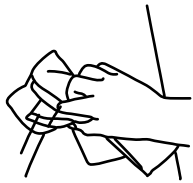
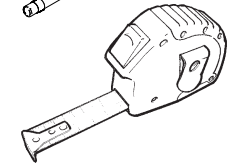
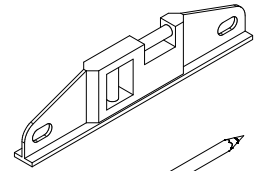
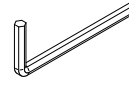
13



13 Nm



2 - 2.5  
3 - 4

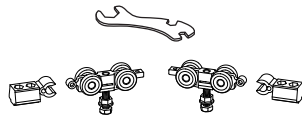


Clean the glass and profiles before installing.

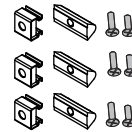
## Components



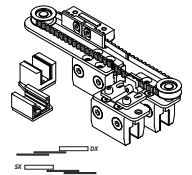
M105/54



PRK-CAR



PRK-FIXKIT



PRK-TLS2

**Stop&Slide**  
*optional*



Minimum width panel



65 kg



90 kg



130 kg

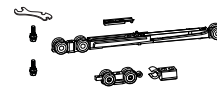
580 mm

640 mm

700 mm



PRK1SES65



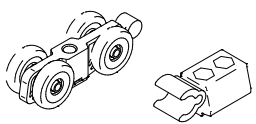
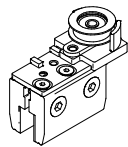
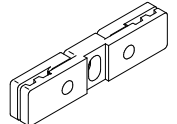
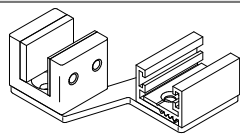
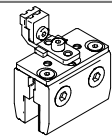
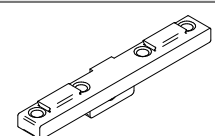
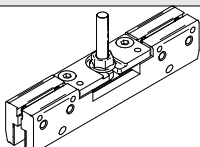
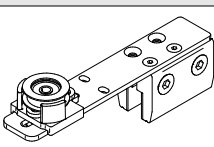
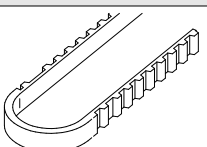
PRK1SES90

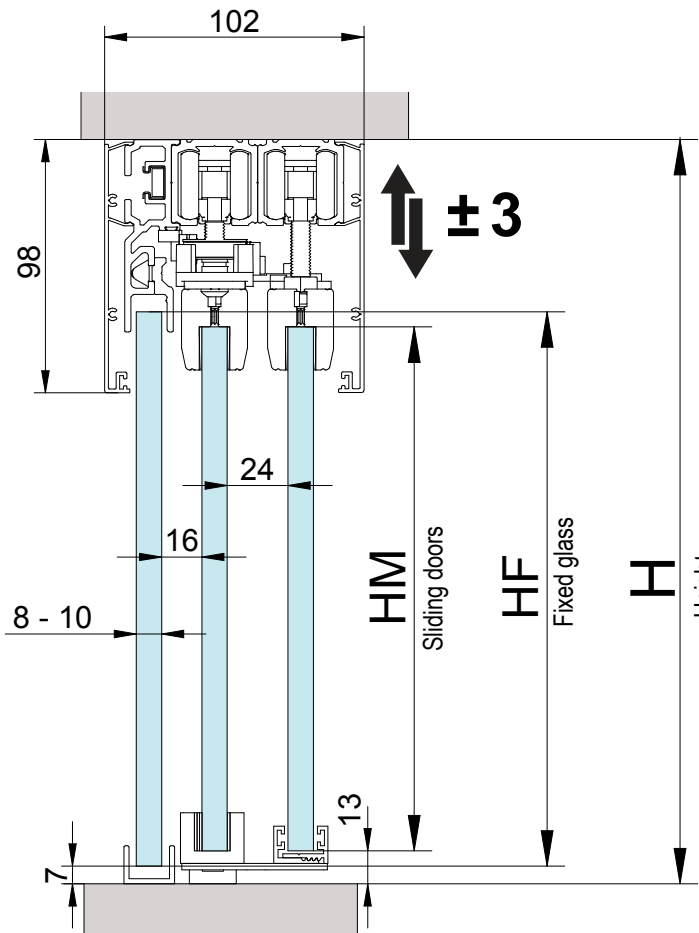


PRK1SES130

## PROFILES

PRK-TOP	PRK-DIS	PRK-FIX	PRK-COH	87/X4
				Optional

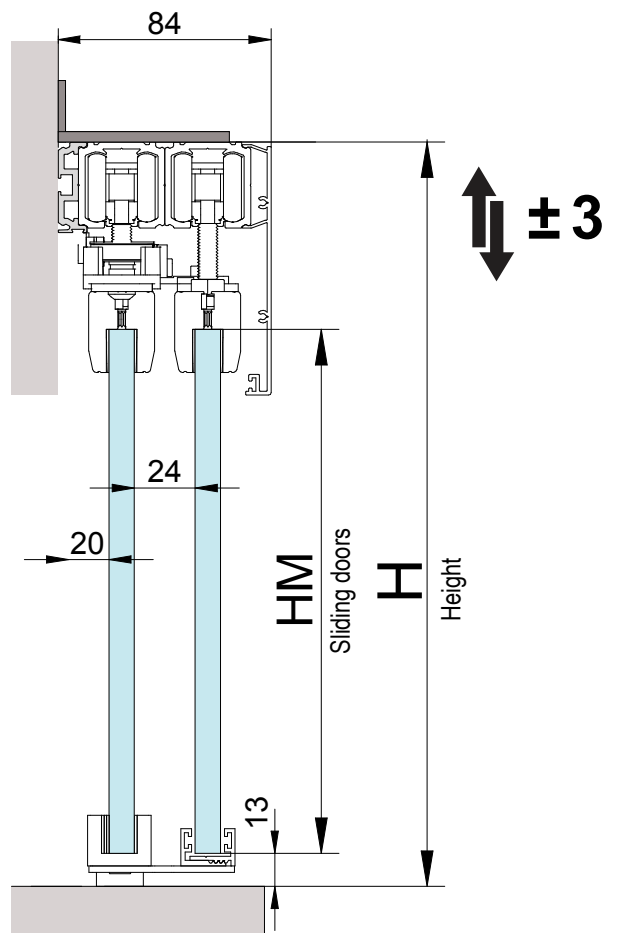
<p><b>S</b></p>  <p>Trolley with stopper</p>	<p><b>P2</b></p>  <p>Belt clip</p>	<p><b>C1</b></p>  <p>Lower guide</p>
<p><b>G1</b></p>  <p>Easy™ Clamp</p>	<p><b>P3</b></p>  <p>Clip docking</p>	<p><b>C2</b></p>  <p>Toothed belt</p>
<p><b>P1</b></p>  <p>Toothed belt</p>	<p><b>P4</b></p>  <p>Lower guide</p>	<p><b>C3</b></p>  <p>Belt clip</p>



**Ceiling assembly**

$$HM = H - 87$$

$$HF = H - 75$$

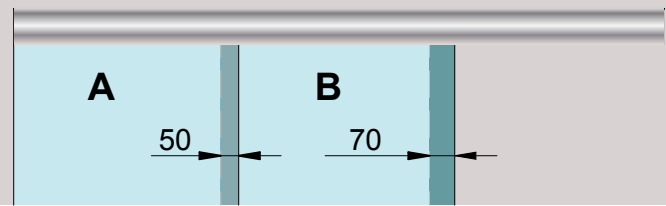
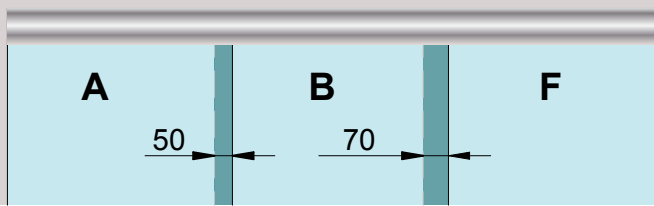


**Wall assembly**

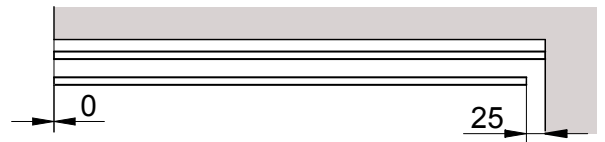
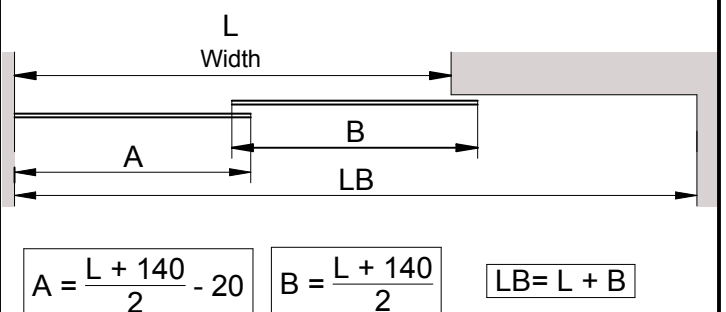
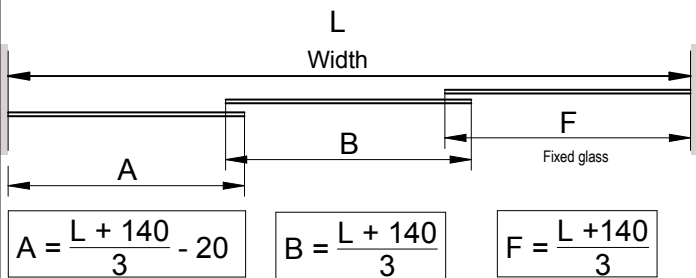
$$HM = H - 87$$

### Ceiling assembly

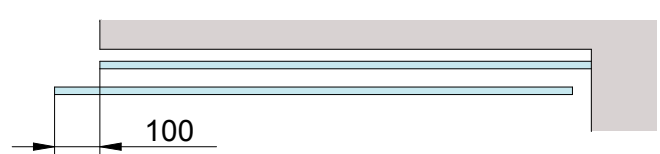
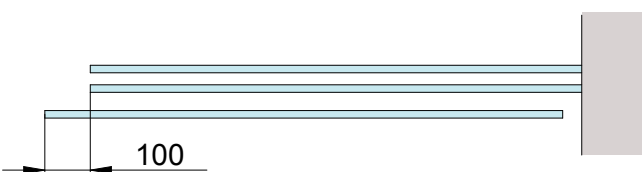
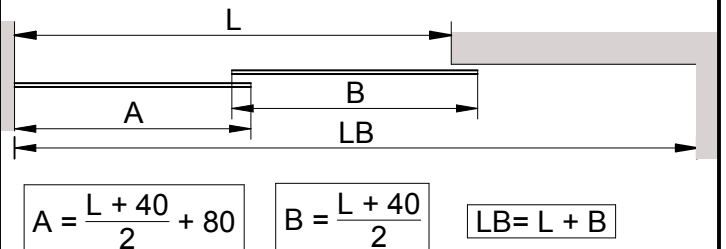
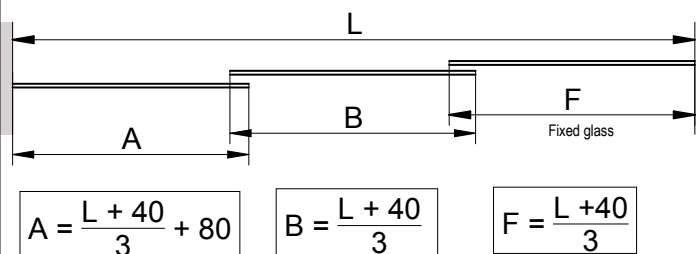
### Wall assembly



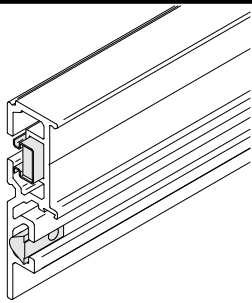
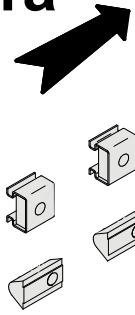
#### Flush mounting



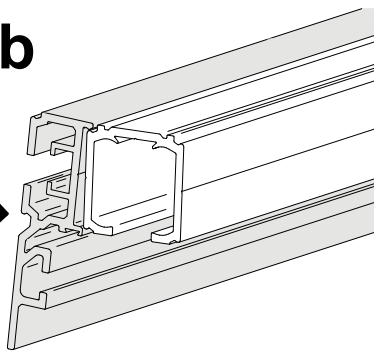
#### In case of handle



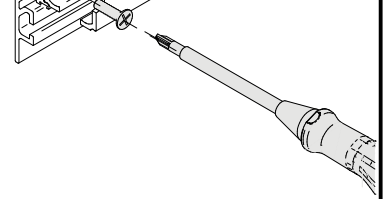
1a



1b

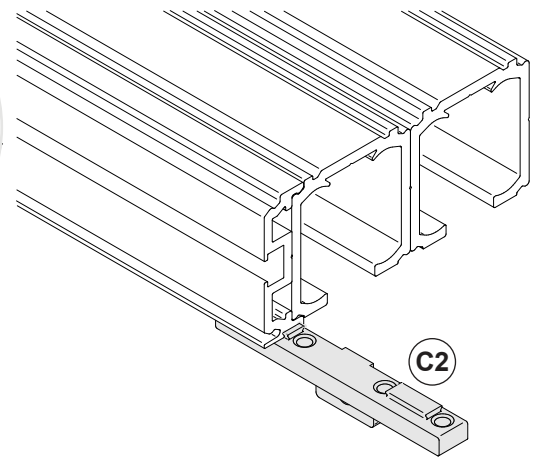
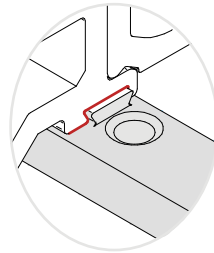
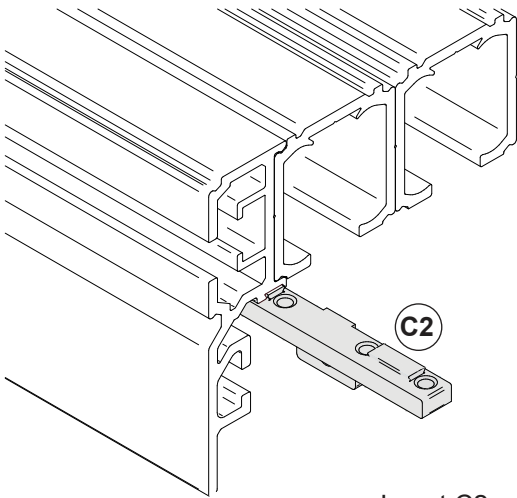


1c



Clip top track and fixed glass profile with the cage nut  
 With wall assembly WATCH page 5

2



Insert C2 component in the profile (as shown)

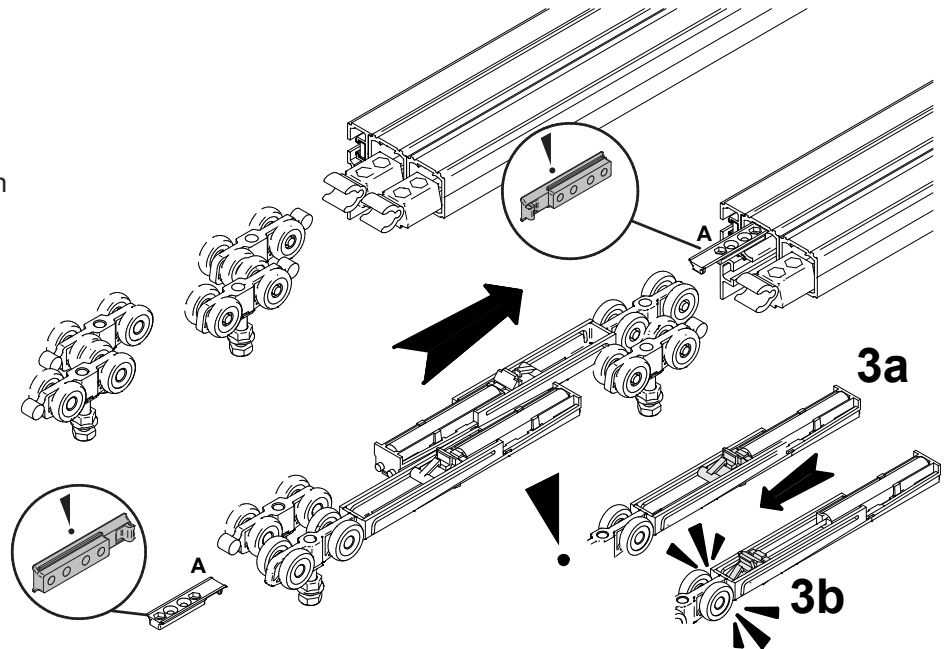
3

**INSERT SLIDING COMPONENTS**

Insert trolley/Stop&Slide and stops in top track as shown



Clean before inserting the trolleys



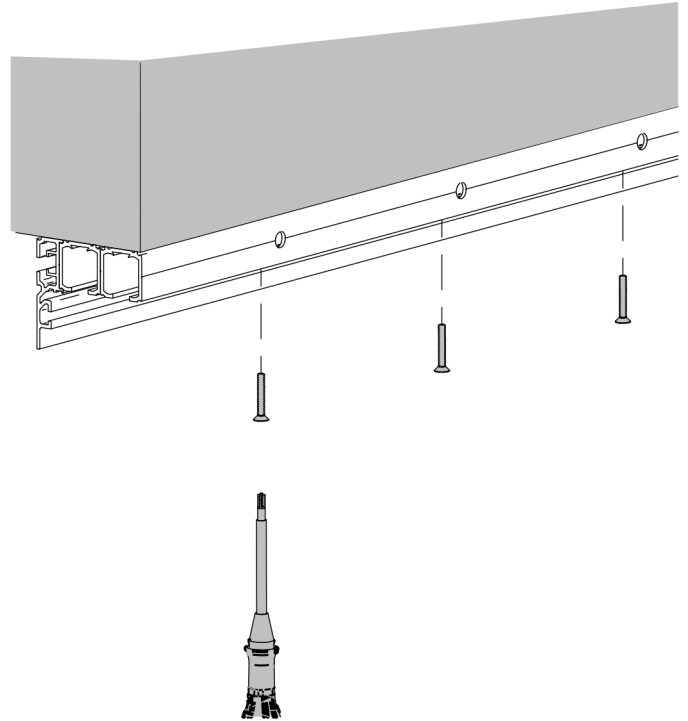
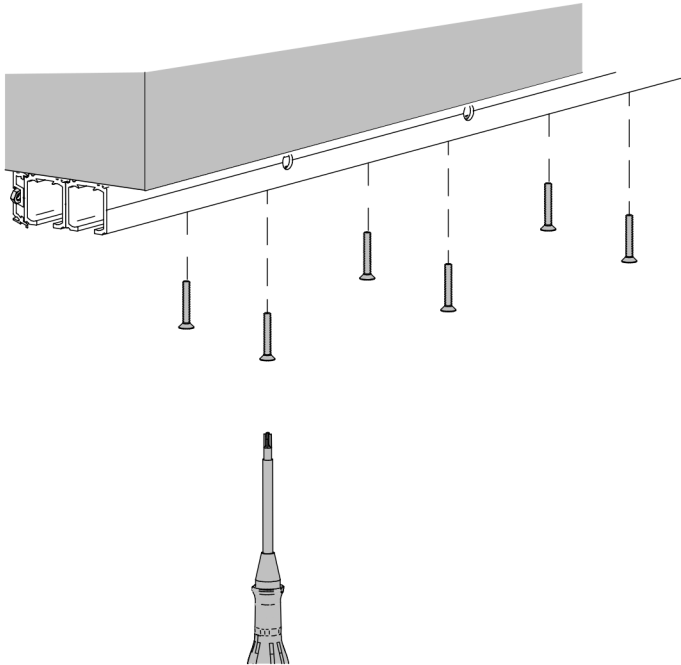
**LOAD STOP&SLIDE**

Press the hook from position 3a to 3b since it clicks.

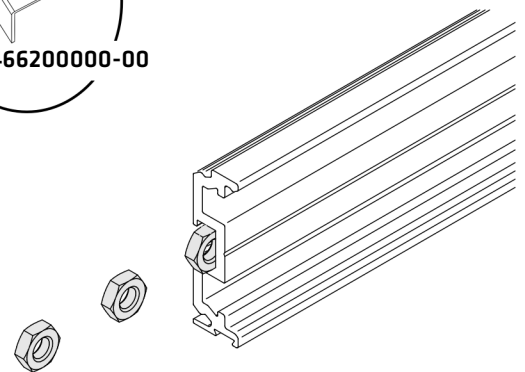
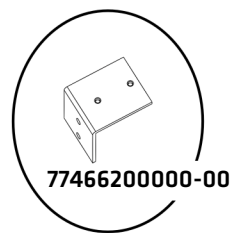
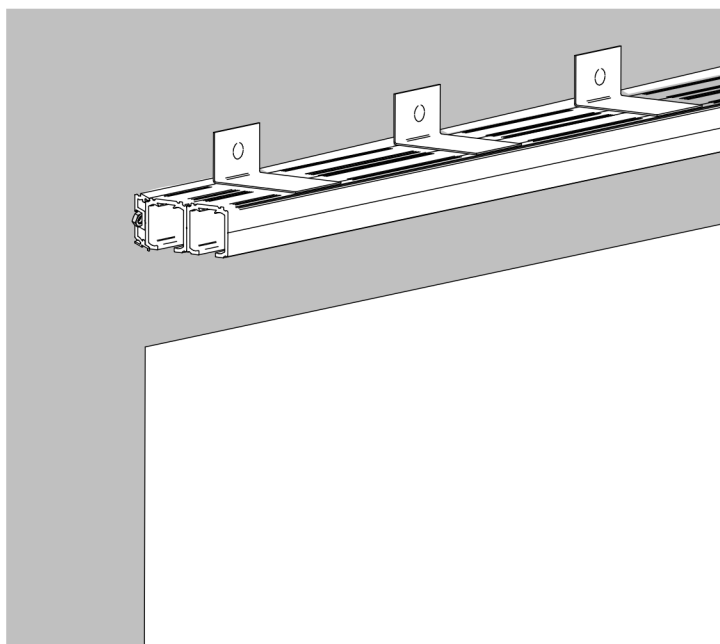
# CONFIGURATIONS

*Ceiling mounting - 2 sliding doors*

*Ceiling mounting - 2 sliding doors + fixed glass*

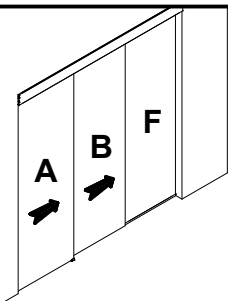


*Wall mounting - 2 sliding doors*



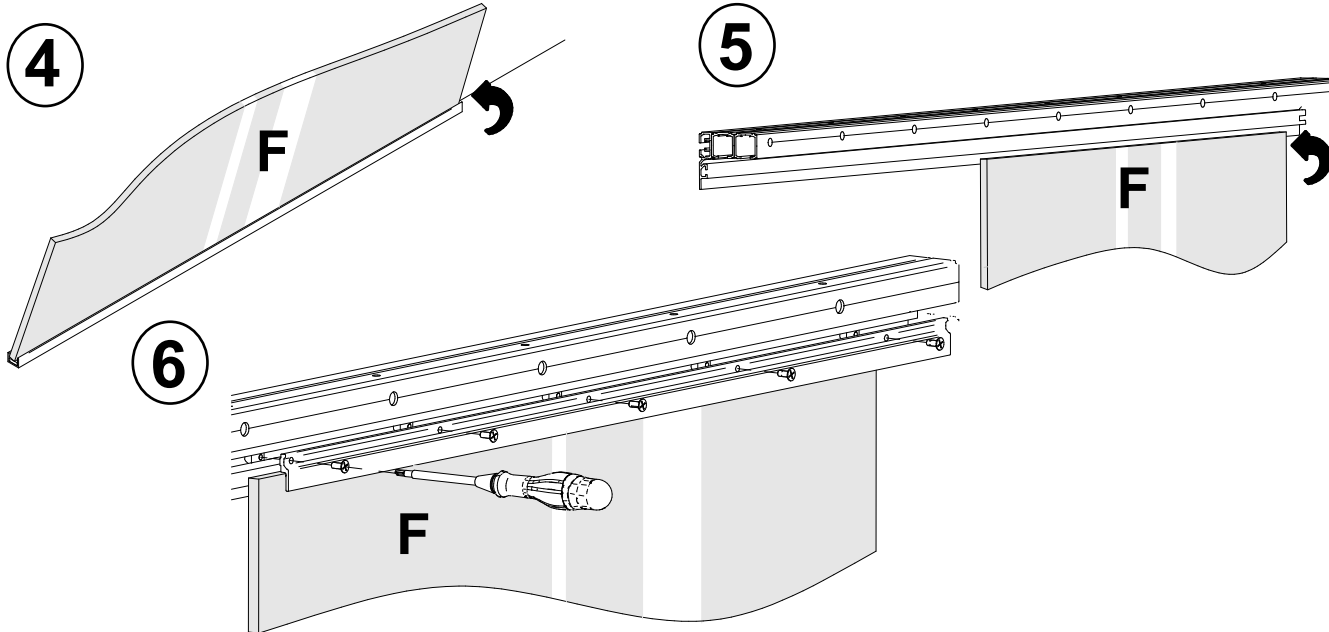
**Clip top track and fixed glass profile using nut**

# Right side opening

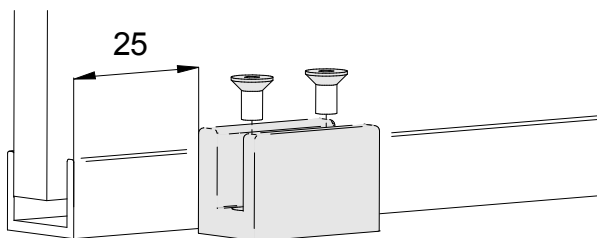


Left side opening pag. 9

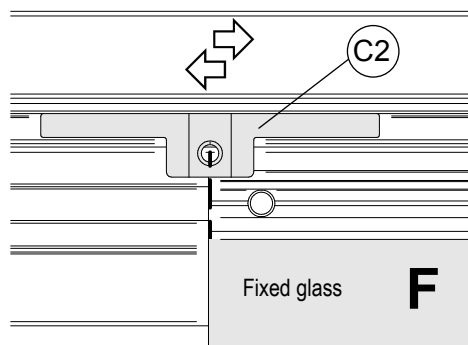
## ASSEMBLY FIXED GLASS



### 7 Install the lower guide 25 mm to fixed glass



### 8

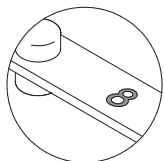


Place C2

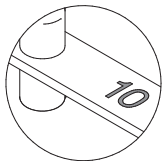
### 9

## EASY™ Clamps assembly

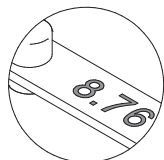
Choose the spacer according to the thickness of the glass and match in the clamp



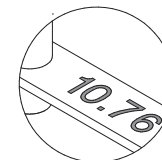
GLASS 8 MM



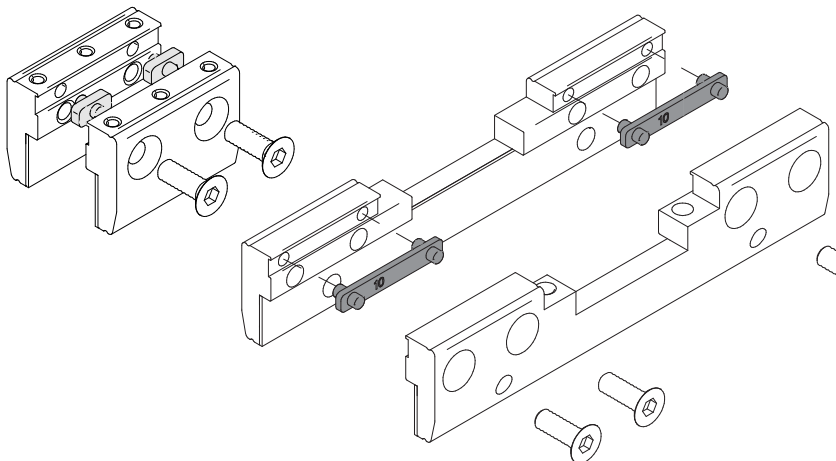
GLASS 10 MM

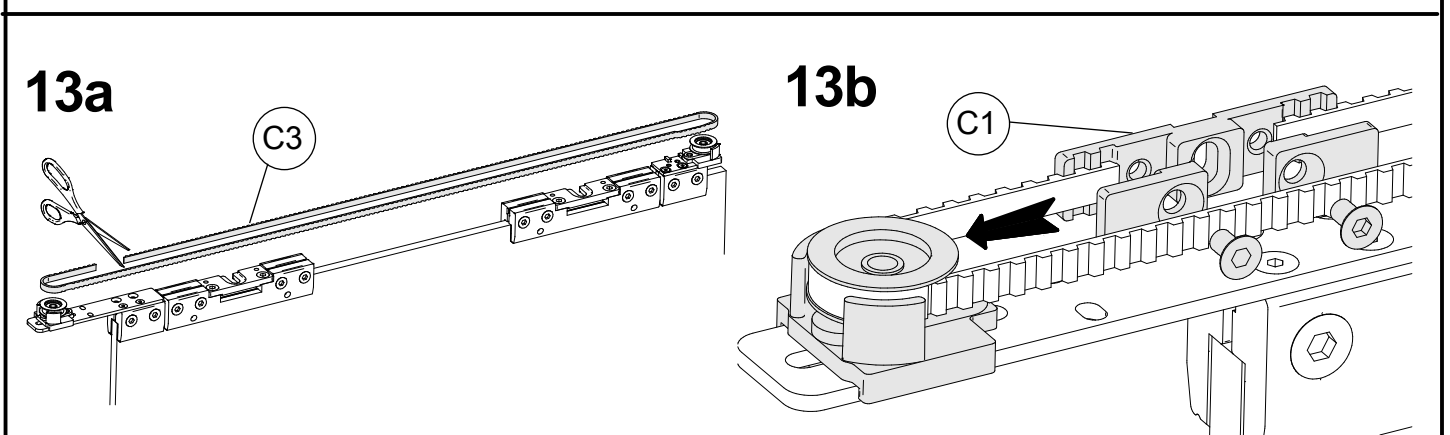
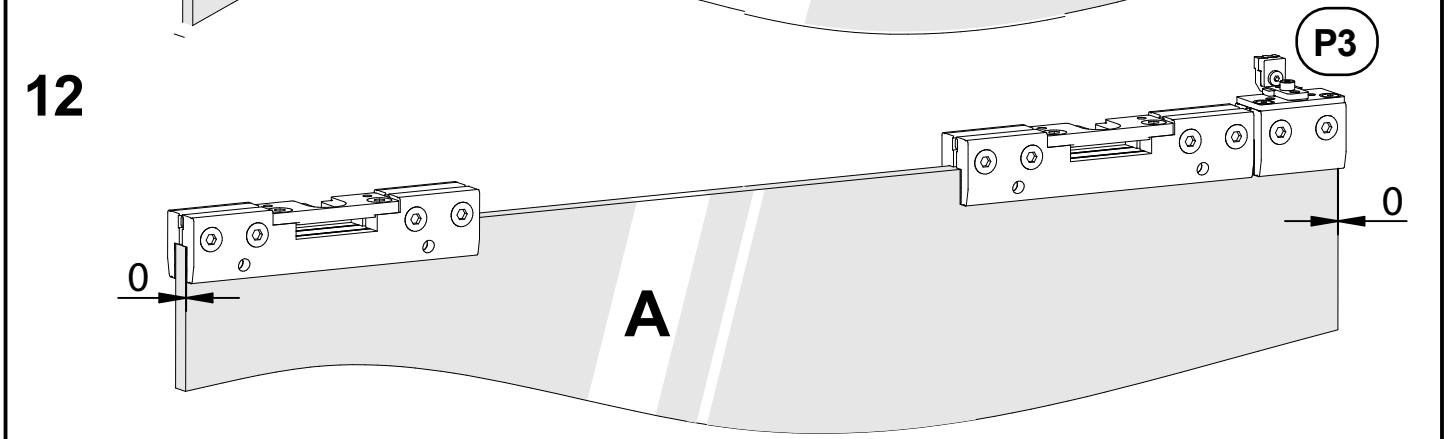
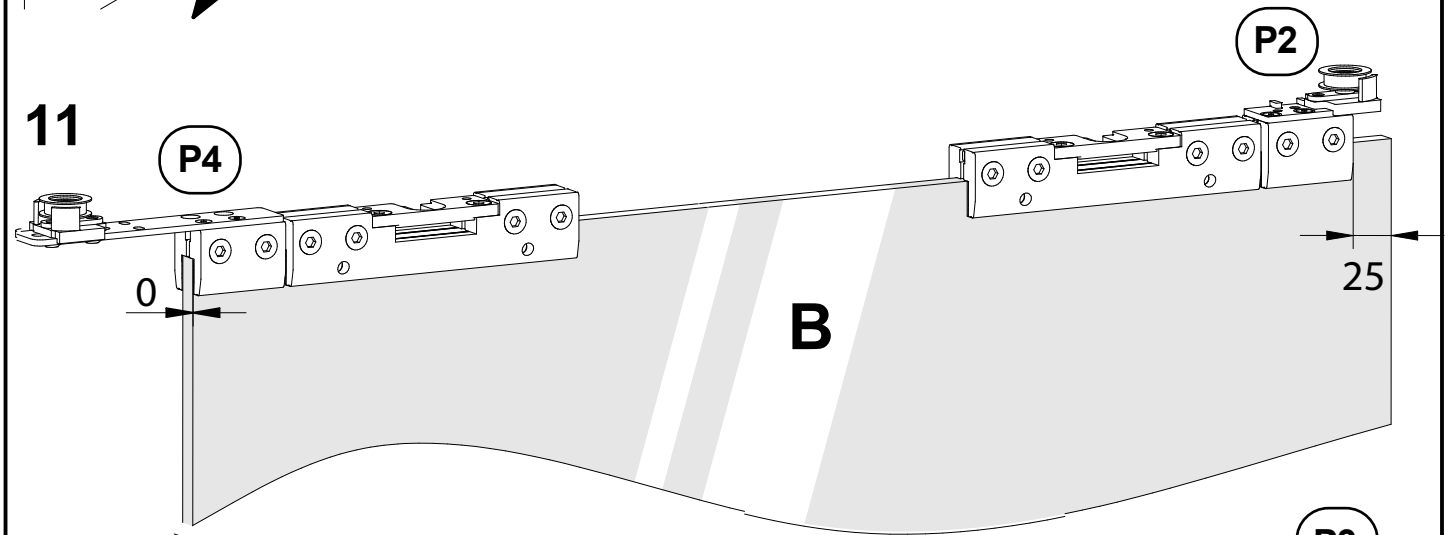
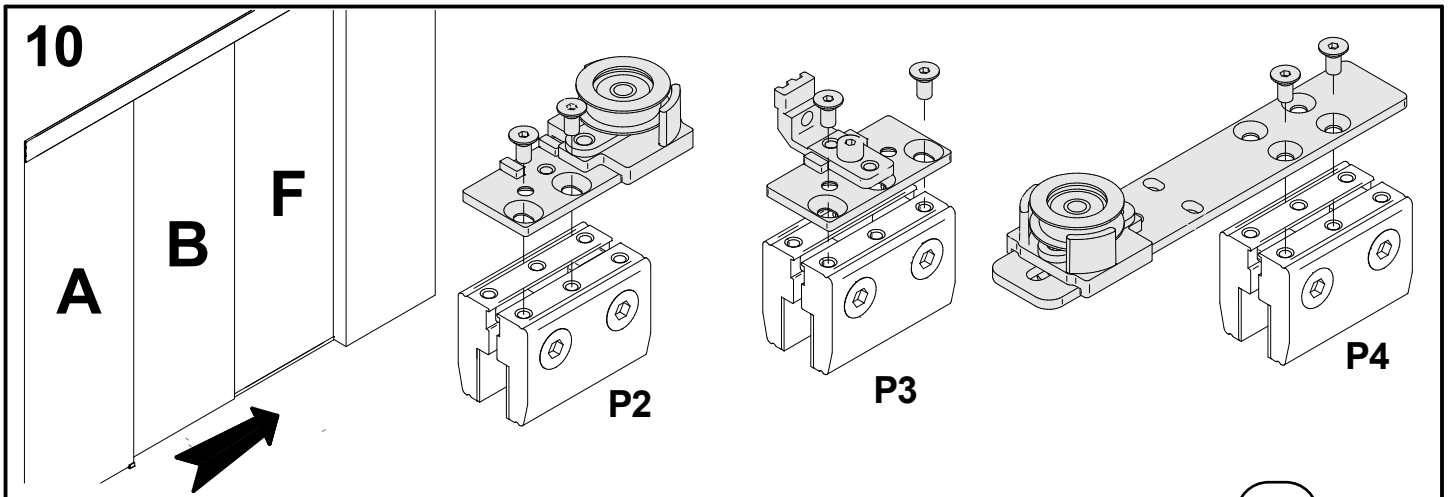


GLASS 8,76 MM



GLASS 10,76 MM

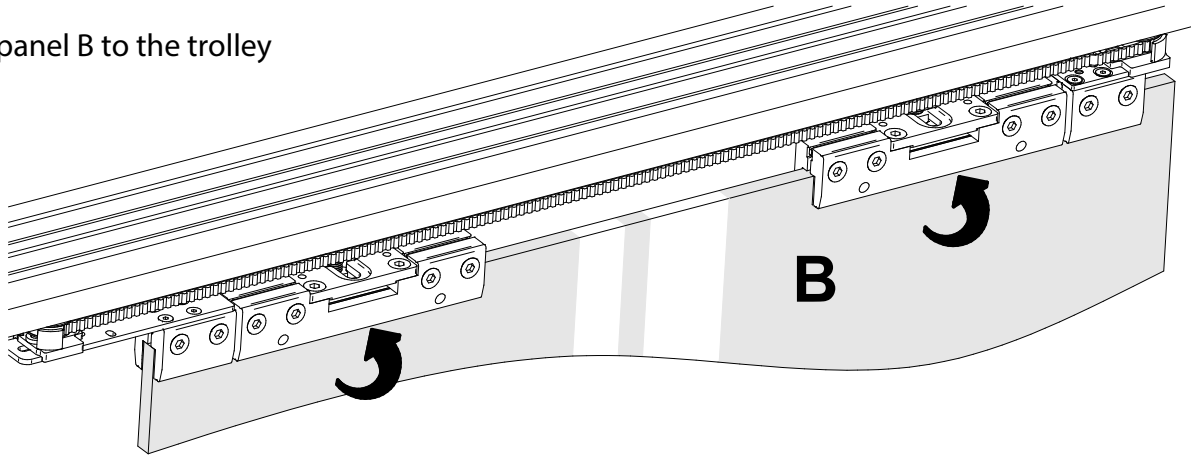




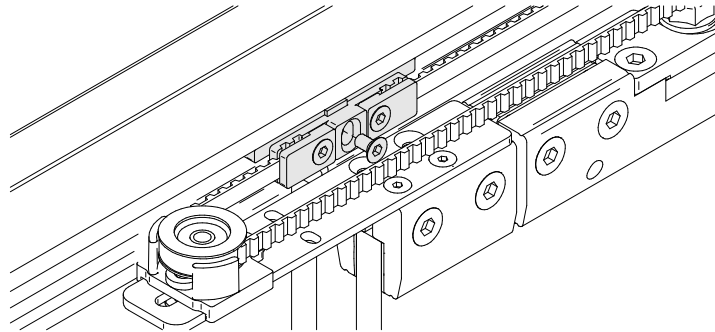
Cut the toothed belt C3. Tighten it to C1. Stretch by moving the wheel of the clamp P4



**14a** Install panel B to the trolley

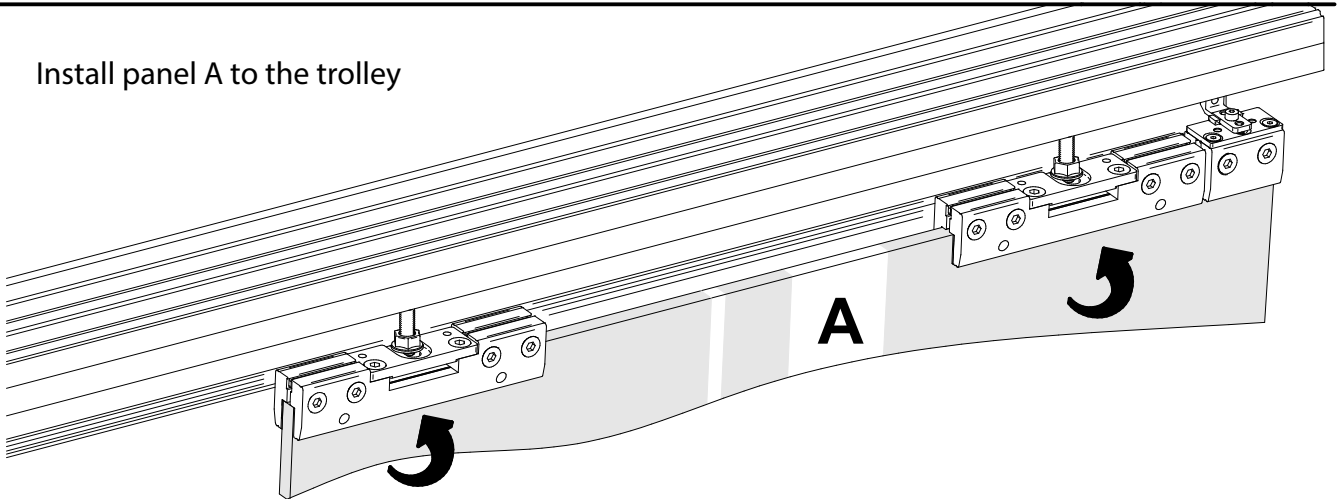


**14b**

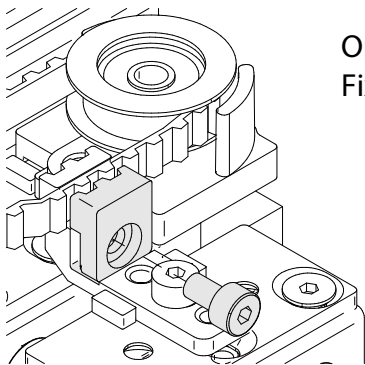


Screw C1 to C2.

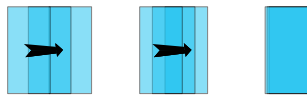
**15** Install panel A to the trolley



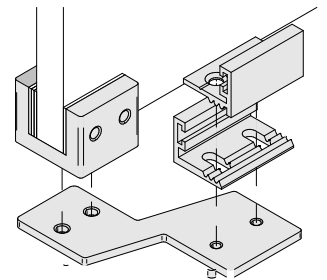
**16**



Open all the panels.  
Fix panel A to the toothed belt

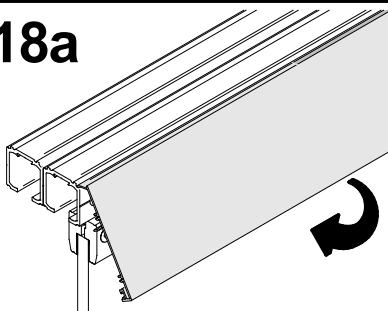


**17**



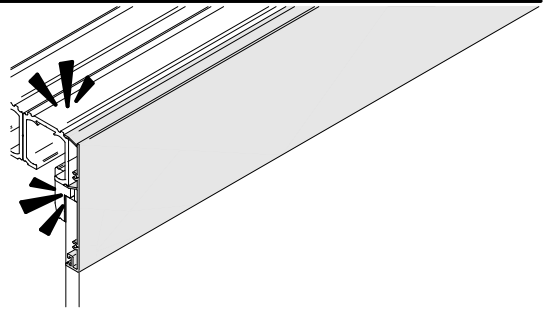
Install lower guide

**18a**

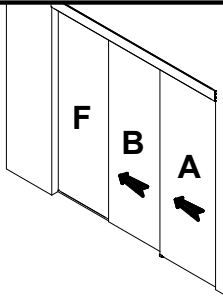


Clip the covers to the top track

**18b**

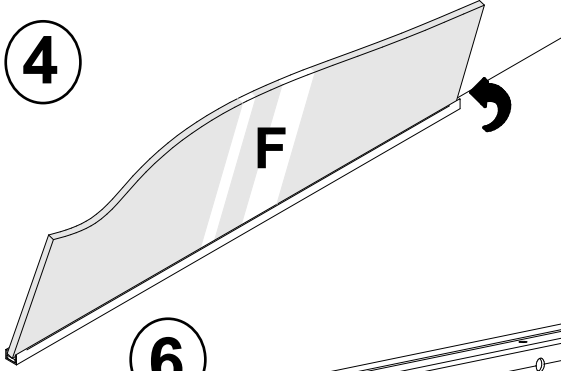


# Left side opening

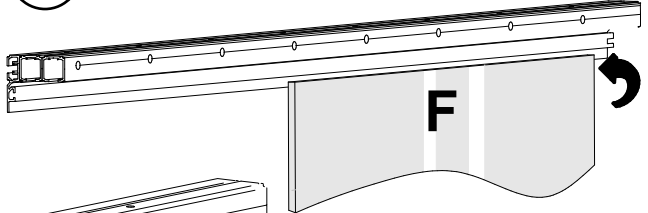


## ASSEMBLY FIXED GLASS

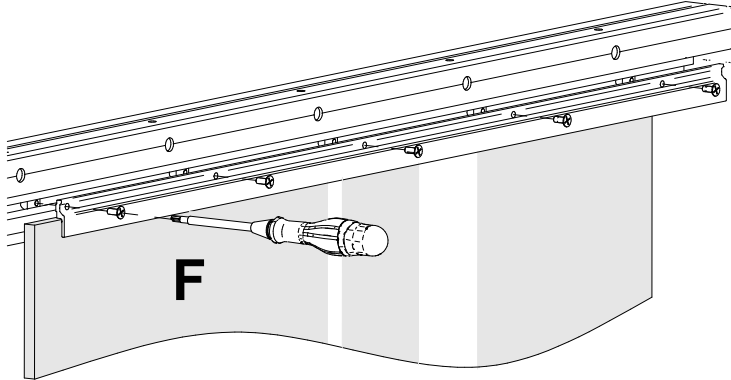
4



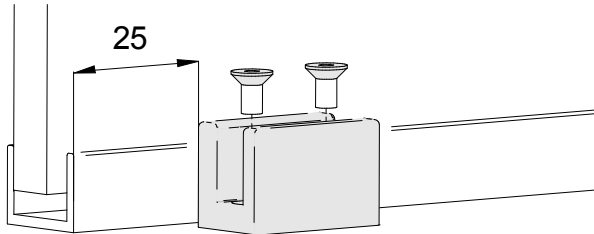
5



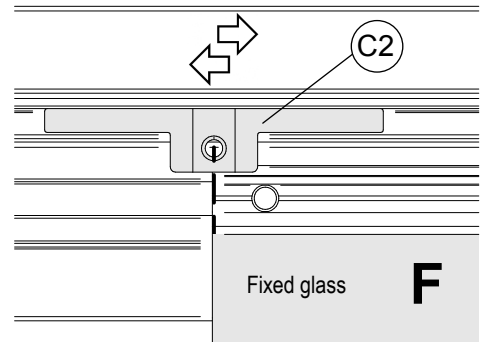
6



7 Install the lower guide 25 mm to fixed glass



8

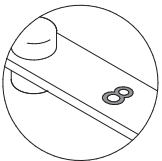


Place C2

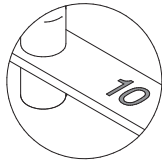
9

## EASY™ Clamps assembly

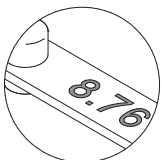
Choose the spacer according to the thickness of the glass and match in the clamp



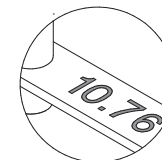
GLASS 8 MM



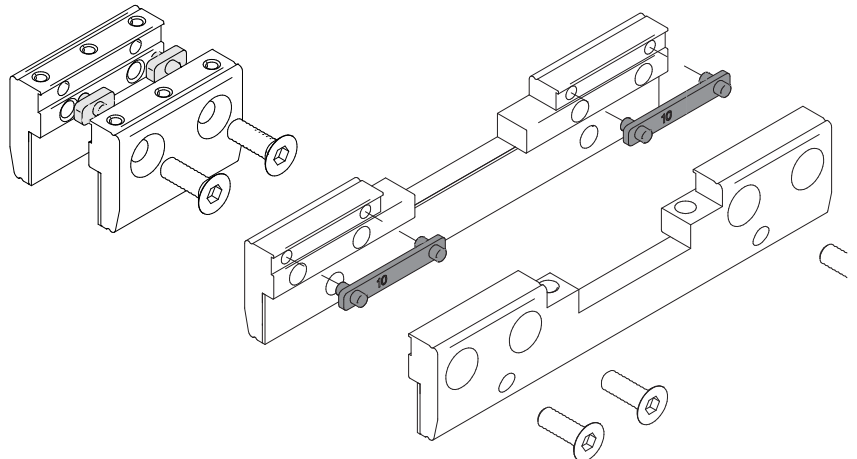
GLASS 10 MM



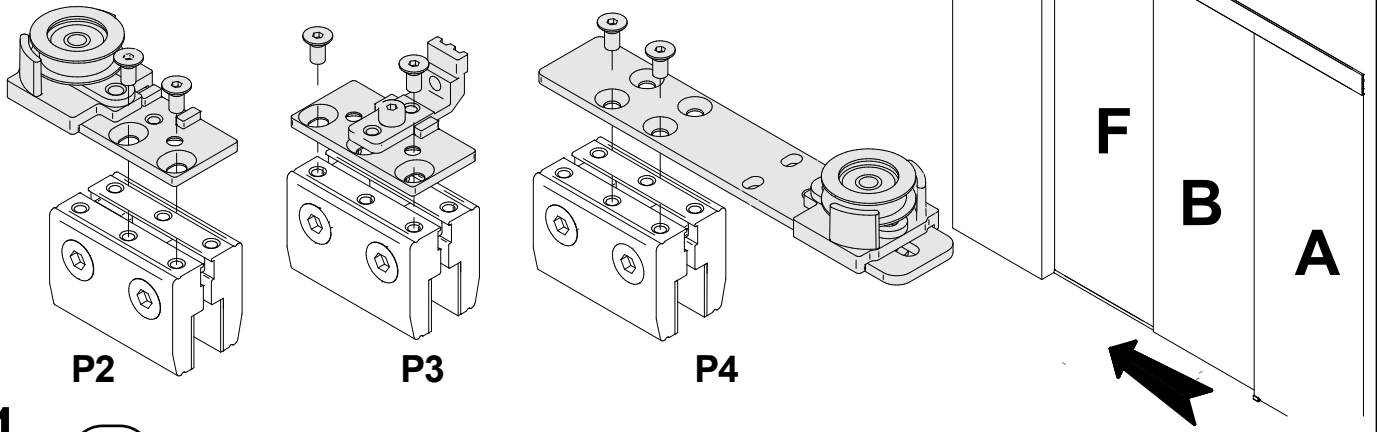
GLASS 8,76 MM



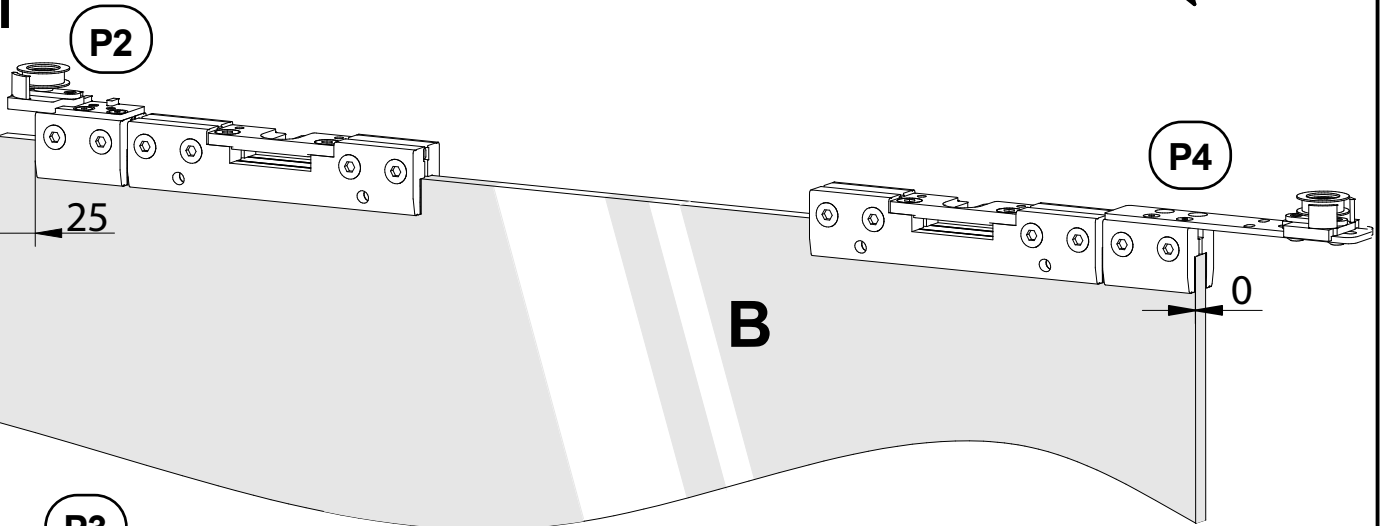
GLASS 10,76 MM



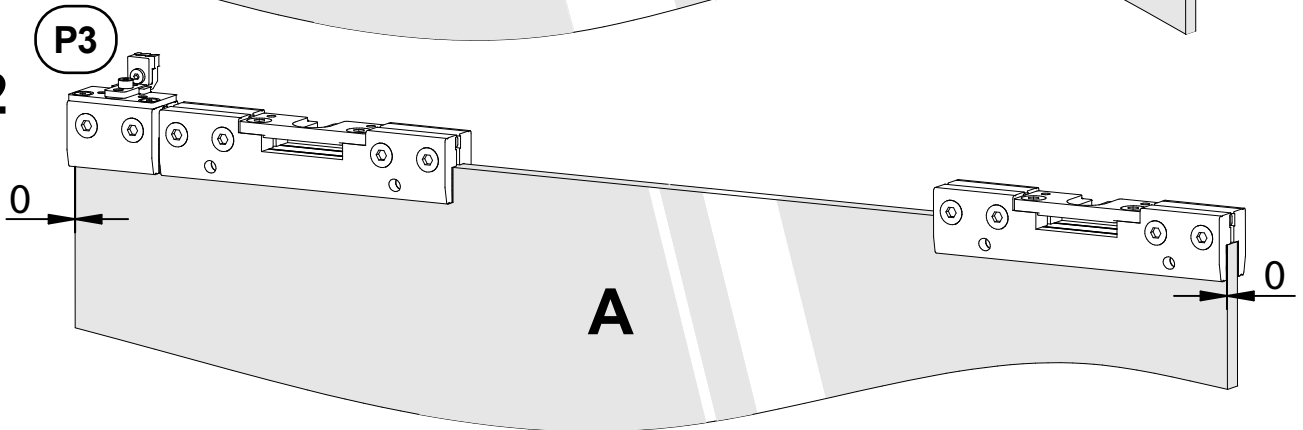
10



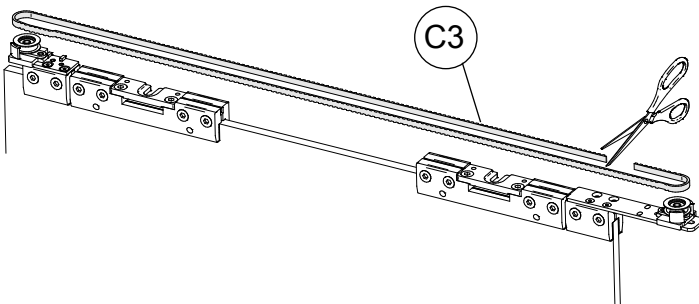
11



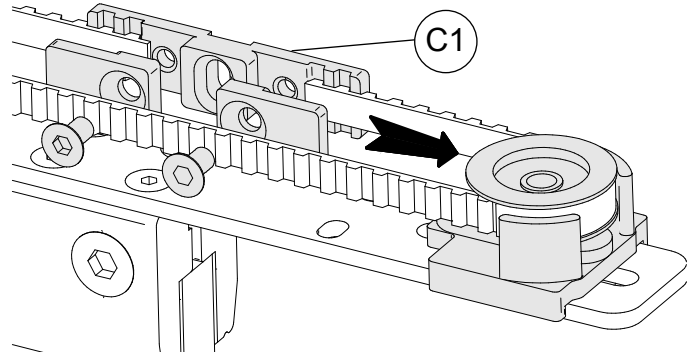
12



13a

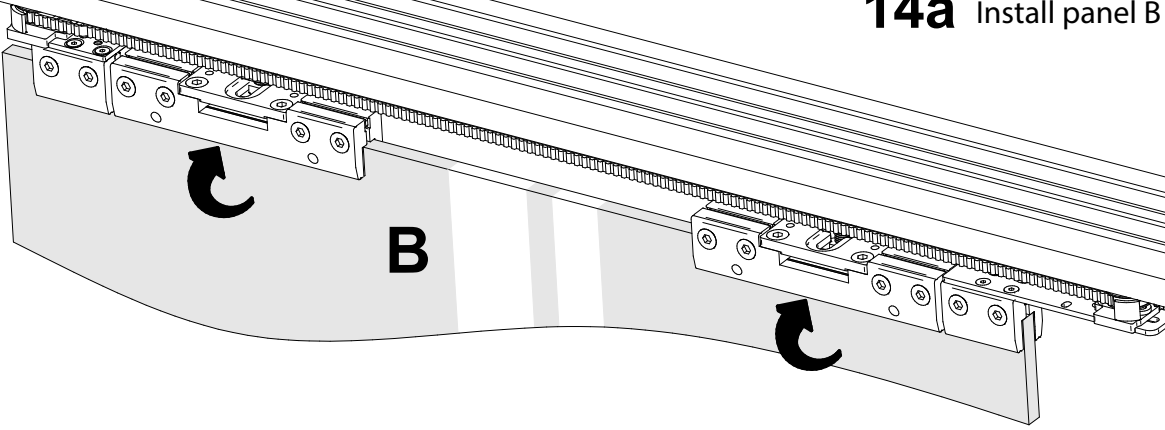


13b



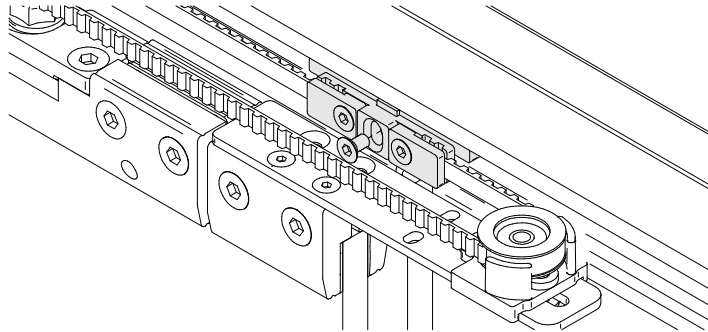
Cut the toothed belt C3. Tighten it to C1. Stretch by moving the wheel of the clamp P4

**14a** Install panel B to the trolley

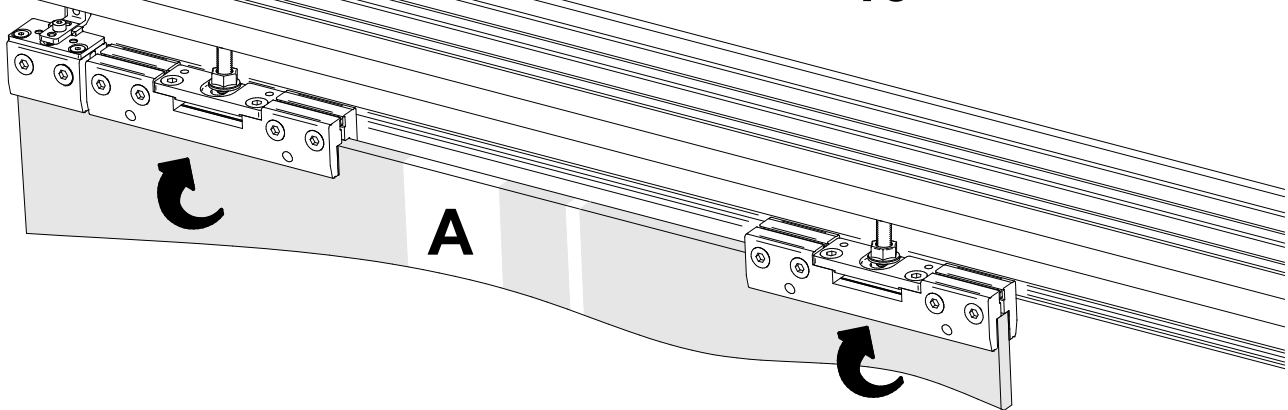


**14b**

Screw C1 to C2.

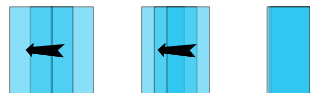
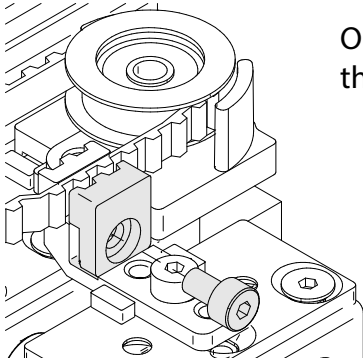


**15** Install panel A to the trolley



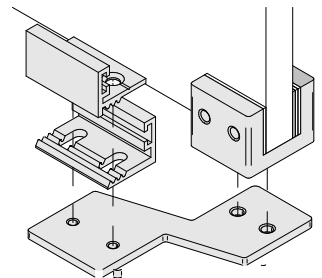
**16**

Open all the panels. Fix panel A to the toothed belt



**17**

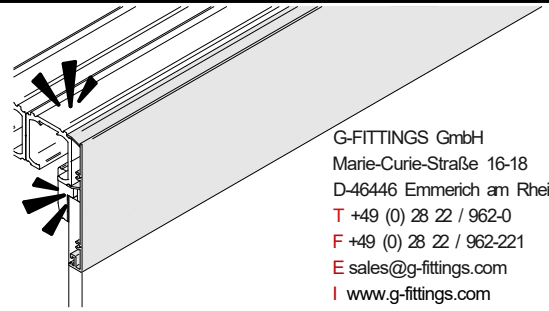
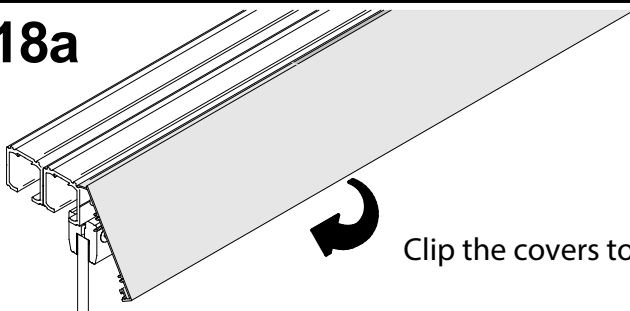
Install lower guide



**18a**

**18b**

Clip the covers to the top track



G-FITTINGS GmbH  
Marie-Curie-Straße 16-18  
D-46446 Emmerich am Rhein  
T +49 (0) 28 22 / 962-0  
F +49 (0) 28 22 / 962-221  
E sales@g-fittings.com  
I www.g-fittings.com