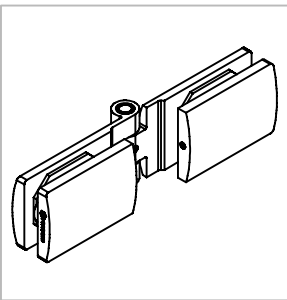


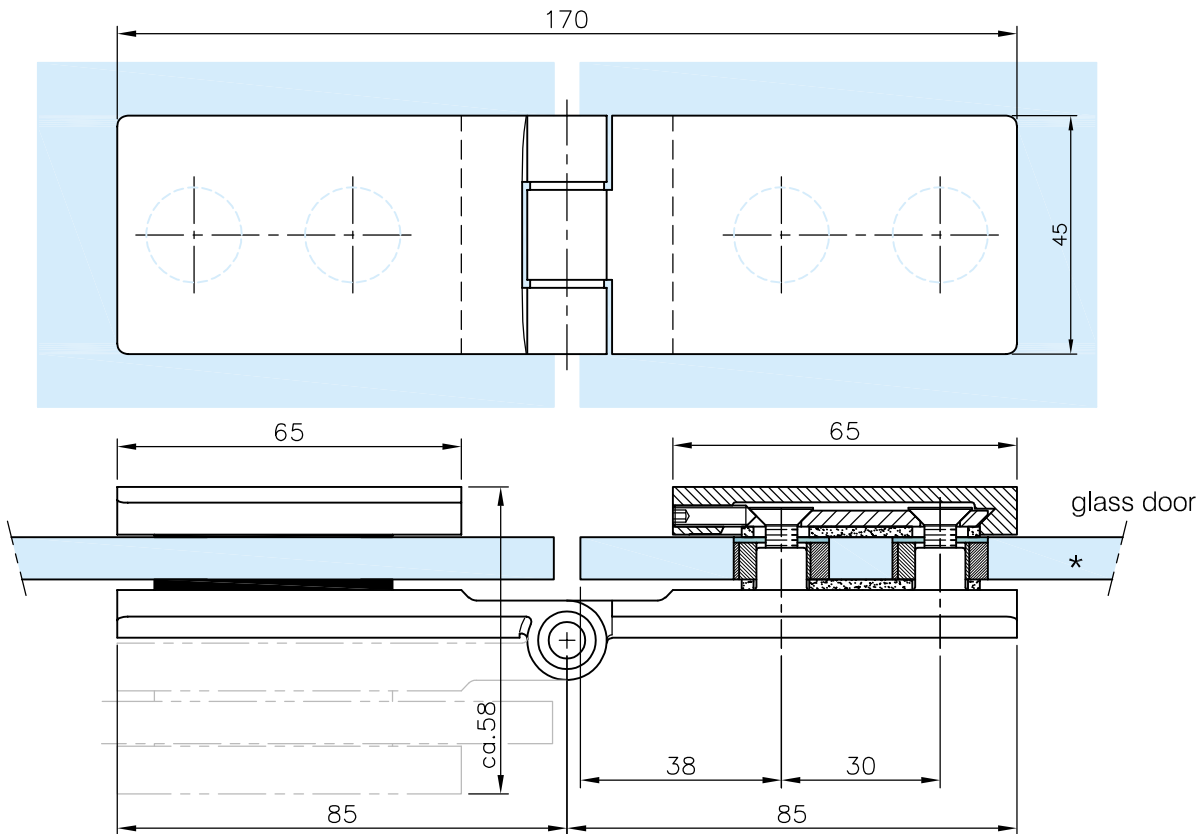
Technische Daten:  
Glastürscharnier - HELENA

Datasheet:  
Glass door hinge - HELENA

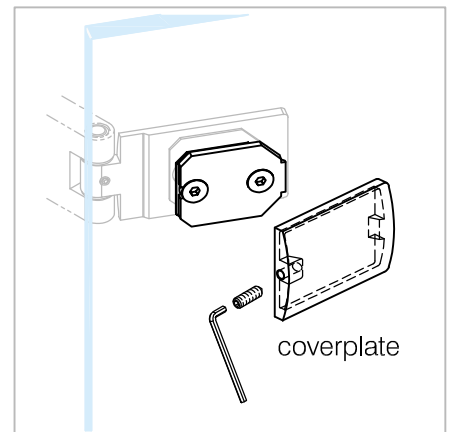
Art. 77410502180-10  
Art. 77410502180-12  
Art. 77410502180-26



<b>Ausführung:</b> Options:	6 mm - 10mm	1200 mm max.	50 kg max.	DIN links/left + DIN rechts/right
	<b>Material:</b> Material:	V2A Stainless steel AISI 304		<b>Gewicht: / Weight:</b> 0,7 kg
<b>Oberflächen:</b> Finish:	Edelstahl-Design Stainless steel design	Chrom-Design Chrome design	Anthrazit-Design Anthracite design	

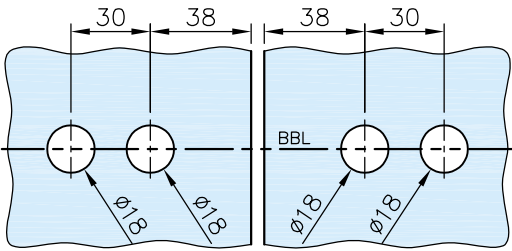


\*drawing shows  
8mm glass

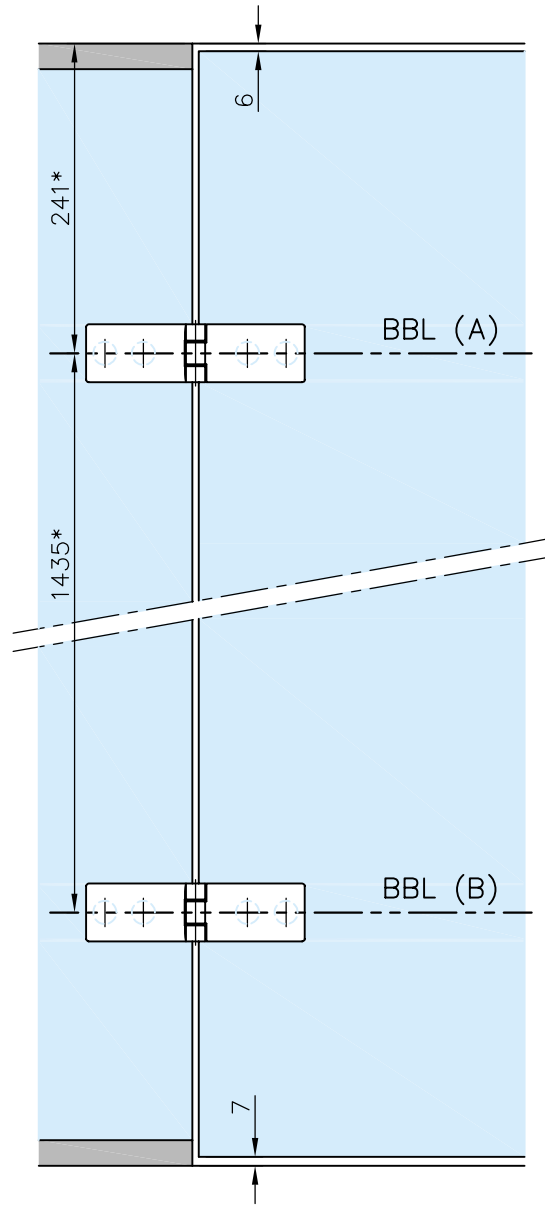
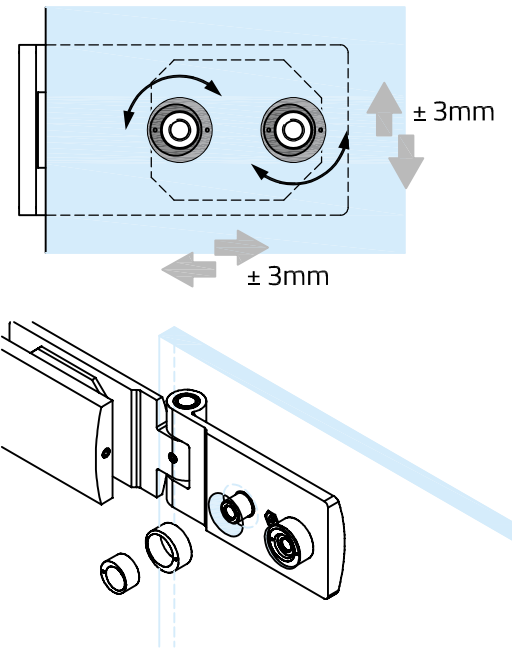


Art. 77410502180-10  
 Art. 77410502180-12  
 Art. 77410502180-26

**Glasbearbeitung:**  
 Glass preparation:



**Exzenter-Glasbohrungshülsen:**  
 Eccentric glass bore sleeves:

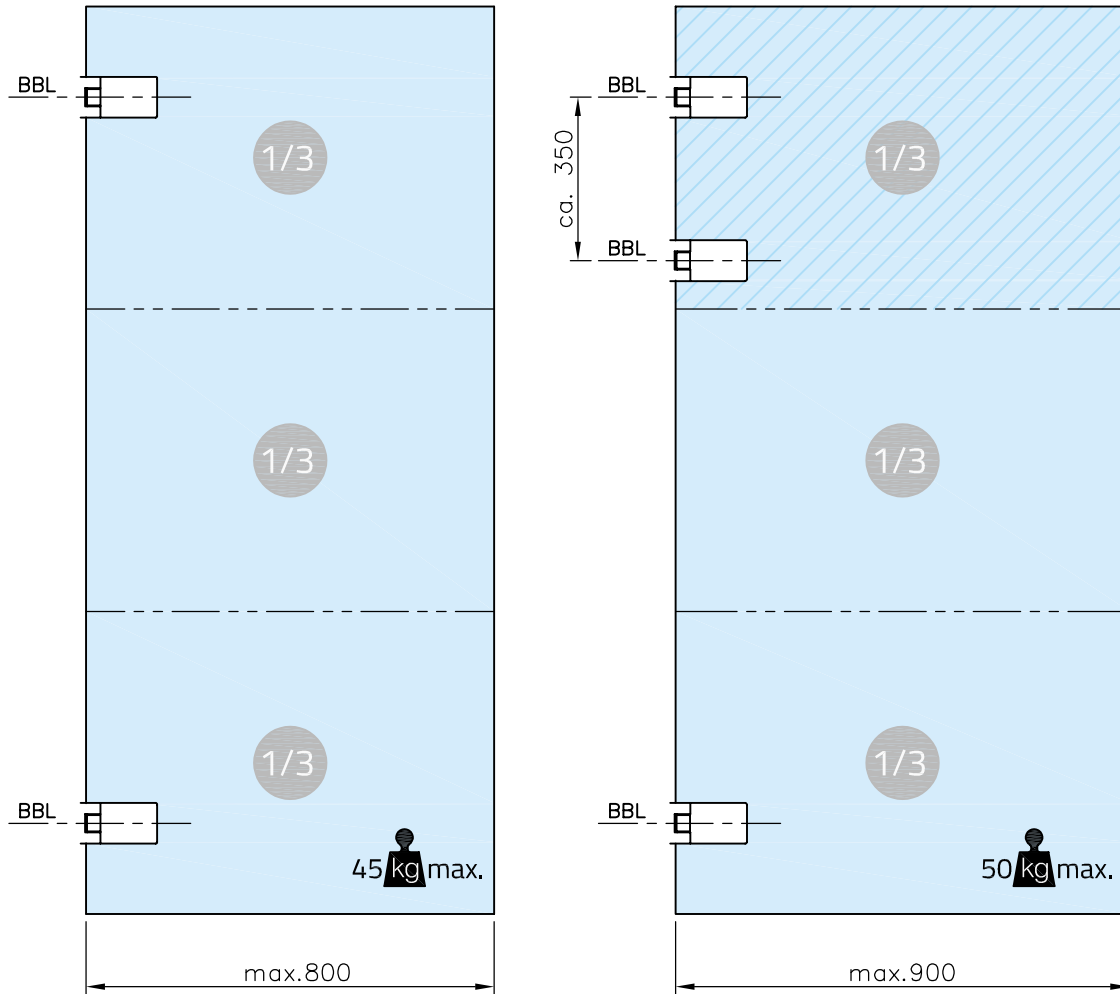


Empfehlungsmaße entsprechend \*DIN 18268  
 Recommended dimensions according to \*DIN 18268

Glastürhöhe Glass door height	Abstand Zargenfalz - BBL(A) distance frame rebate - BBL(A)	Abstand BBL(A) - BBL(B) distance BBL(A) - BBL(B)
1860 mm - 2110 mm	241 +1 mm	1435 mm ±0,5 mm
2111 mm - 2235 mm	241 +1 mm	1560 mm ±0,5 mm
2236 mm - 2360 mm	241 +1 mm	1685 mm ±0,5 mm

Art. 77410502180-10  
Art. 77410502180-12  
Art. 77410502180-26

Breite/Ausladung:  
Width/extension:



(no scaled view)

**G-FITTINGS GmbH**

Marie-Curie-Straße 16-18  
46446 Emmerich am Rhein  
T +49 (0)2822 962 0  
F +49 (0)2822 962 221  
E sales@g-fittings.com