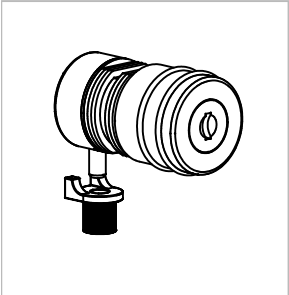


Technische Daten:  
Vitrinenschloß - 1003

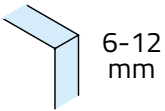
Datasheet:  
Showcase lock - 1003

Art. 23.1003.030.46  
Art. 23.1003.031.46

Stand 03.2021



Ausführung:  
Options:



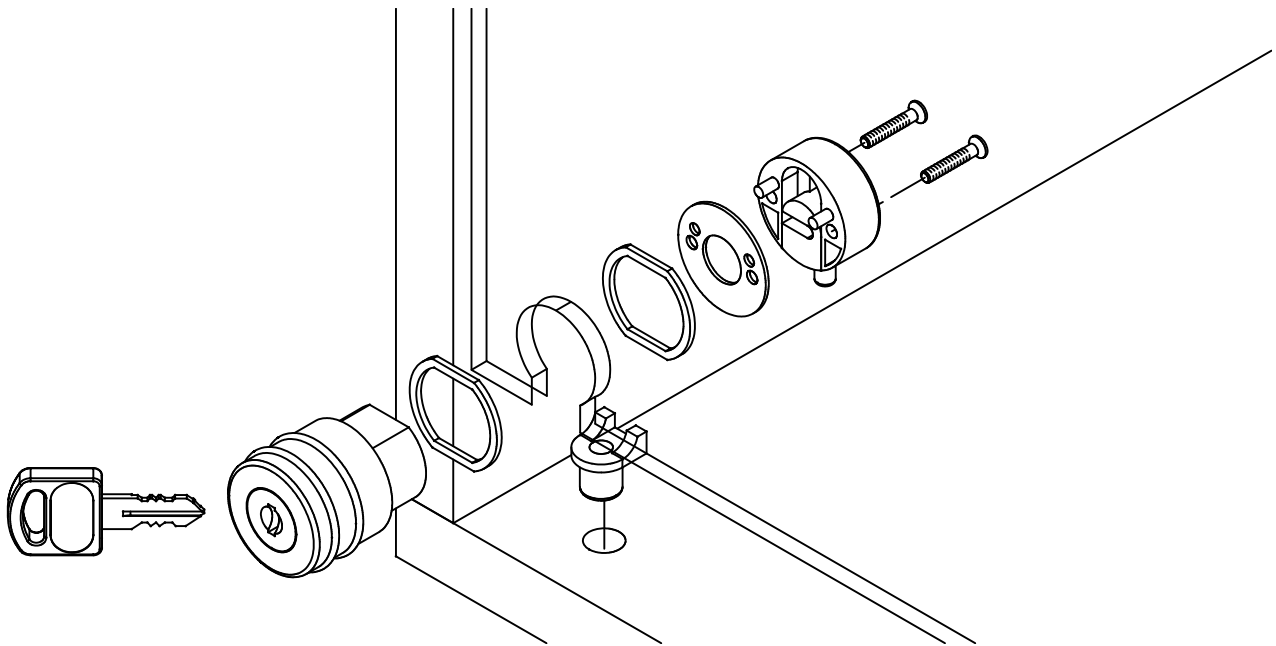
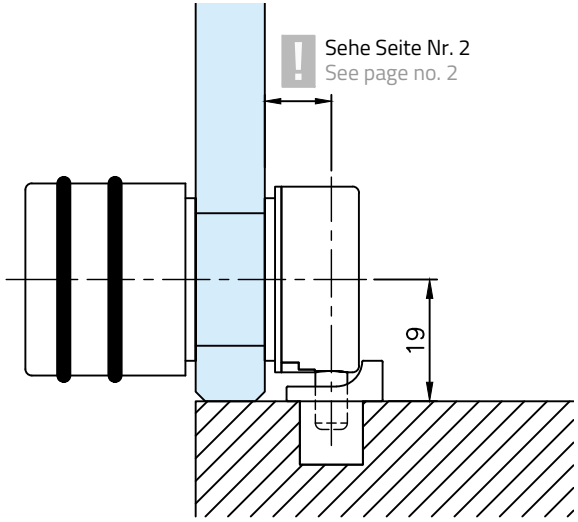
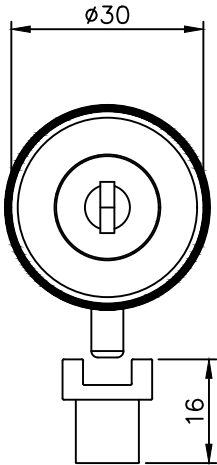
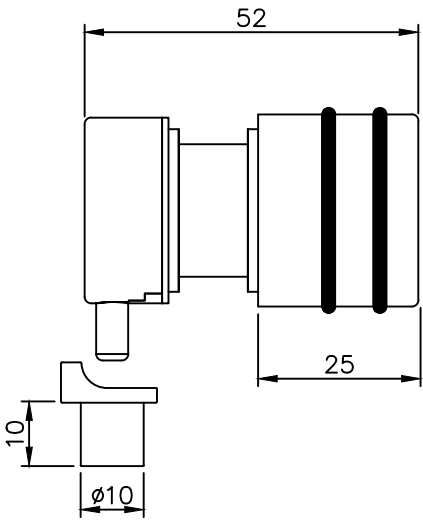
Material:  
Material:

Zink  
Zinc

Gewicht: / Weight: 0,195 kg

Oberflächen:  
Finish:

Silber matt eloxiert  
silver matt anodized

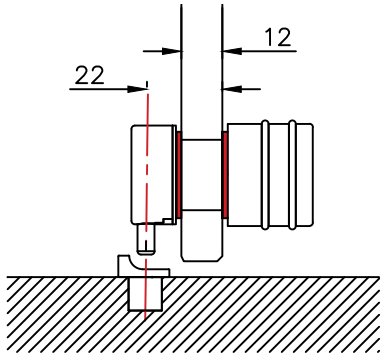
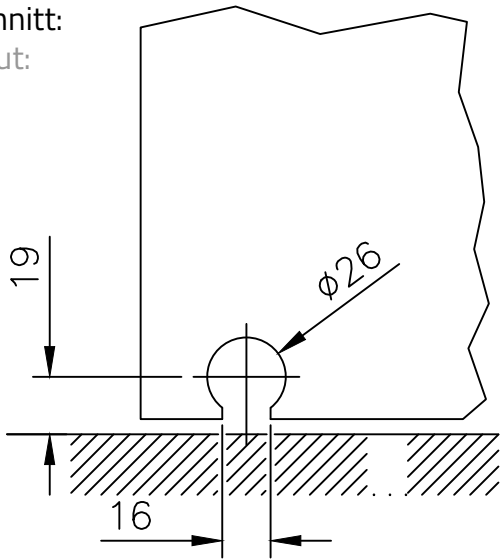


Technische Daten:  
Vitrinenschloß - 1003

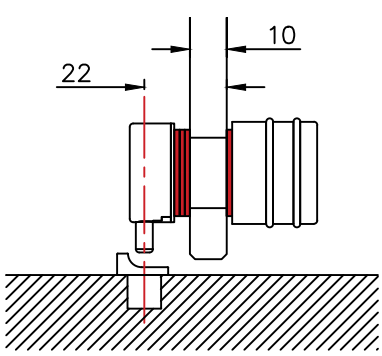
Datasheet:  
Showcase lock - 1003

Art. 23.1003.030.46  
Art. 23.1003.031.46

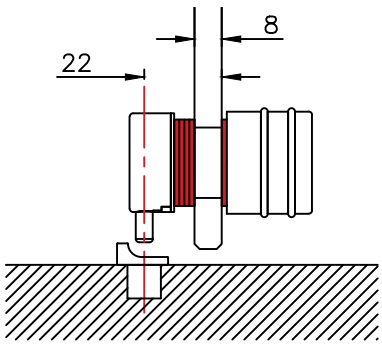
Glasausschnitt:  
Glass cutout:



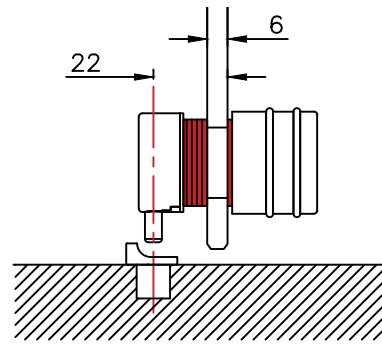
12 mm Glas = 2 Gummiringe  
12 mm glass = 2 rubbers



10 mm Glas = 4 Gummiringe  
10 mm glass = 4 rubbers



8 mm Glas = 5 Gummiringe  
8 mm glass = 5 rubbers



6 mm Glas = 6 Gummiringe  
6 mm glass = 6 rubbers

Only  
Art. 23.1003.031.46

## Zylinderwechseln change the cylinder

