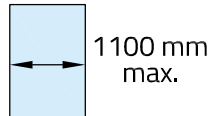
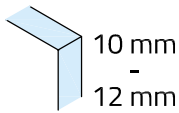


Patch fitting door systems

Glasbearbeitung für Pendeltür Beschläge
7745215x000-xx

Glass cut-out for glass door patch fittings
7745215x000-xx

Ausführung:
Options:

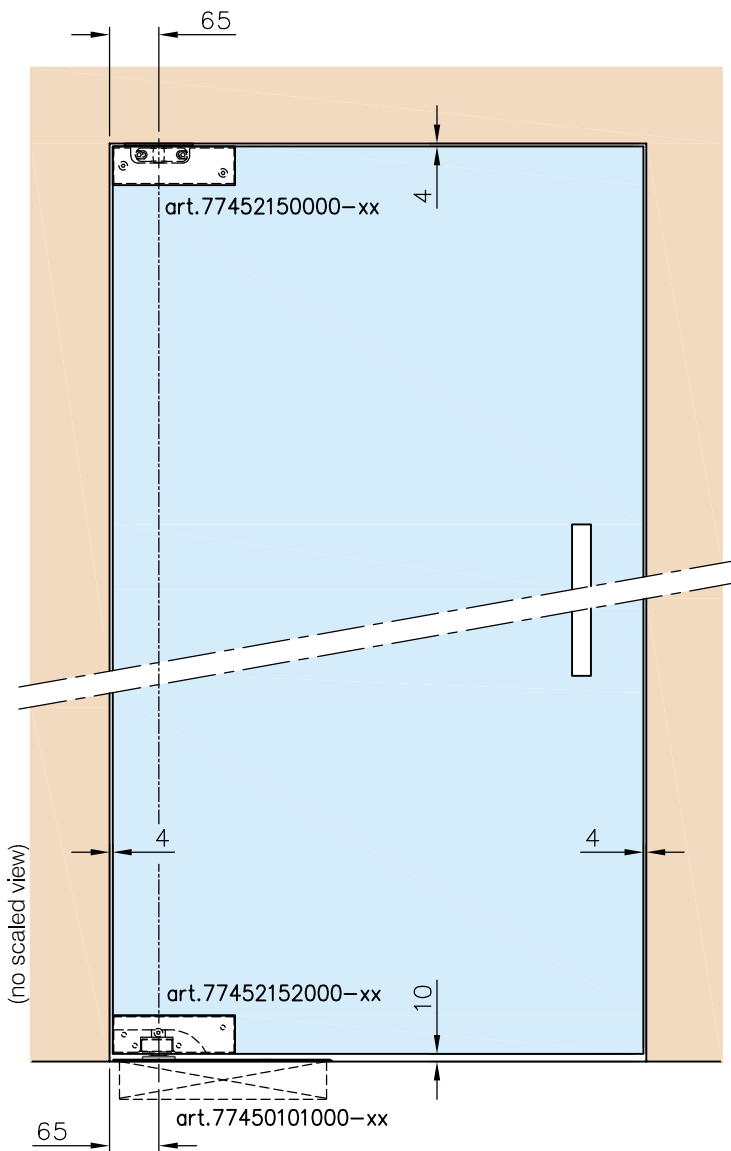


Material: V2A
Material: Stainless steel AISI 304

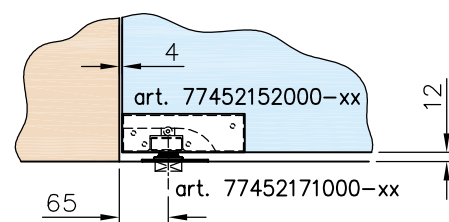
Oberflächen: Finish:	Edelstahl-Design Stainless steel design	Anthrazit-Design Anthracite design
-------------------------	--	---------------------------------------

G-FITTINGS GmbH

Marie-Curie-Straße 16-18
46446 Emmerich am Rhein
T +49 (0)2822 962 0
F +49 (0)2822 962 221
E sales@g-fittings.com



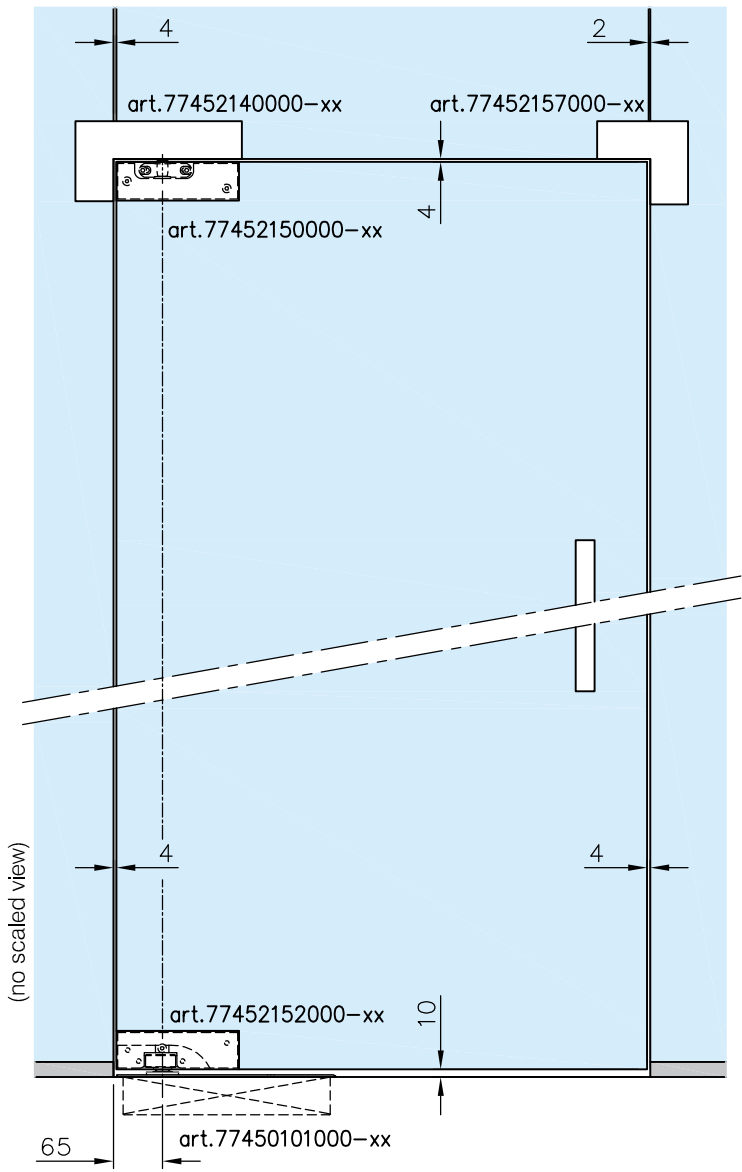
mit Bodentürschliesser hydraulisch
with floor door closer hydraulic



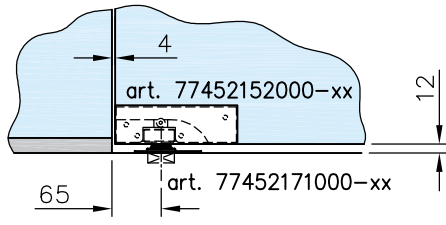
mit Bodenspindel
with floor spindle

Glasbearbeitung für Pendeltür Beschläge
 7745215x000-xx
 Glass cut-out for glass door patch fittings
 7745215x000-xx

Stand 09.2023



mit Bodentürschliesser hydraulisch
 with floor door closer hydraulic

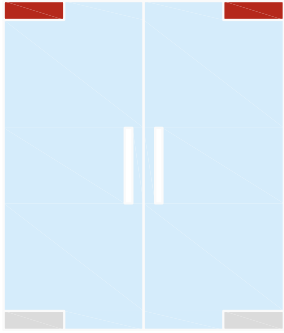
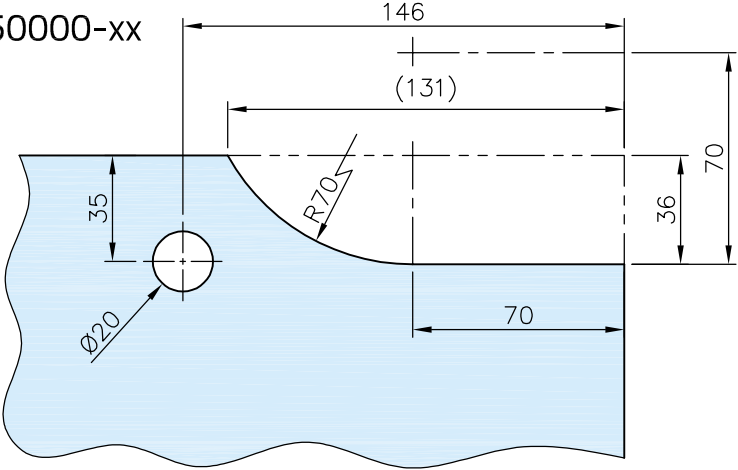


mit Bodenspindel
 with floor spindle

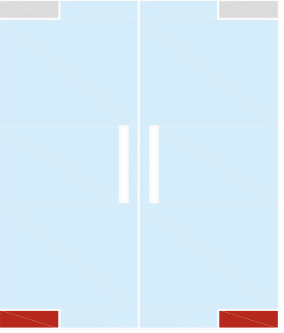
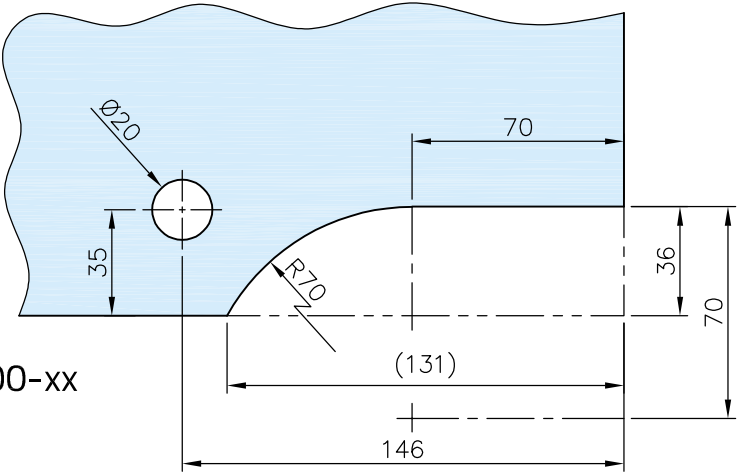
Glasbearbeitung für Pendeltür Beschläge
 7745215x000-xx
 Glass cut-out for glass door patch fittings
 7745215x000-xx

Stand 09.2023

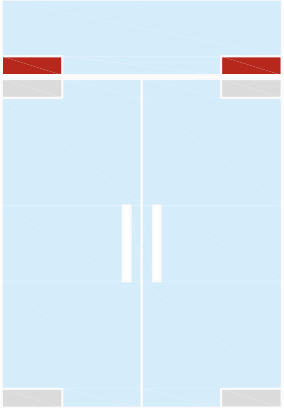
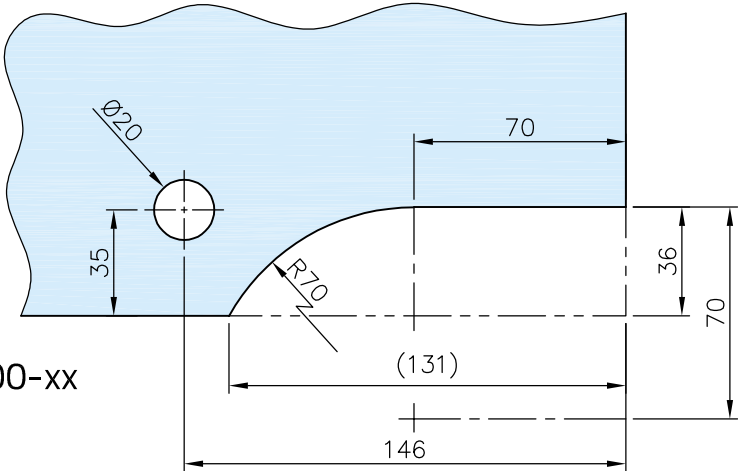
art. 77452150000-xx
 "DARA"



77452152000-xx
 "ALMAIDE"



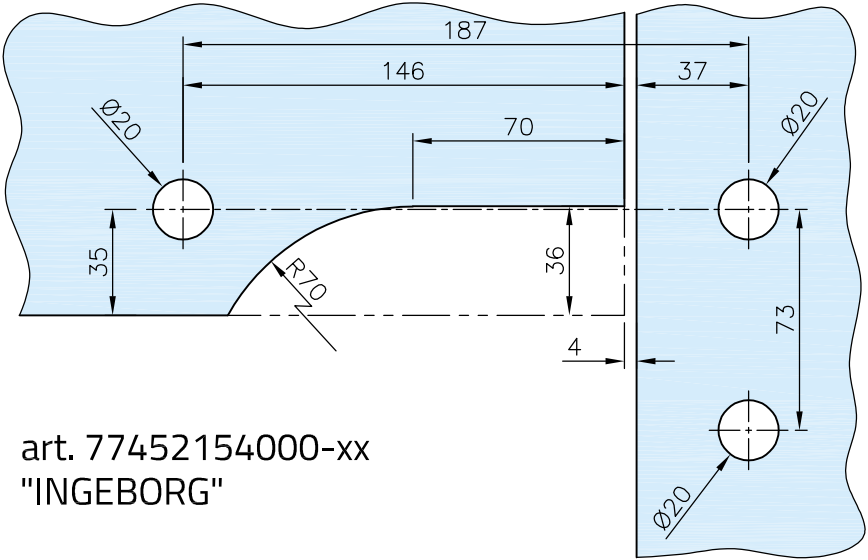
77452153000-xx
 "KAREN"



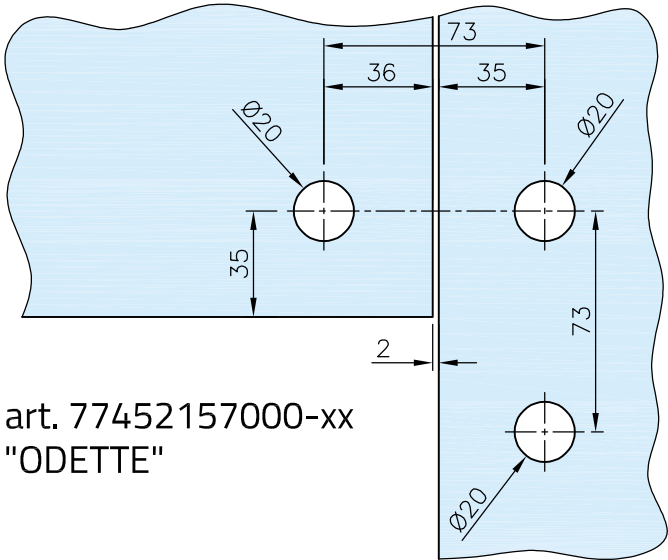
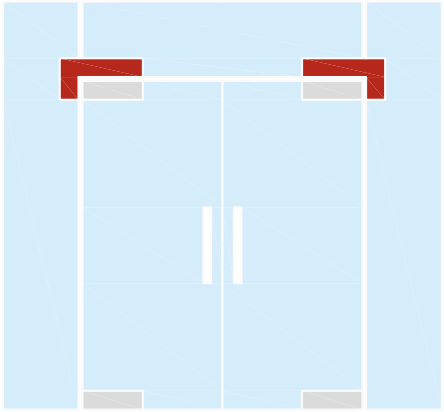
Patch fitting door systems

Glasbearbeitung für Pendeltür Beschläge
 7745215x000-xx
 Glass cut-out for glass door patch fittings
 7745215x000-xx

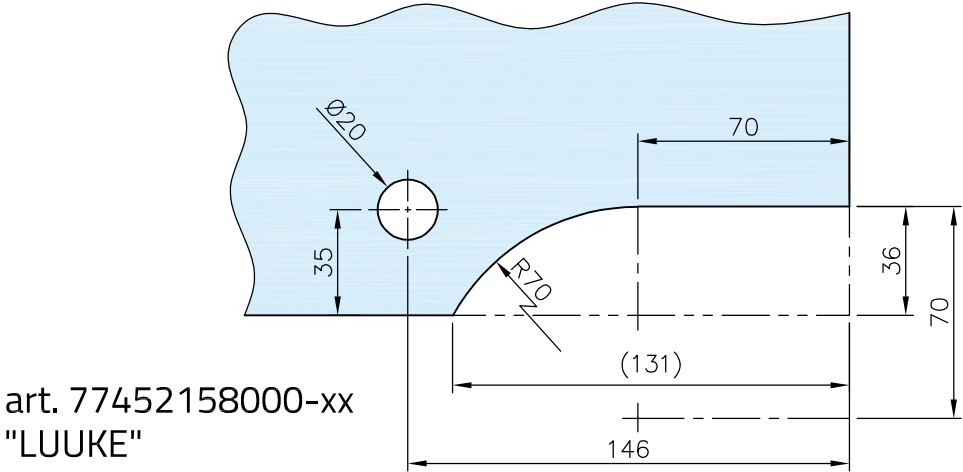
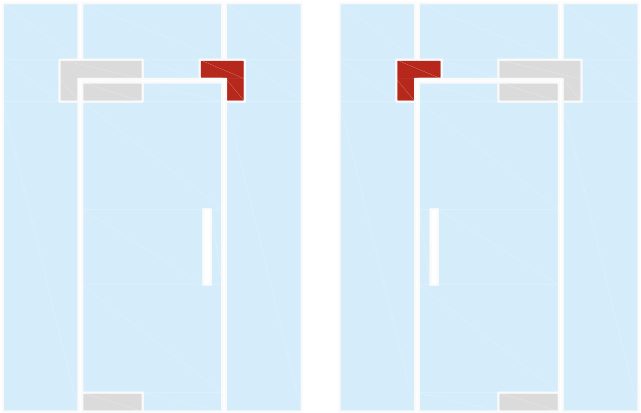
Stand 09.2023



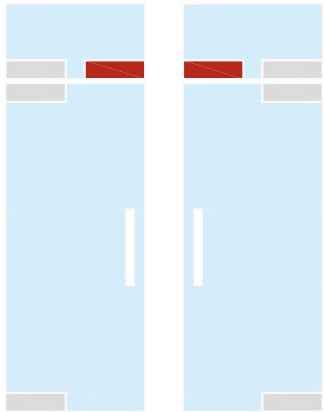
art. 77452154000-xx
 "INGEBORG"



art. 77452157000-xx
 "ODETTE"



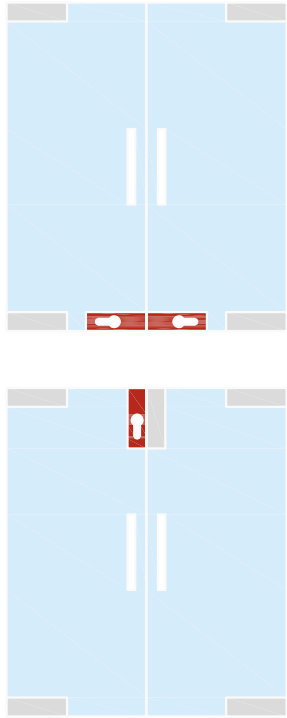
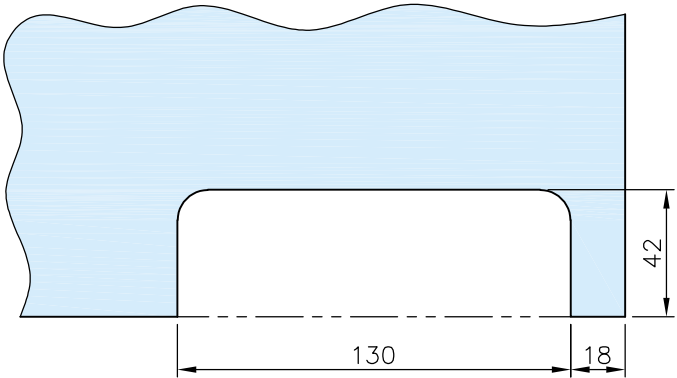
art. 77452158000-xx
 "LUUKE"



Glasbearbeitung für Pendeltür Beschläge
7745215x000-xx
Glass cut-out for glass door patch fittings
7745215x000-xx

Stand 09.2023

art. 77452155000-xx
"FREYA"



art. 77452156000-xx
"FIEN"

