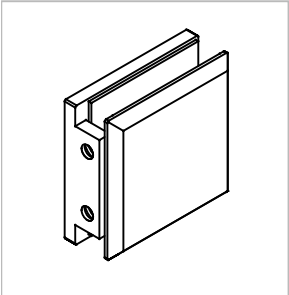
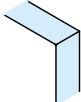


Technische Daten:
Winkelverbinder 90° - SONA

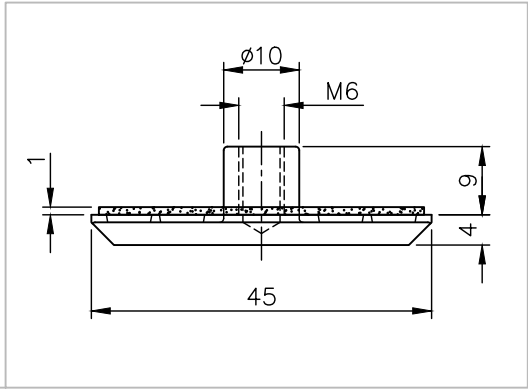
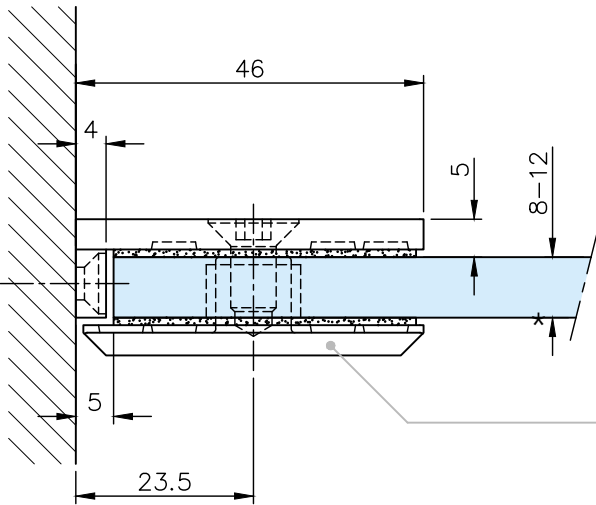
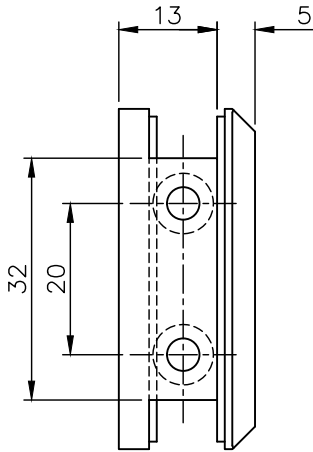
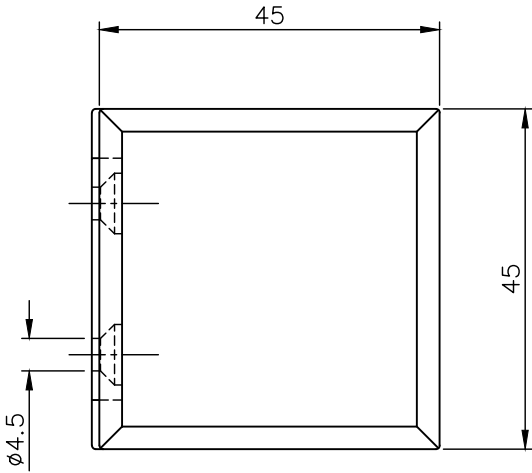
Datasheet:
Corner clamp 90° - SONA

Art. 40.4115.090.10
Art. 40.4115.090.12
Art. 40.4115.090.26



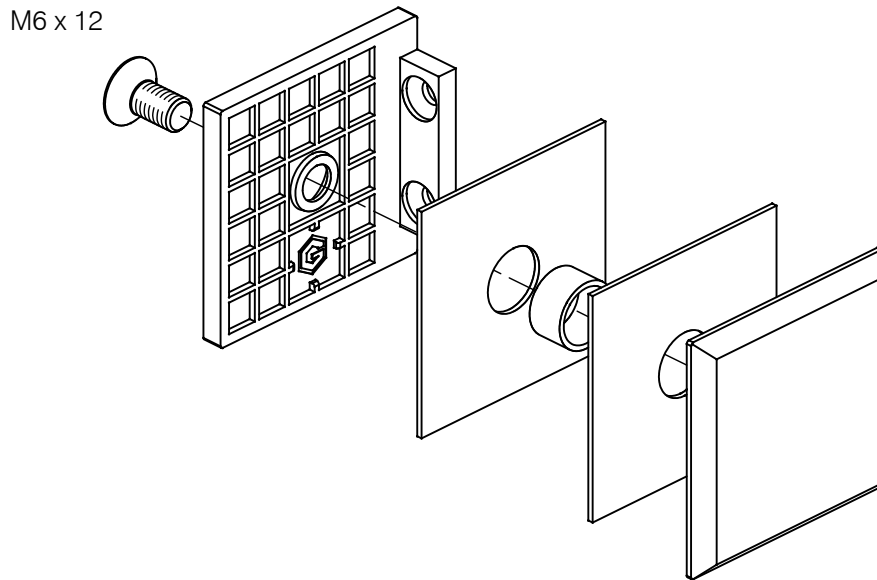
Ausführung:
Options:  8 mm
12 mm

Material:	V2A	Gewicht: / Weight: 0,120 kg		
Material:	Stainless steel AISI 304			
Oberflächen:	Edelstahl-Design	Chrom-Design	Anthrazit-Design	
Finish:	Stainless steel design	Chrome design	Anthracite design	

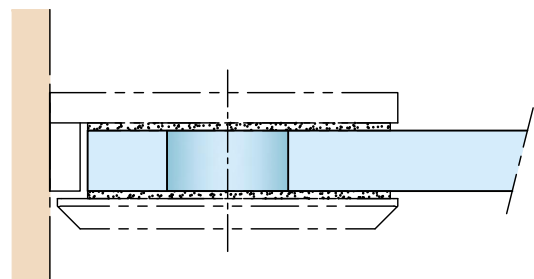
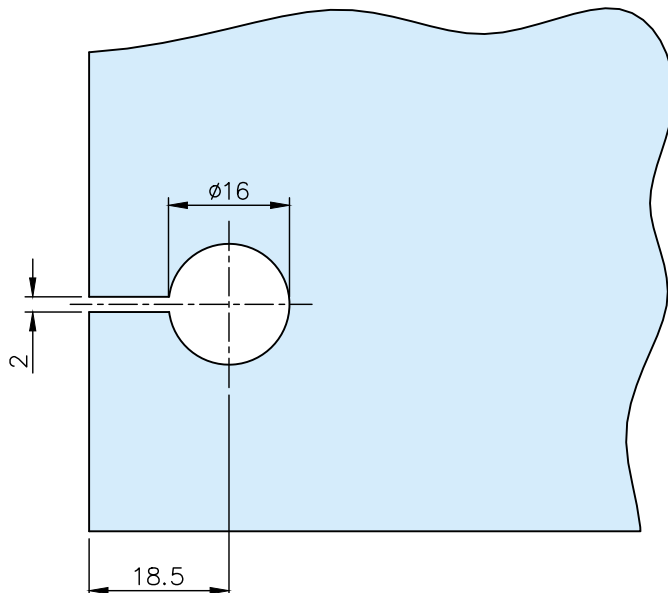


* drawing shows 8mm glass

Art. 40.4115.090.10
Art. 40.4115.090.12
Art. 40.4115.090.26



Glasbearbeitung:
Glass preparation:



G-FITTINGS GmbH

Marie-Curie-Straße 16-18
46446 Emmerich am Rhein
T +49 (0)2822 962 0
F +49 (0)2822 962 221
E sales@g-fittings.com
www.g-fittings.com