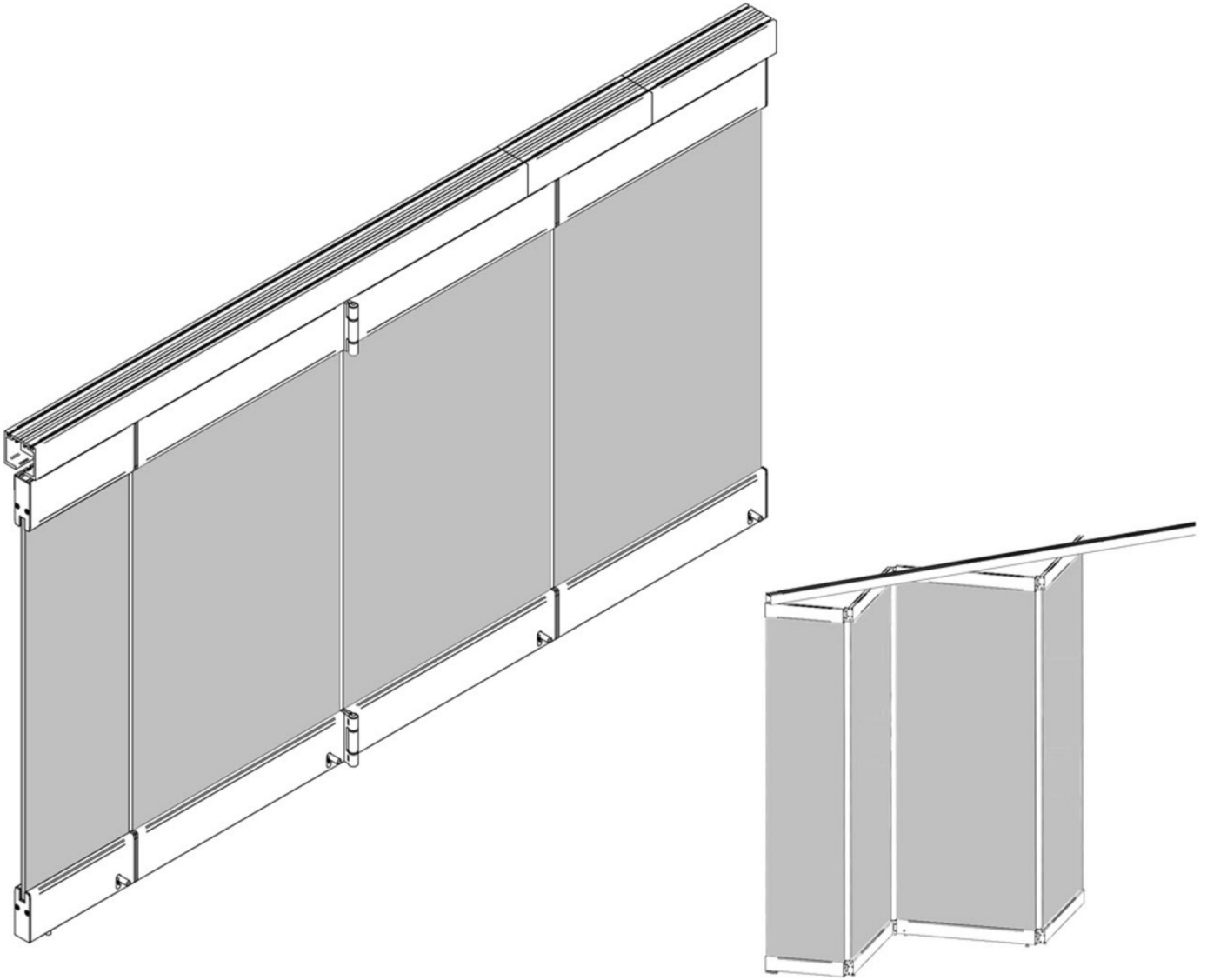


Central folding sliding doorwall - Myralijn



ASSEMBLY INSTRUCTIONS



MAX
90 KG



min. 550
MAX 1100



MAX
3000



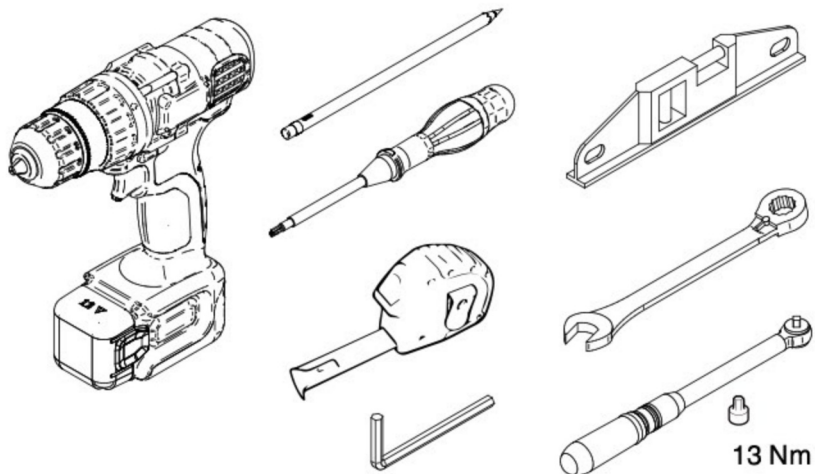
7
7+7



10 - 10,76
12 - 12,76 mm



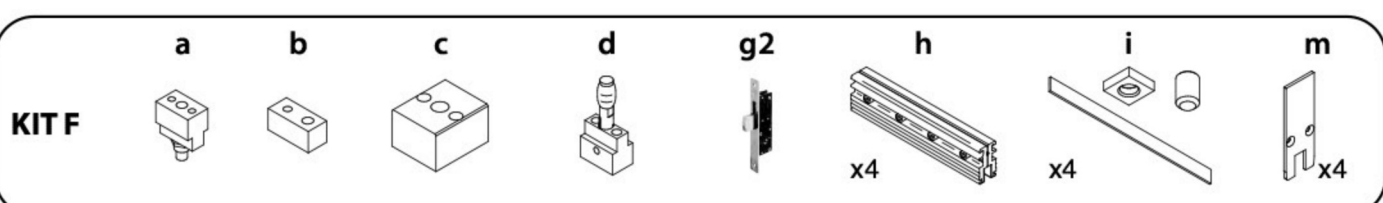
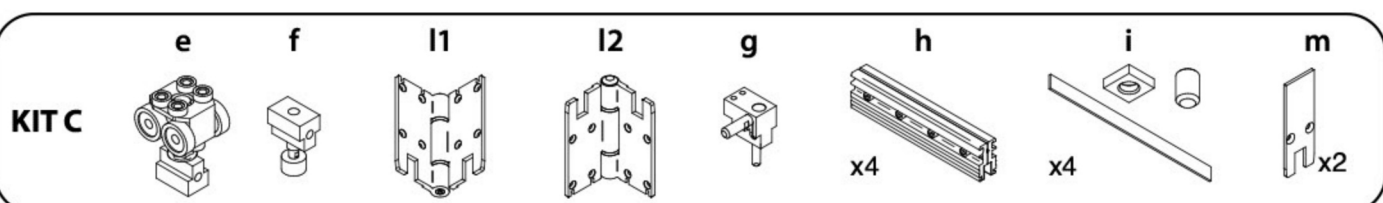
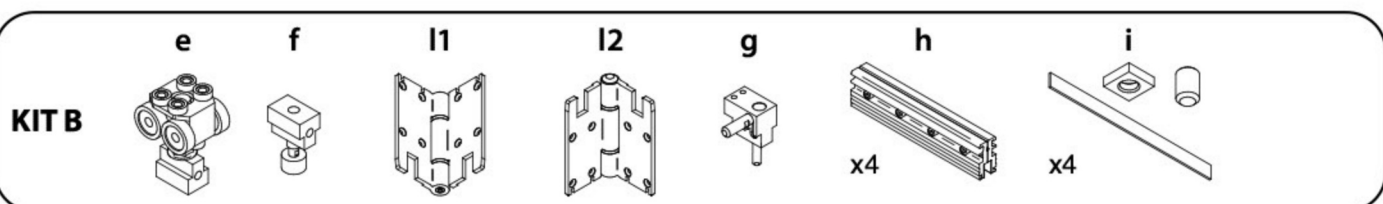
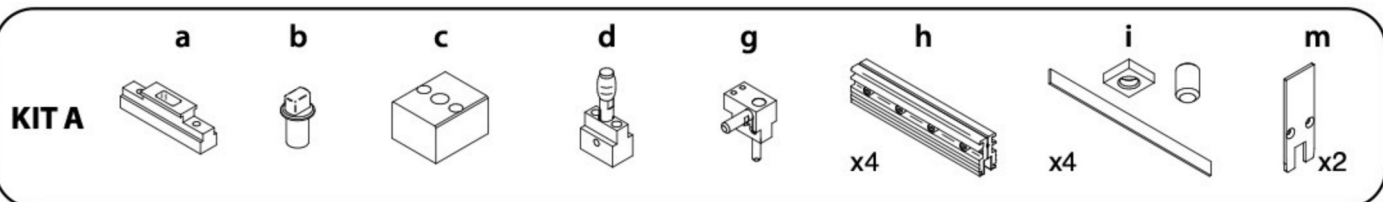
Required tool



Clean the glass and profile before installing

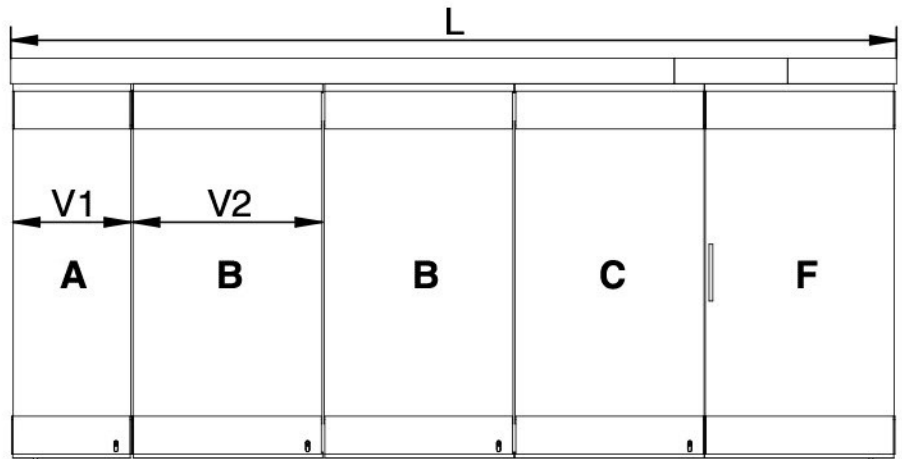
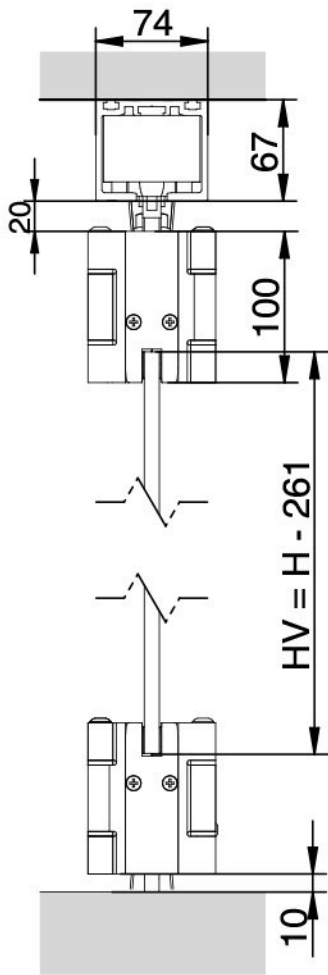
We recommend our Glass cleaner Hendrika 7791180100000

Components



PROFILES



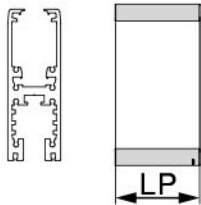


$$V2 = \frac{2L - 134 - 12N}{2N - 1}$$

N = number of panels

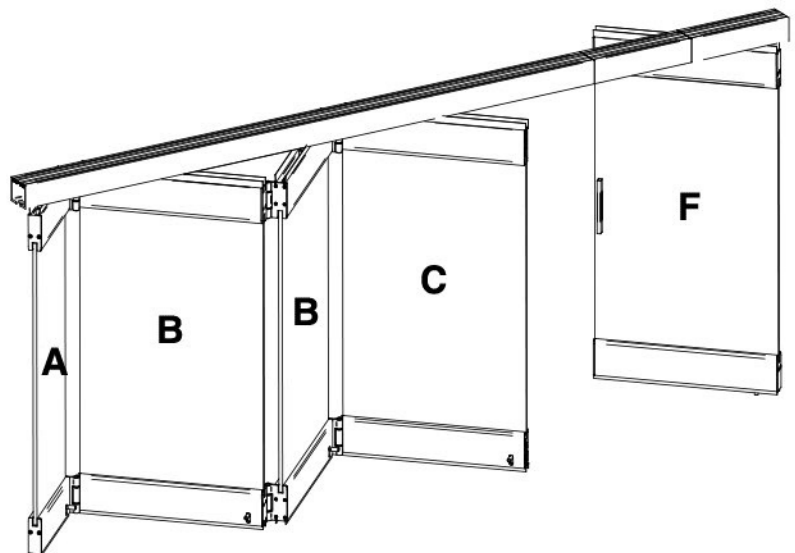
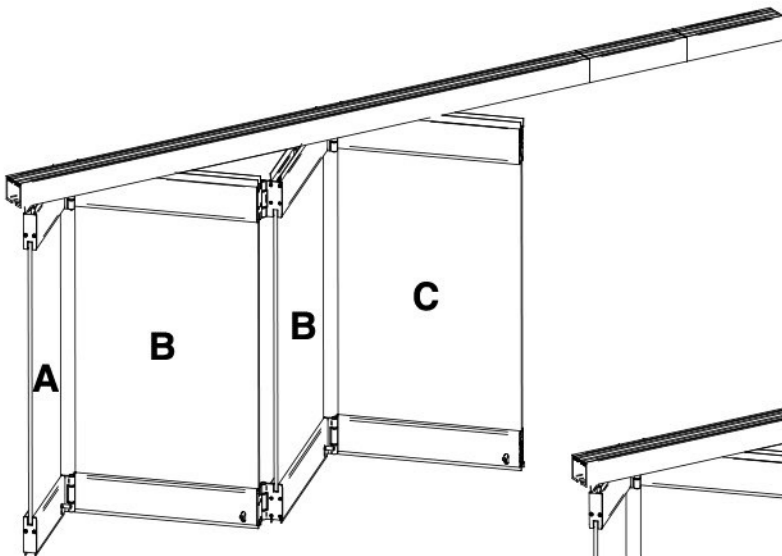
$$V1 = \frac{V2}{2} + 61$$

PROFILES

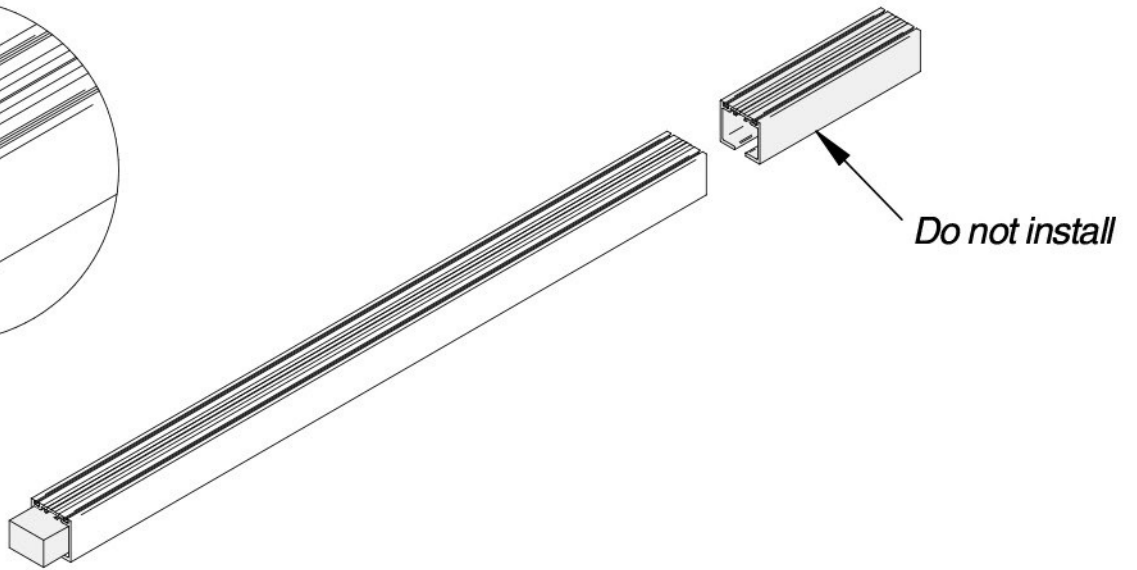
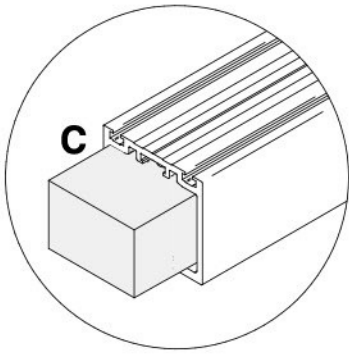


LP=LV-3

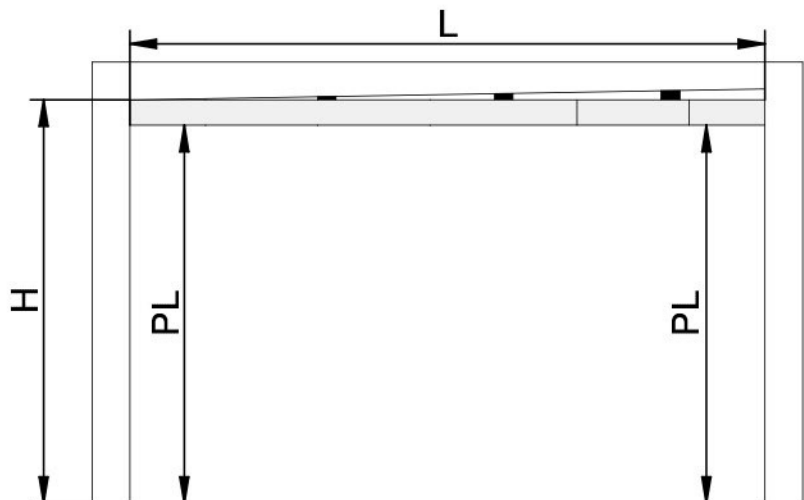
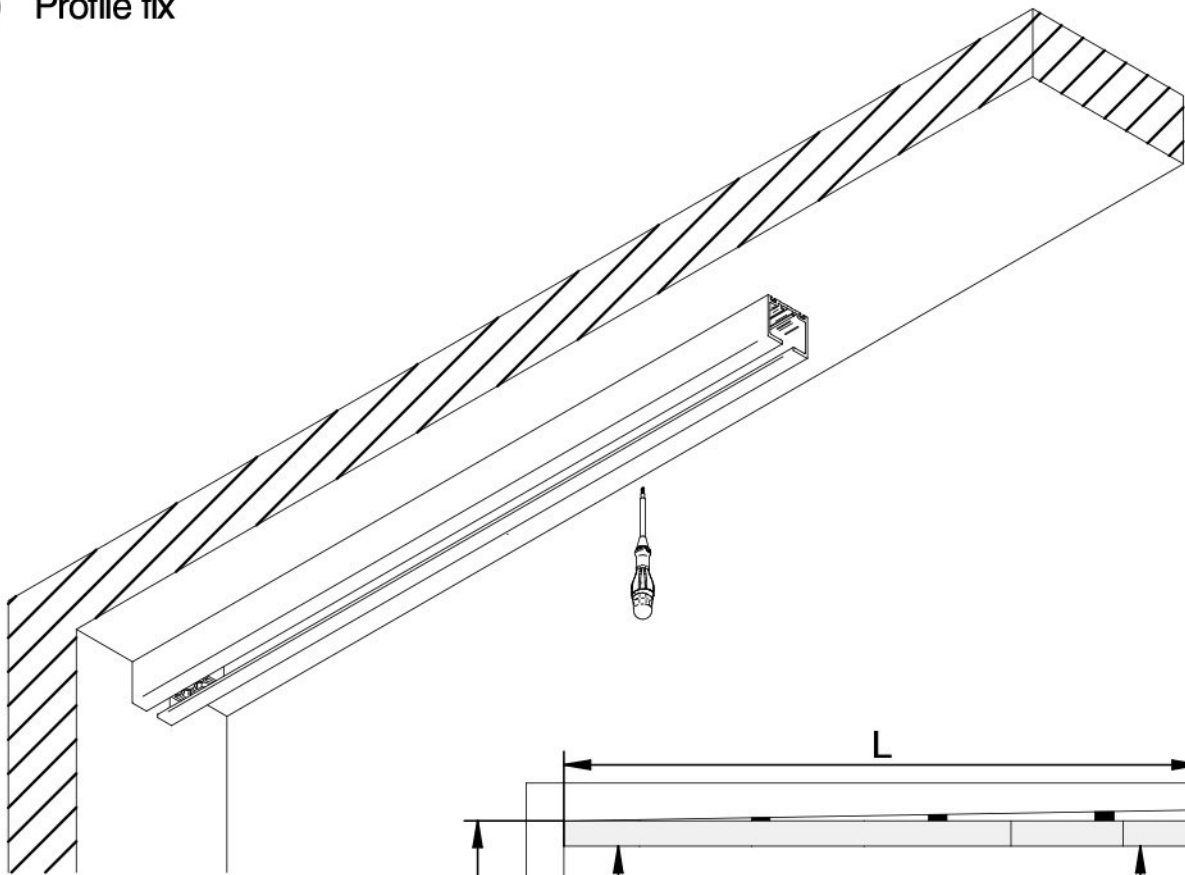
Configurations



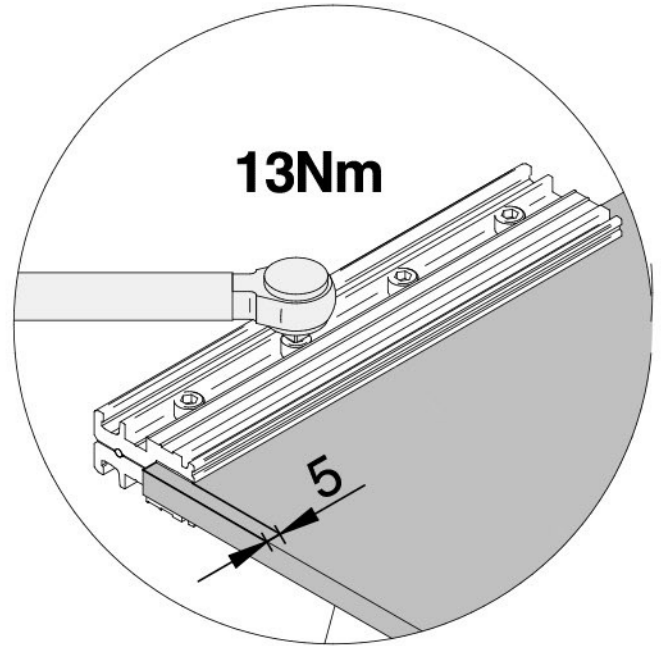
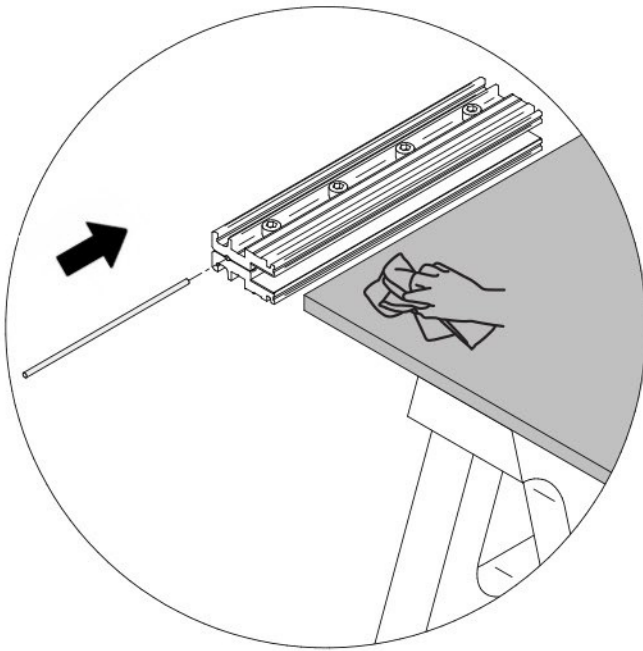
1a Profile assembly



1b Profile fix



2 Assembly clamps profile



Insert the spacer in the clamp

Place and screw the clamp on the clean panel



Ø 3

10 mm

Ø 3,5

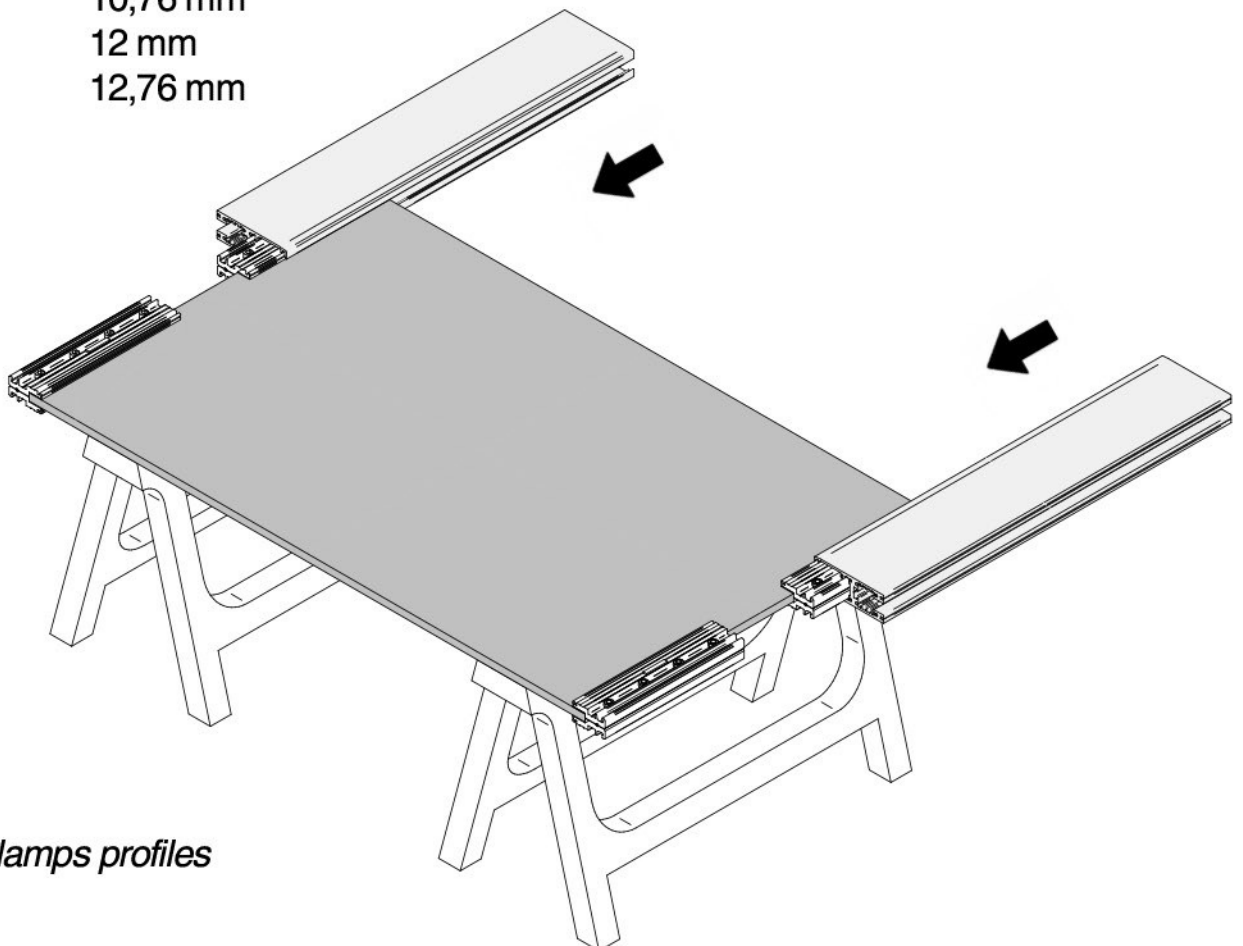
10,76 mm

Ø 4

12 mm

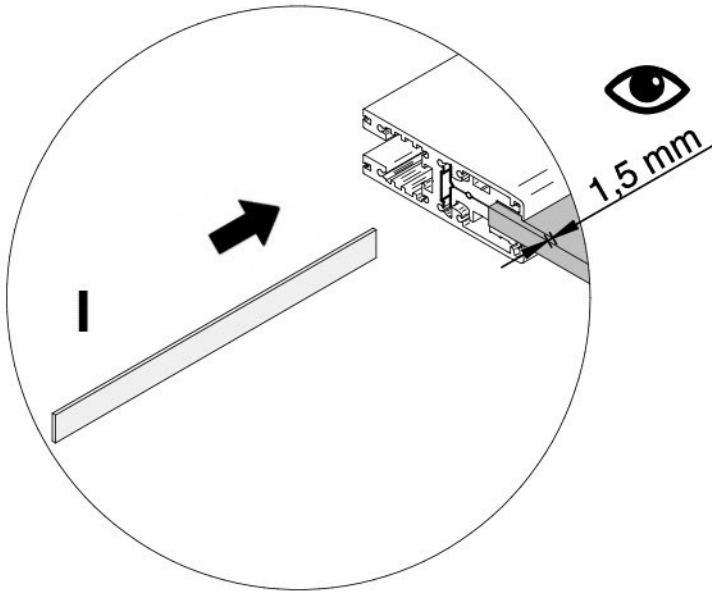
Ø 4,5

12,76 mm

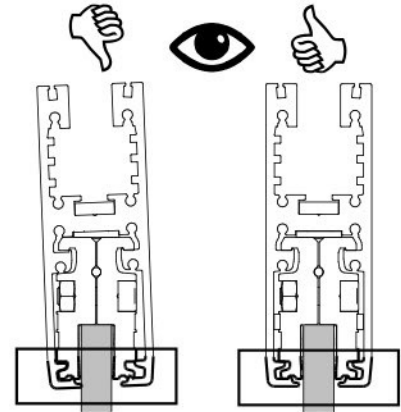


Insert clamps profiles

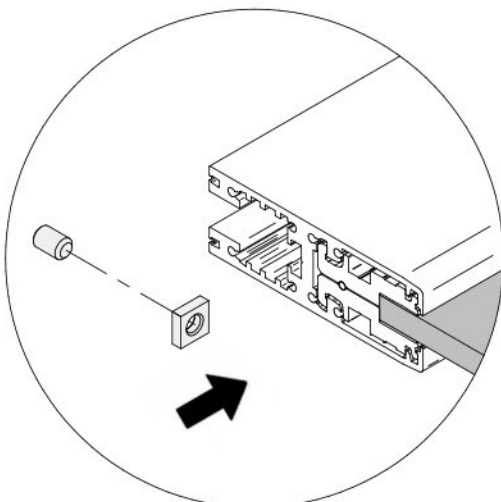
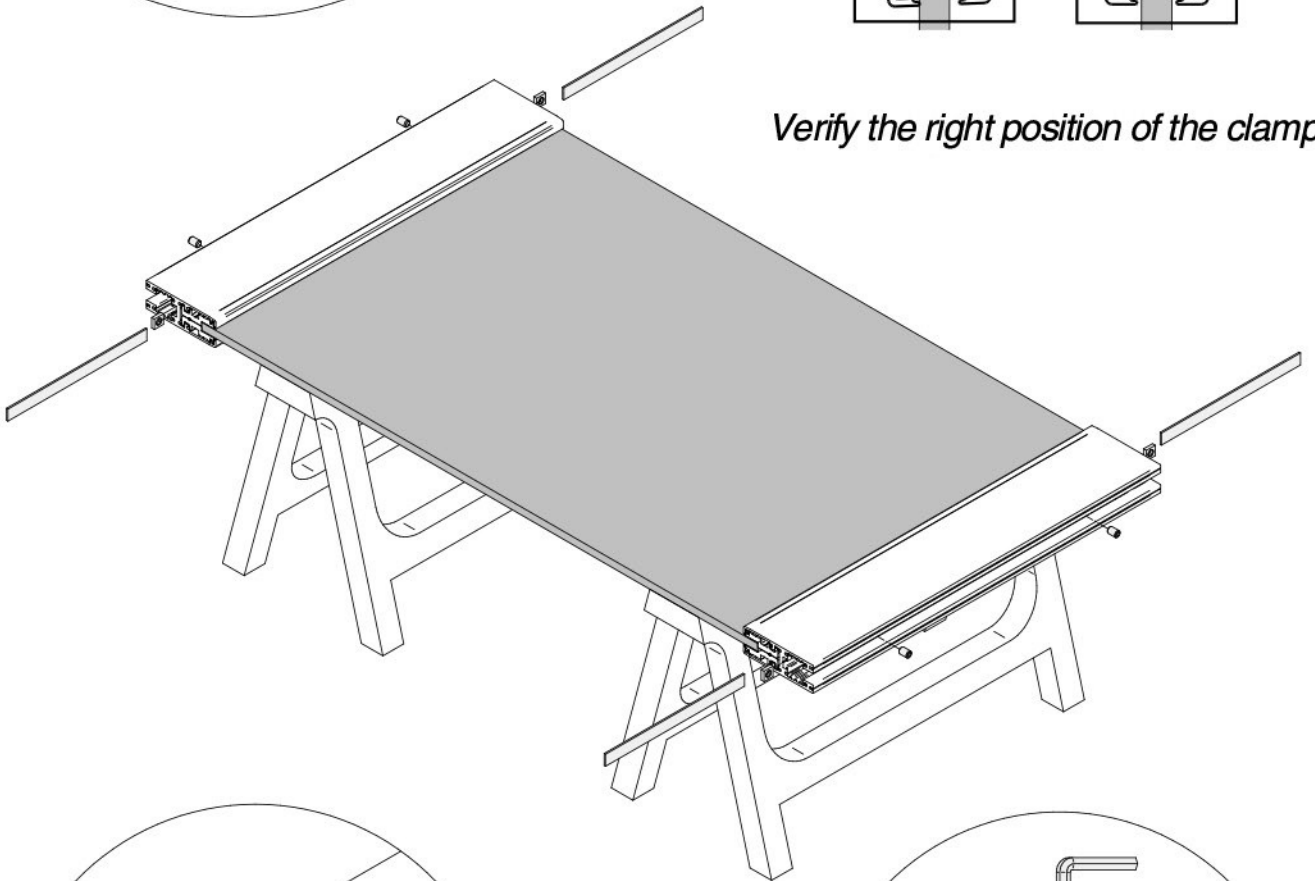
3 Tightening clamp profile



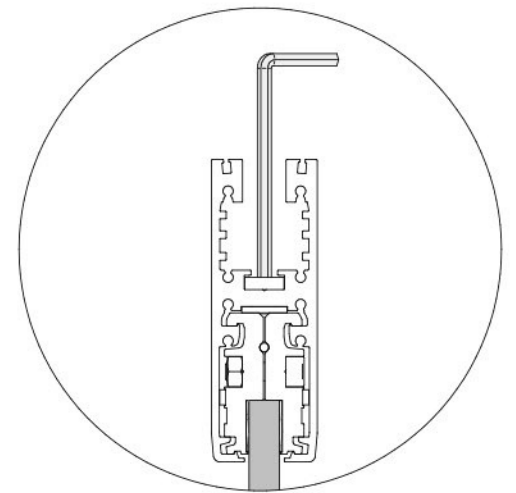
Insert the platelet in the clamp profile



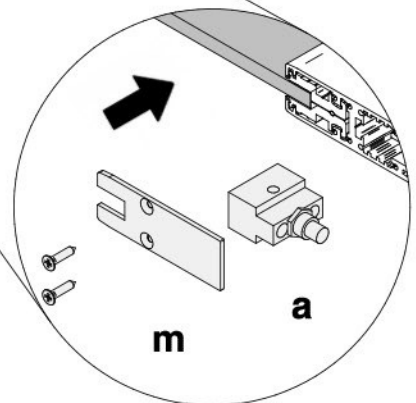
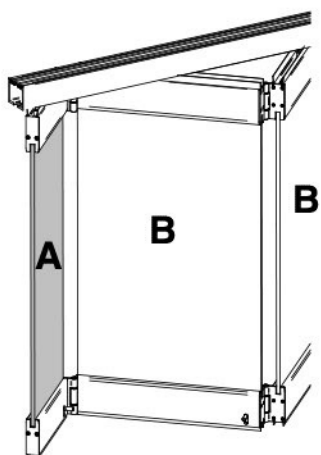
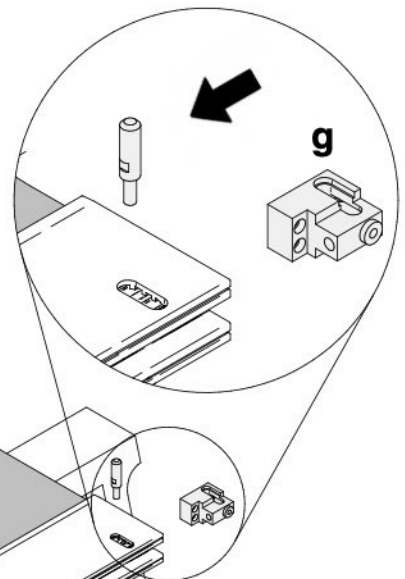
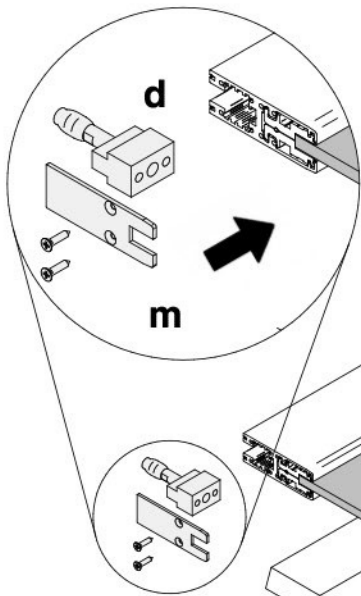
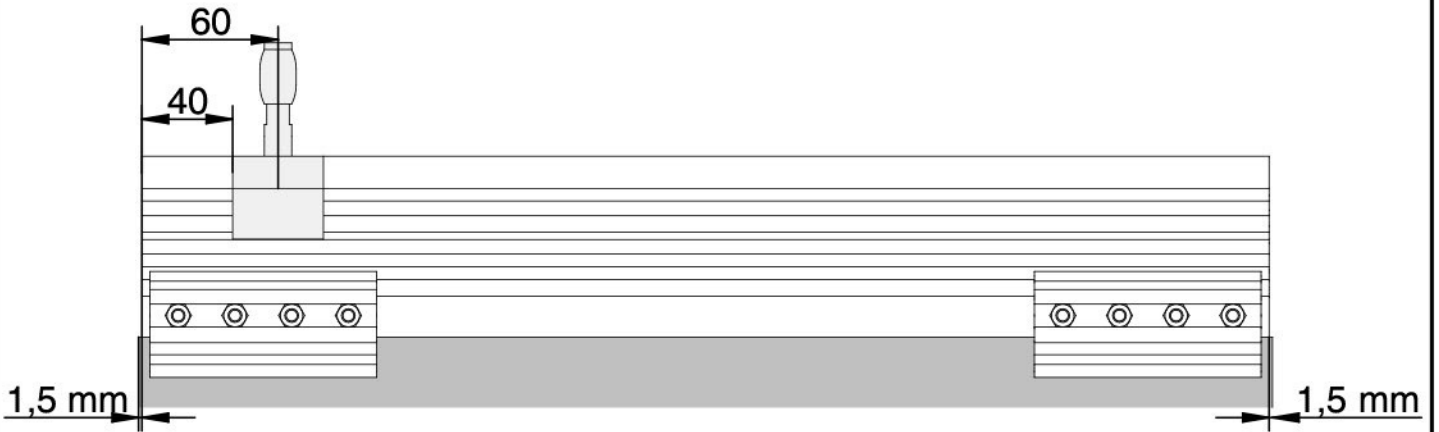
Verify the right position of the clamp



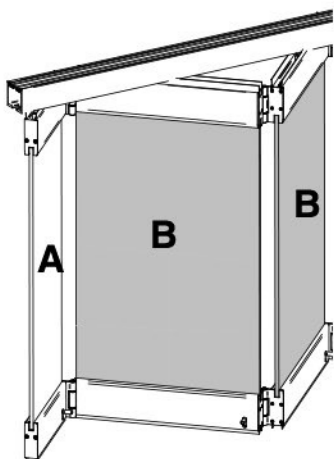
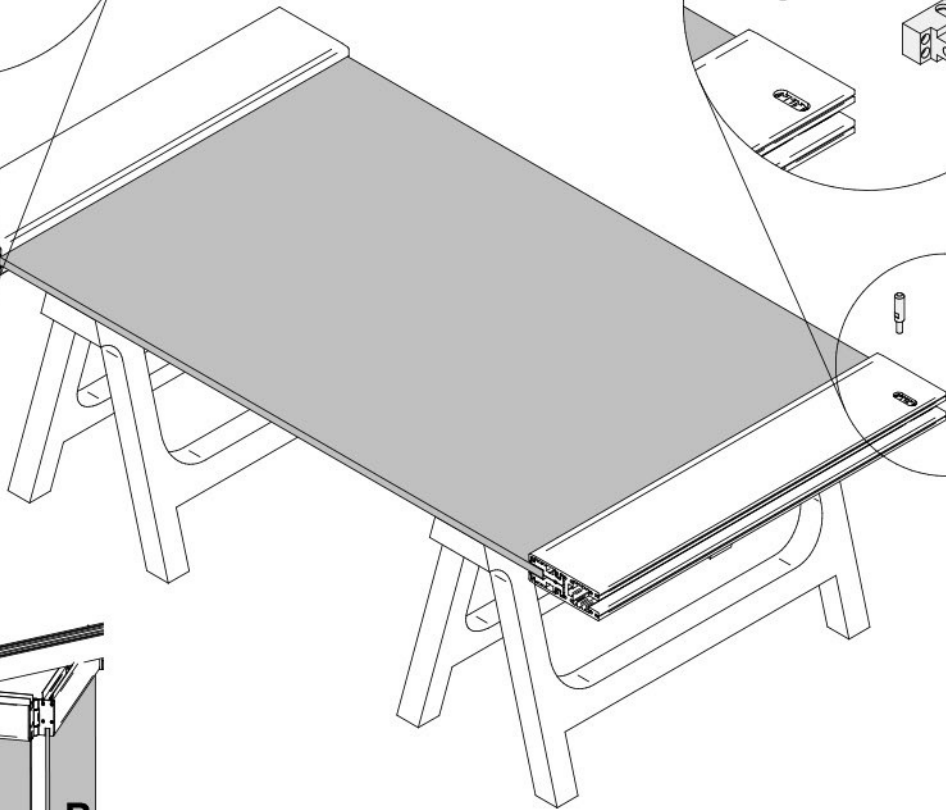
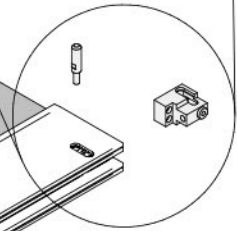
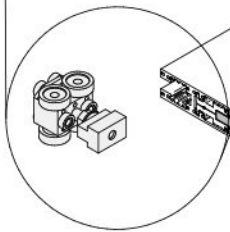
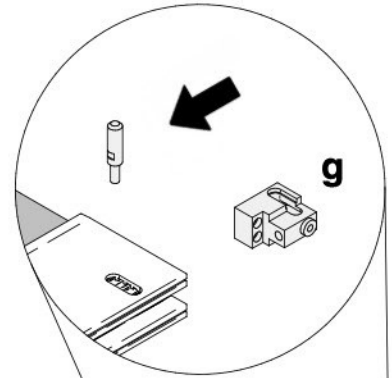
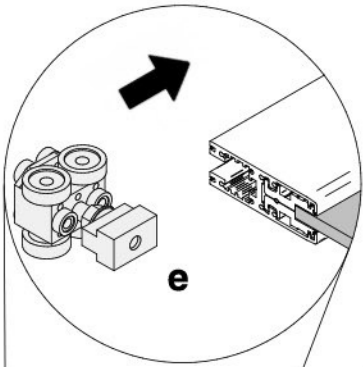
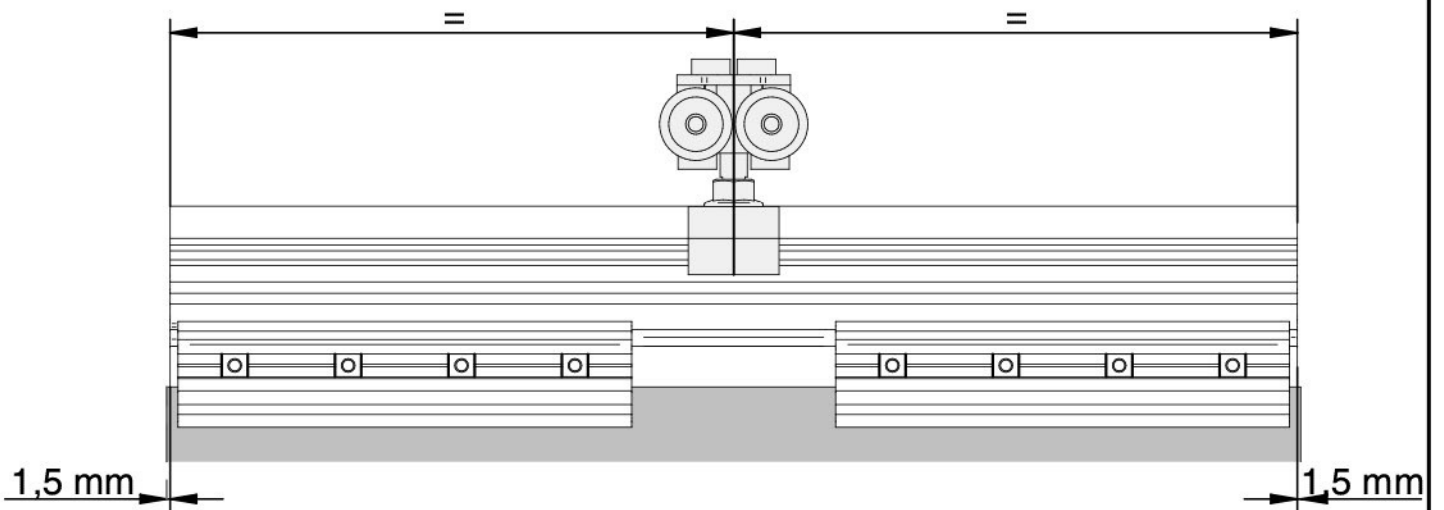
Screw



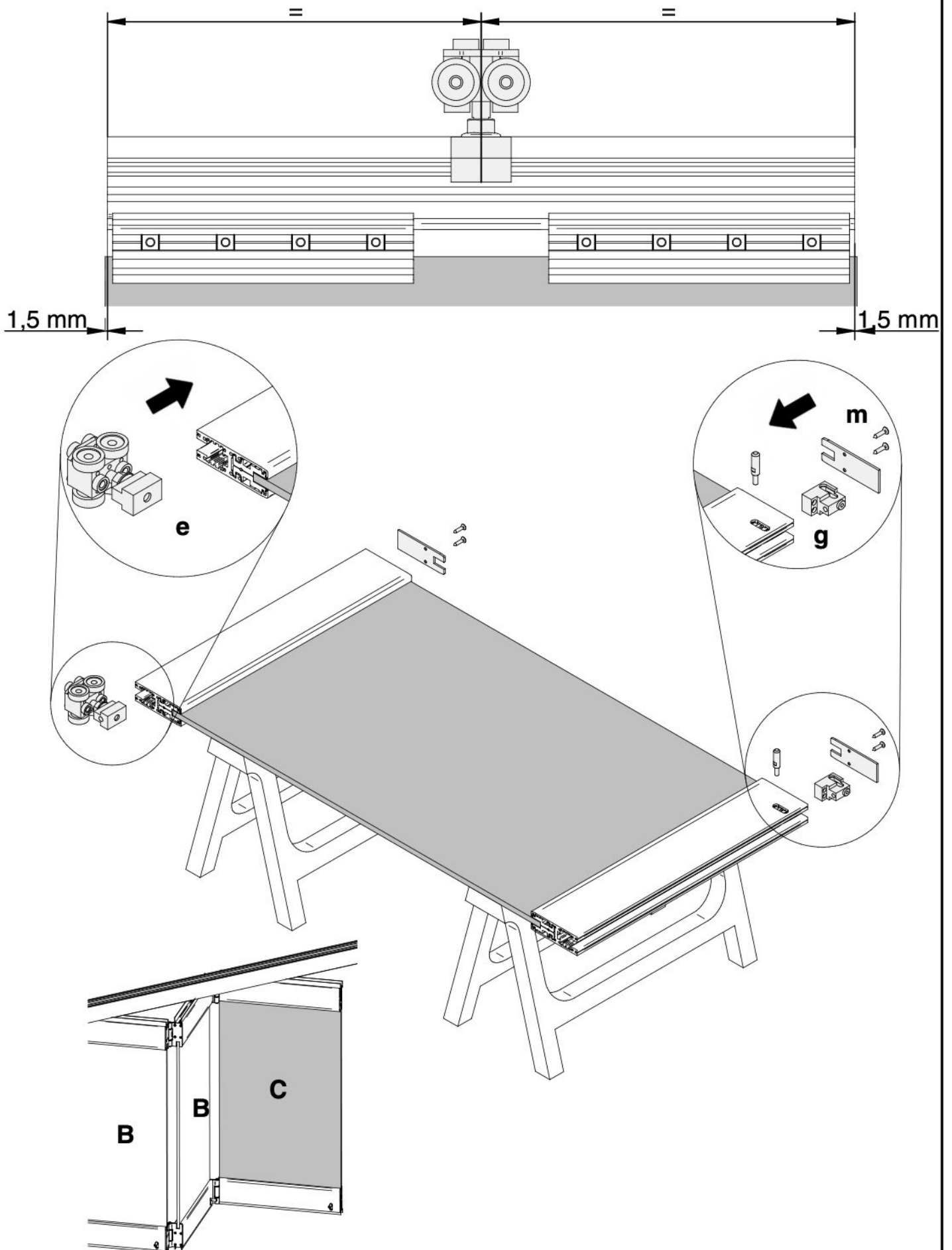
4 Assembly panel "A"



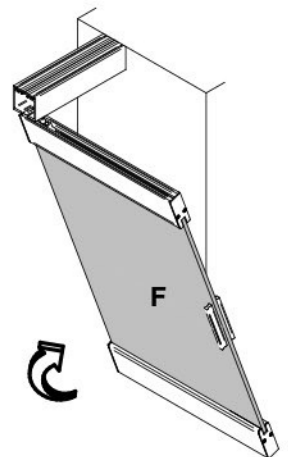
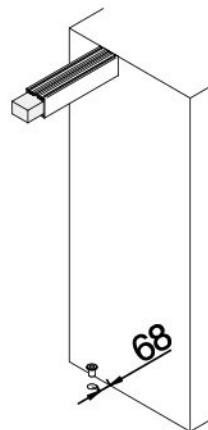
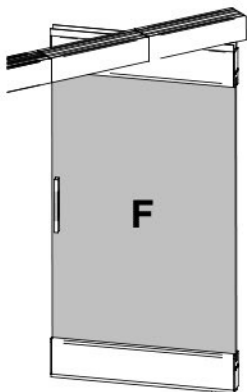
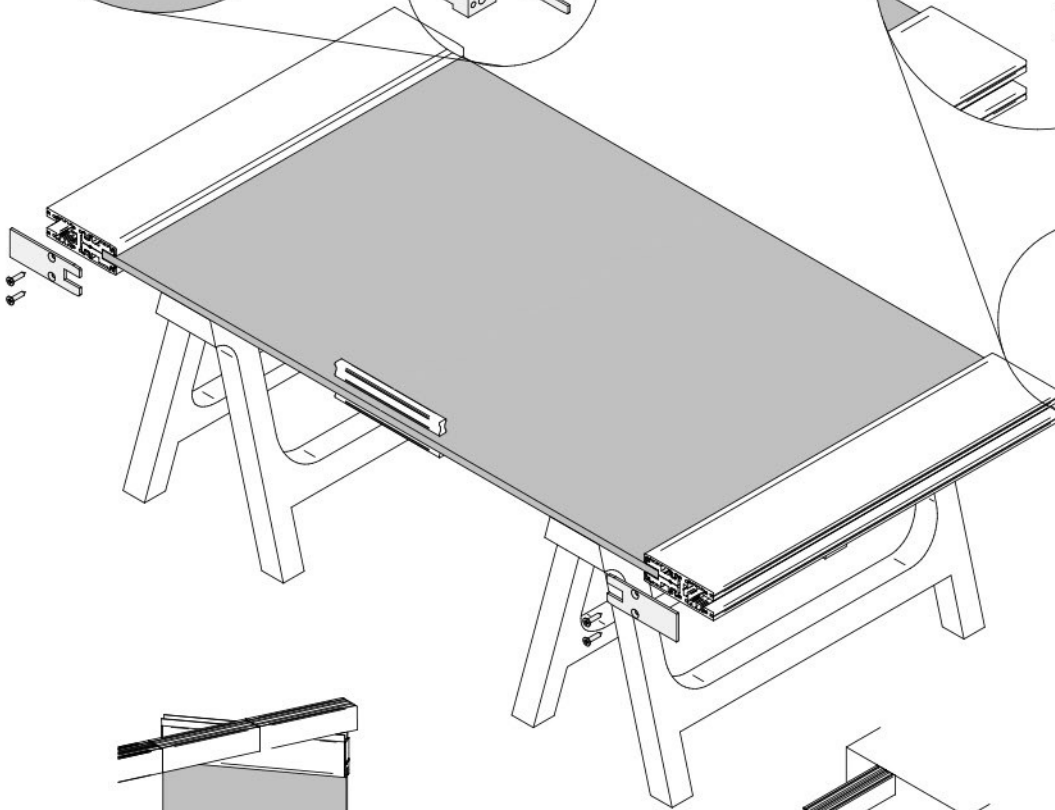
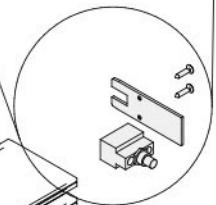
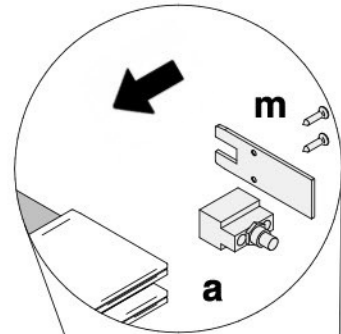
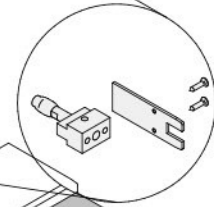
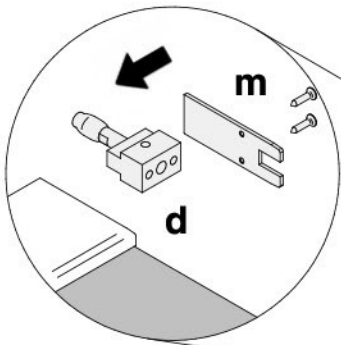
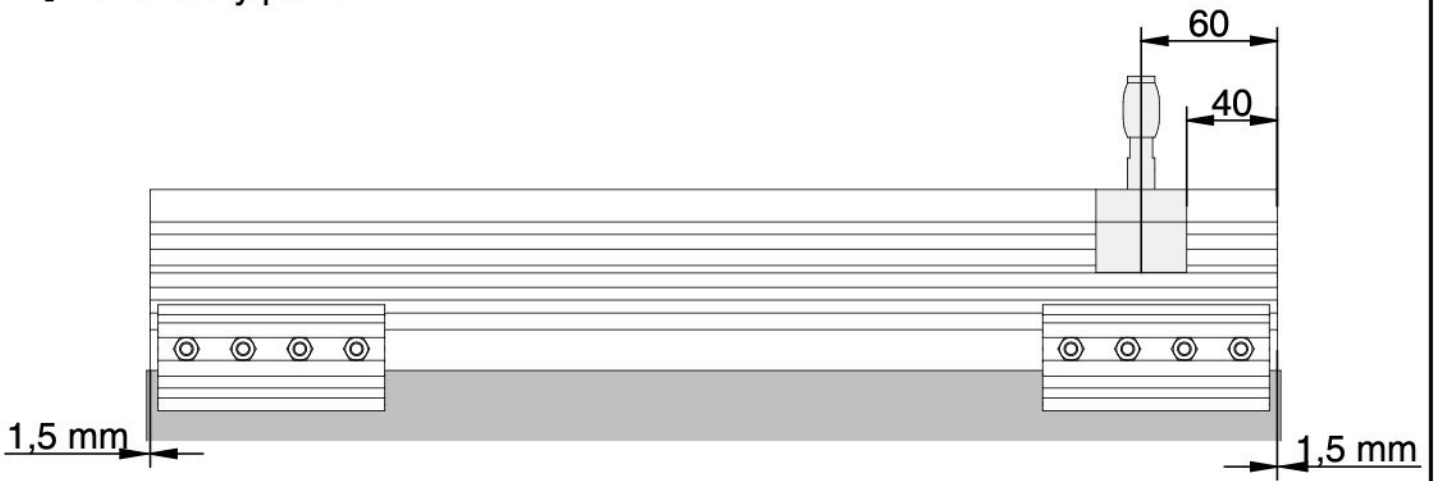
5 Assembly panel "B"



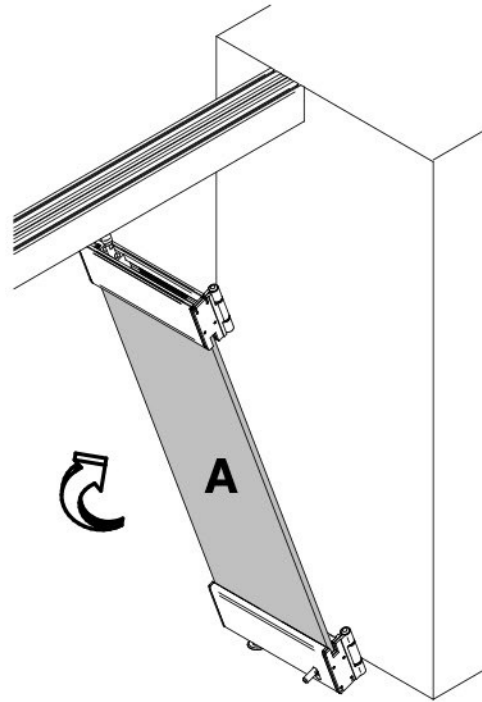
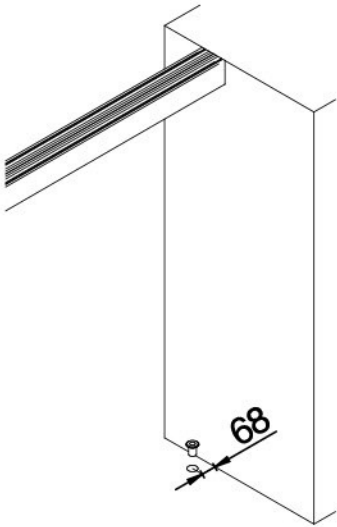
6 Assembly panel "C"



7 Assembly panel "F"



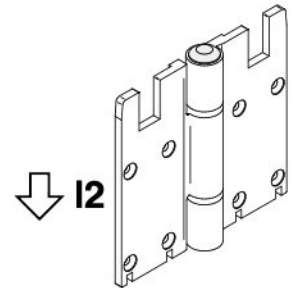
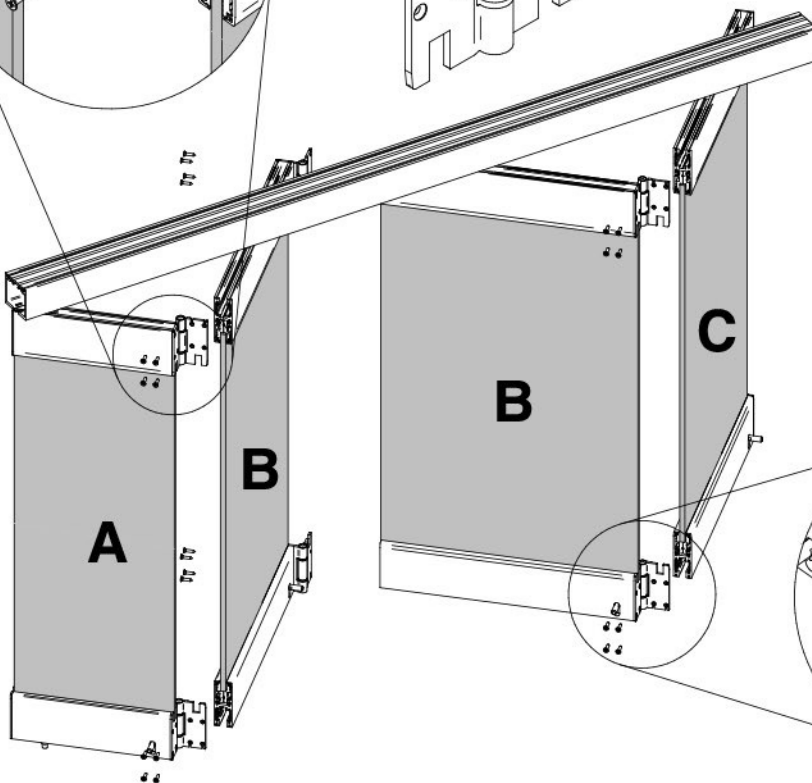
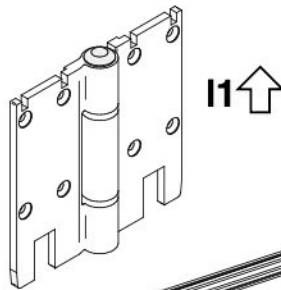
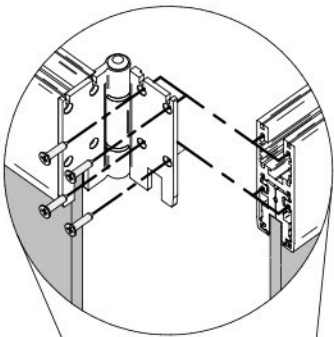
8 Mounting panel "A"



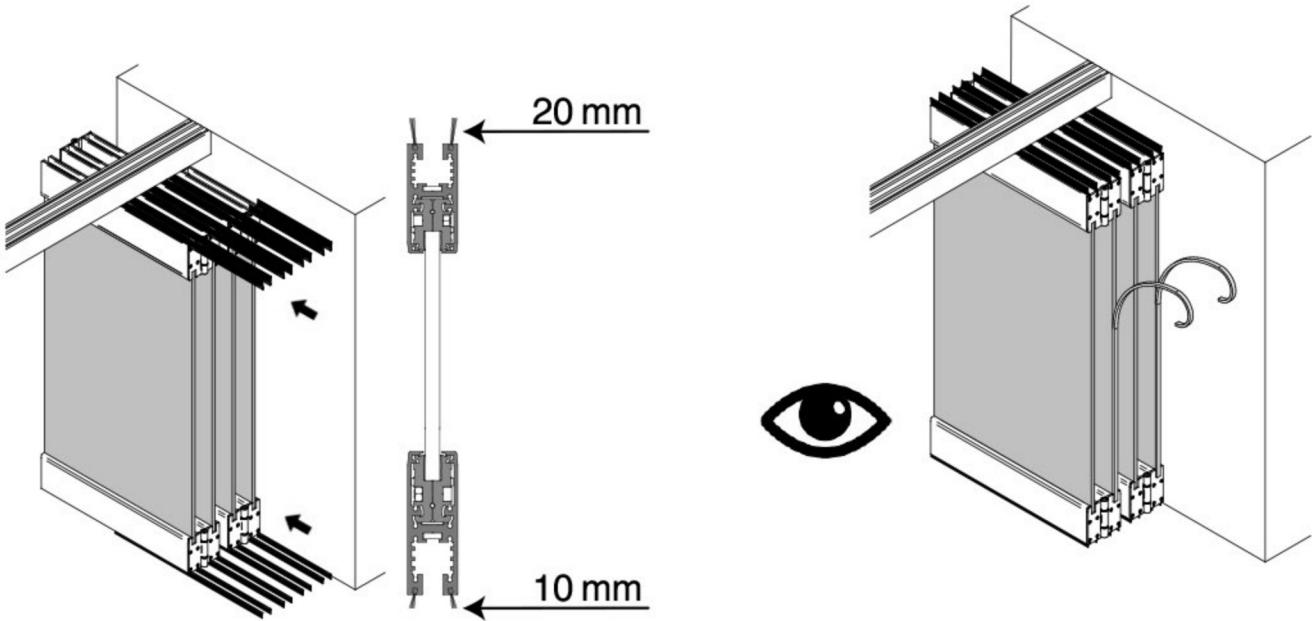
9 Panels mounting



Check the correct direction of the hinges



11 Assembly brushes and seals

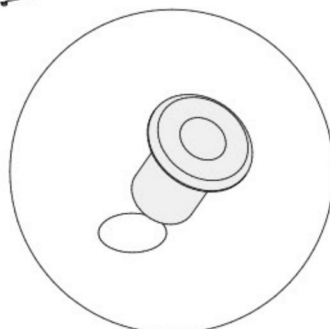
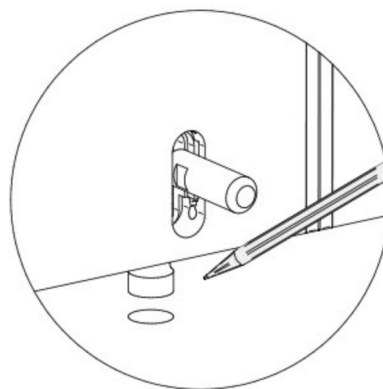
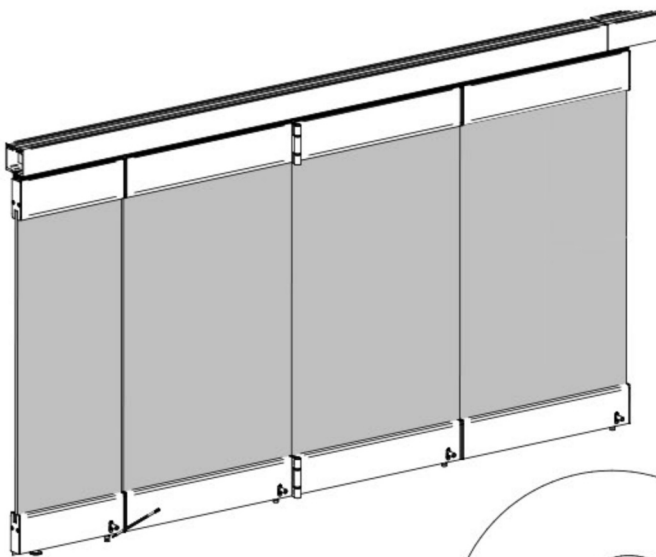


Clean with our glass cleaner Hendrika
779118010000



Do not install on cold glass

12 Assembly floor bush



G-FITTINGS GmbH

Marie-Curie-Straße 16-18
46446 Emmerich am Rhein
T +49 (0)2822 962 0
E sales@g-fittings.com