

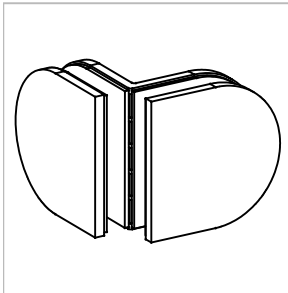
Partition wall system

Technische Daten:
 Glasklemme 90° - Glas/Glas

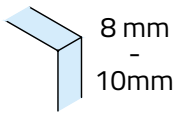
Datasheet:
 Glas clamp 90° - glass/glass

Art. 40.0101.090.10
 Art. 40.0101.090.12

Stand 06.2022



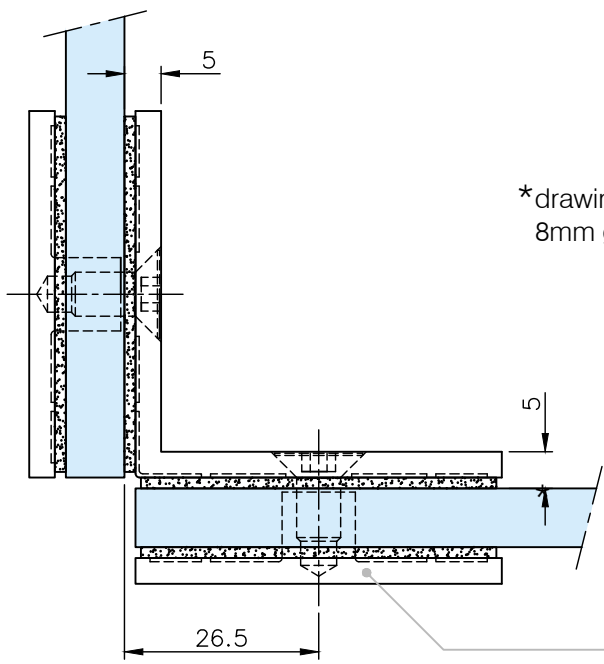
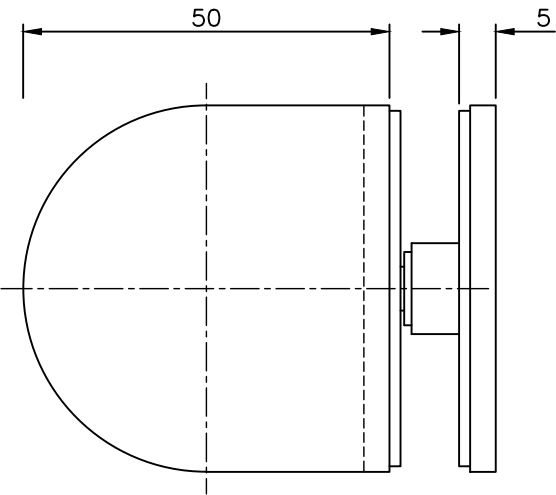
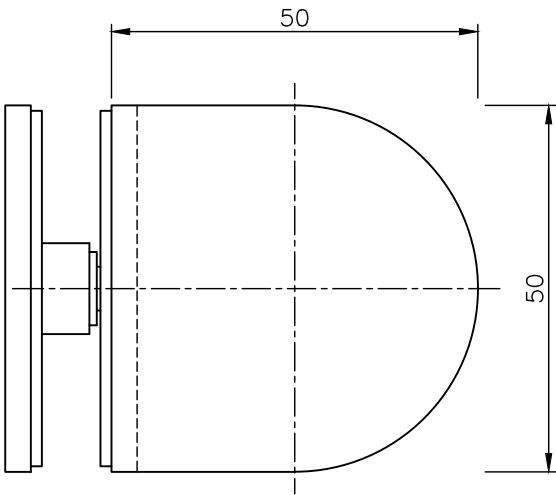
Ausführung:
 Options:



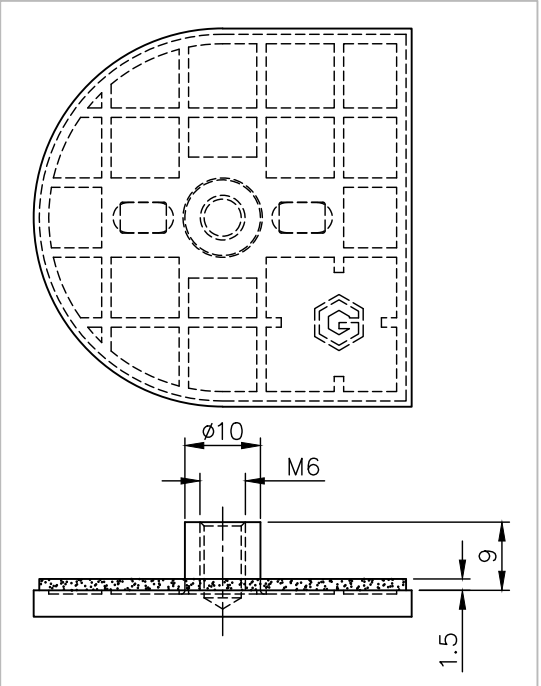
Material: V2A
 Material: Stainless steel AISI 304

Gewicht: / Weight: 0,24 kg

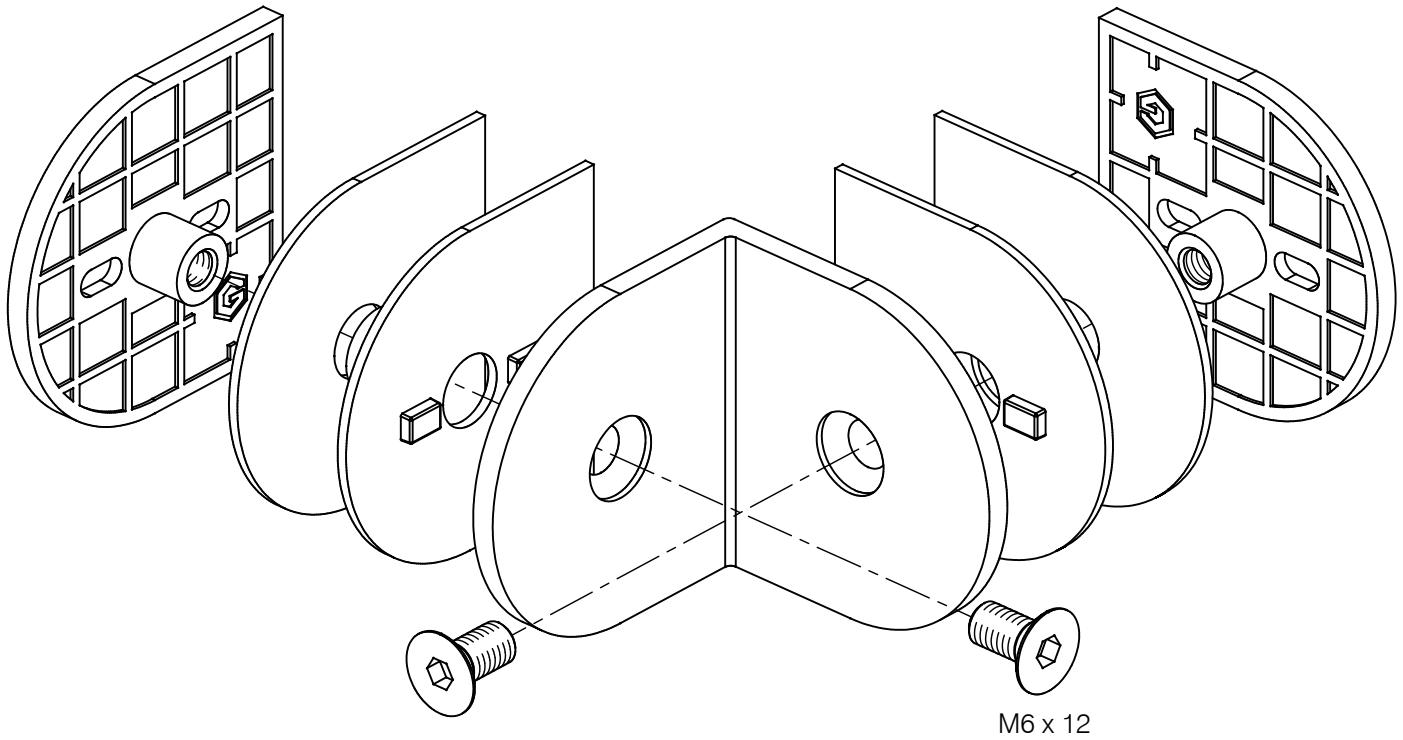
Oberflächen: Edelstahl-Design
 Finish: Stainless steel design



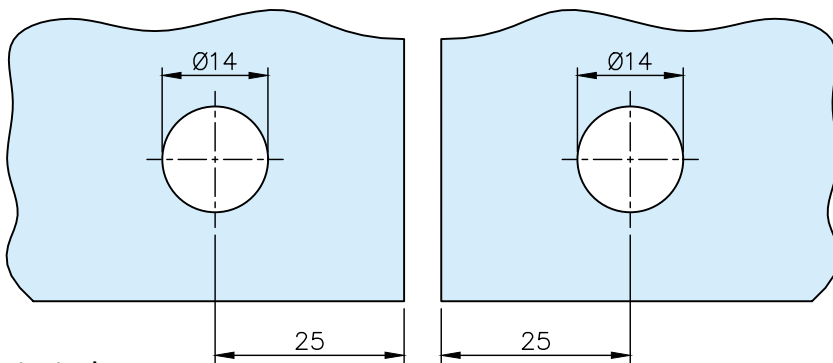
*drawing shows 8mm glass



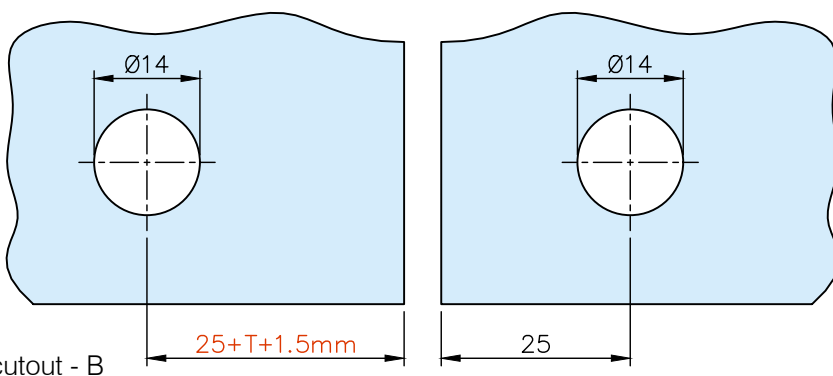
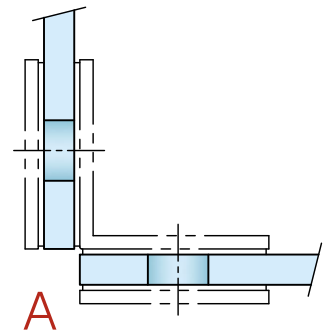
Art. 40.0101.090.10
 Art. 40.0101.090.12



M6 x 12



glass cutout - A



glass cutout - B

