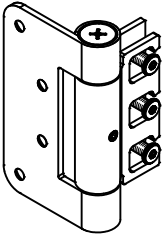


Technische Daten:  
Türscharnier - SWETLANA

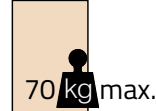
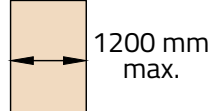
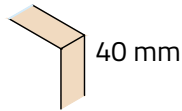
Datasheet:  
Door hinge - SWETLANA

Art. 77452707000-12  
Art. 77452707000-26

Stand 10.2024



Ausführung:  
Options:

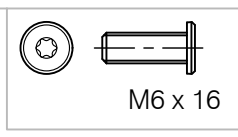
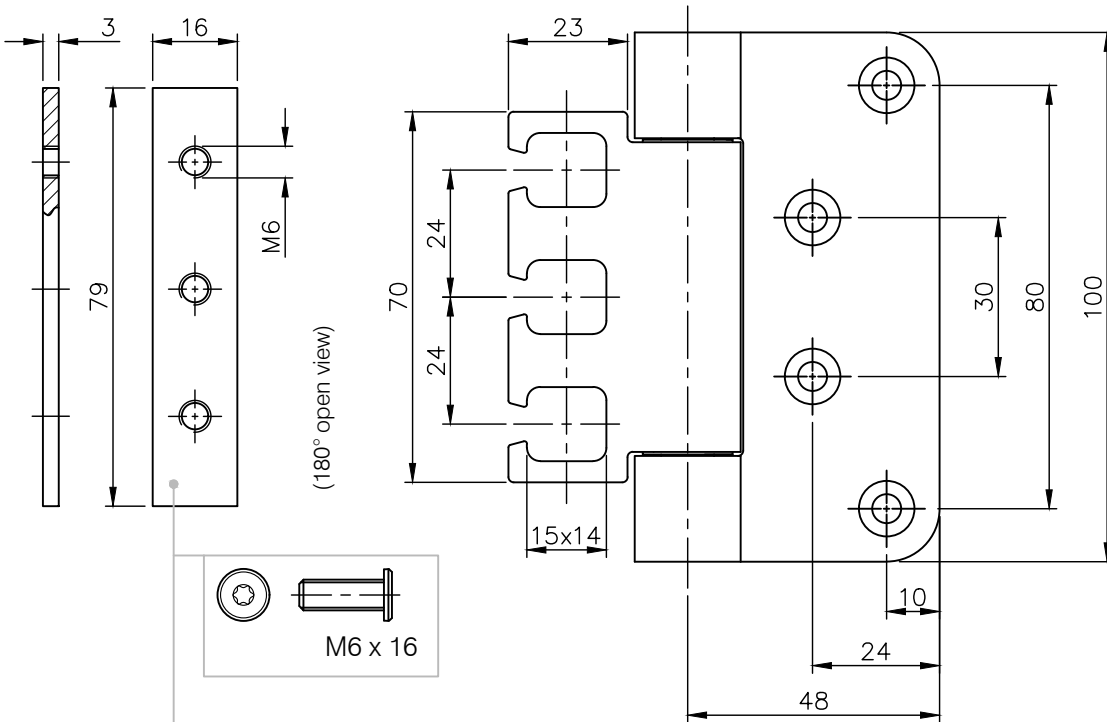


Material: V2A  
Material: Stainless steel AISI 304

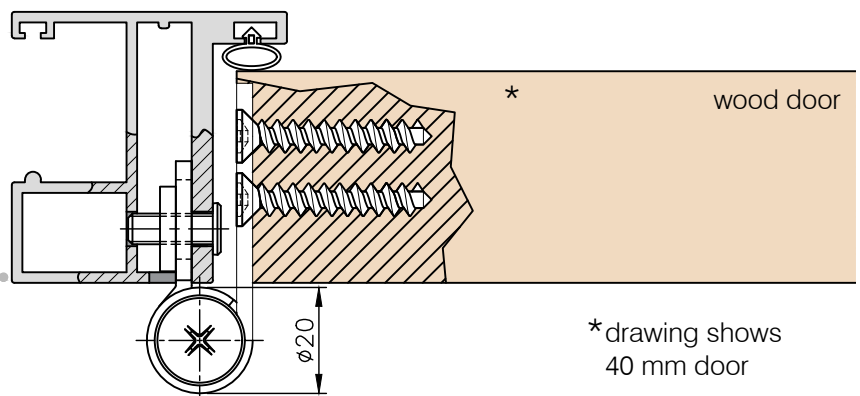
Gewicht: / Weight: 0,3 kg

Oberflächen:  
Finish: Edelstahl-Design  
Stainless steel design

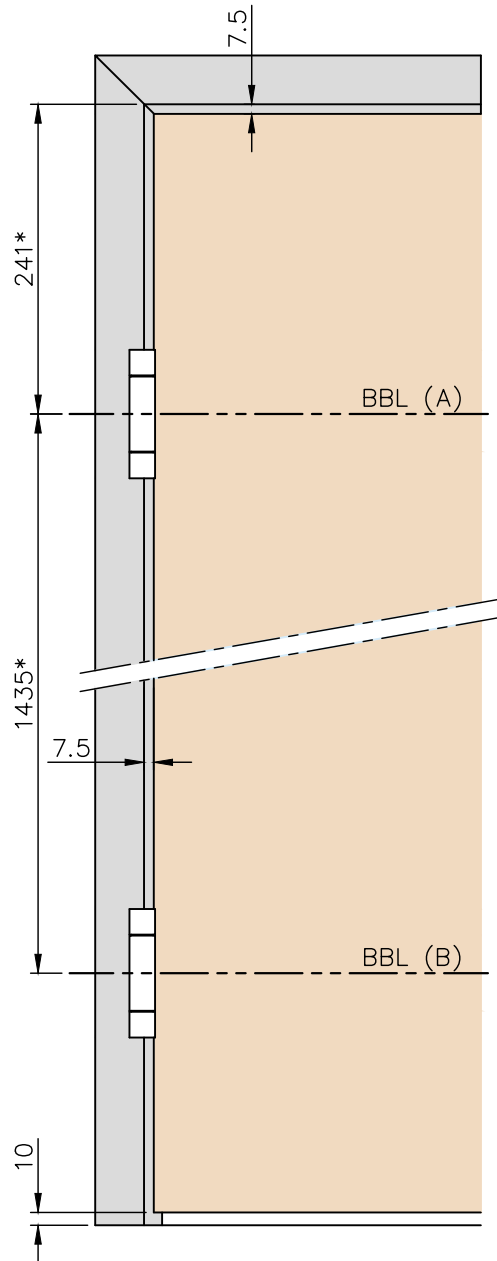
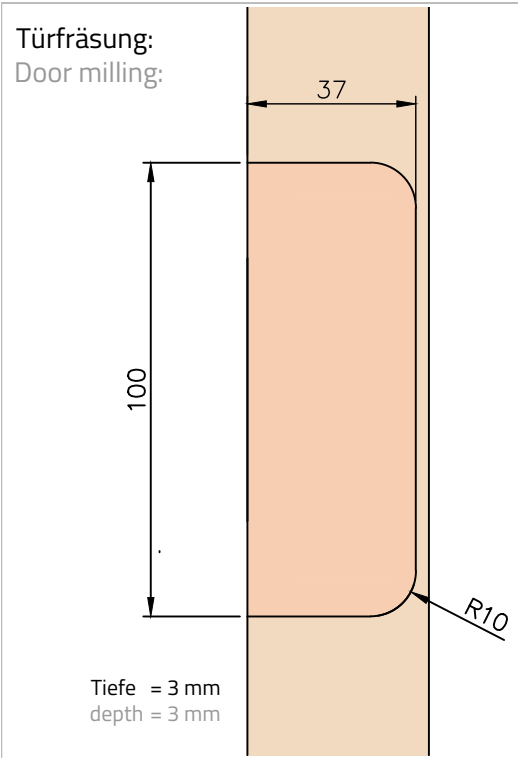
Anthrazit-Design  
Anthracite design



aluminium door frame  
art.: 77495252....



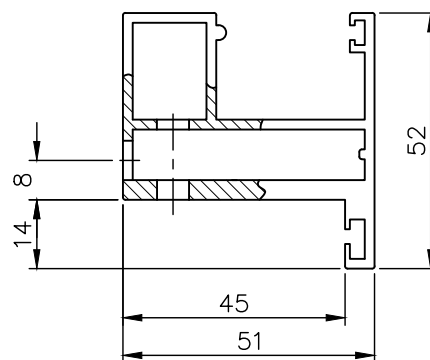
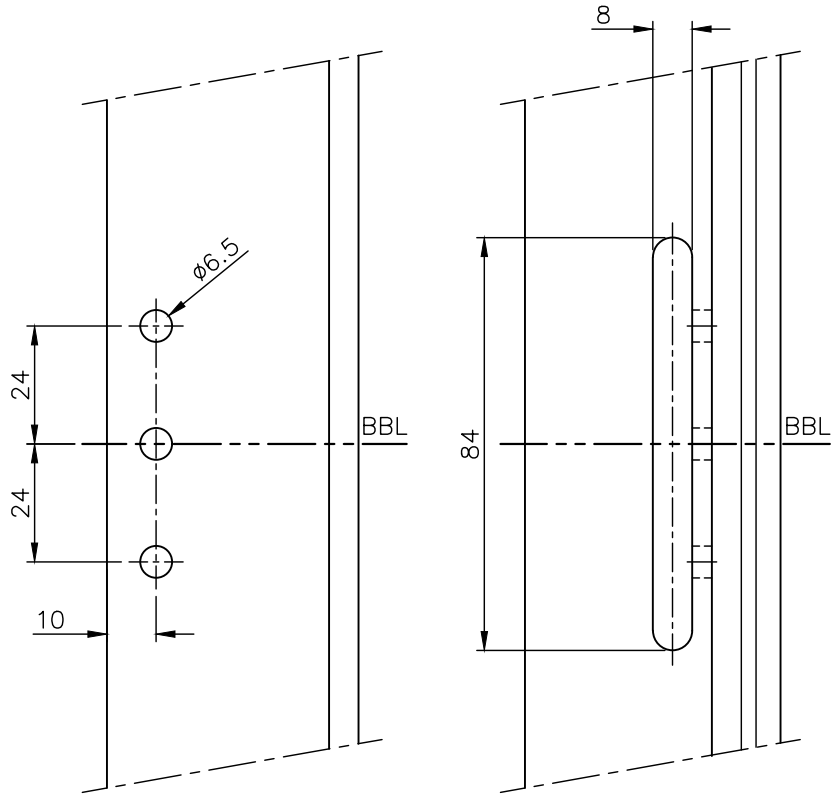
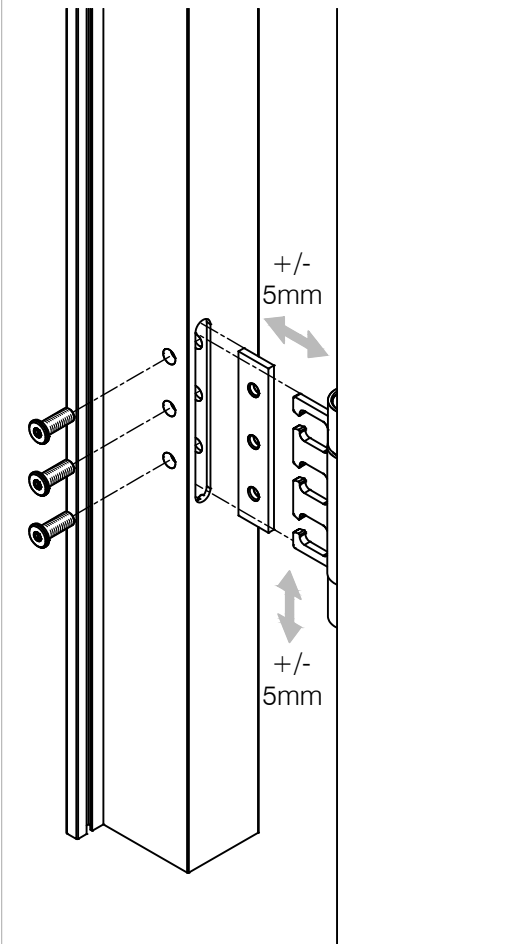
Art. 77452707000-12  
 Art. 77452707000-26



Empfehlungsmaße entsprechend *DIN 18268 Recommended dimensions according to *DIN 18268		
Glastürhöhe Glass door height	Abstand Zargenfalz - BBL(A) distance frame rebate - BBL(A)	Abstand BBL(A) - BBL(B) distance BBL(A) - BBL(B)
1860 mm - 2110 mm	241 +1 mm	1435 mm ±0,5 mm
2111 mm - 2235 mm	241 +1 mm	1560 mm ±0,5 mm
2236 mm - 2360 mm	241 +1 mm	1685 mm ±0,5 mm

Art. 77452707000-12  
 Art. 77452707000-26

Detail Aluminium Zarge:  
 Detail aluminium frame:



aluminium door frame  
 art.: 77495252....

**G-FITTINGS GmbH**

Marie-Curie-Straße 16-18  
 46446 Emmerich am Rhein  
 T +49 (0)2822 962 0  
 E sales@g-fittings.com