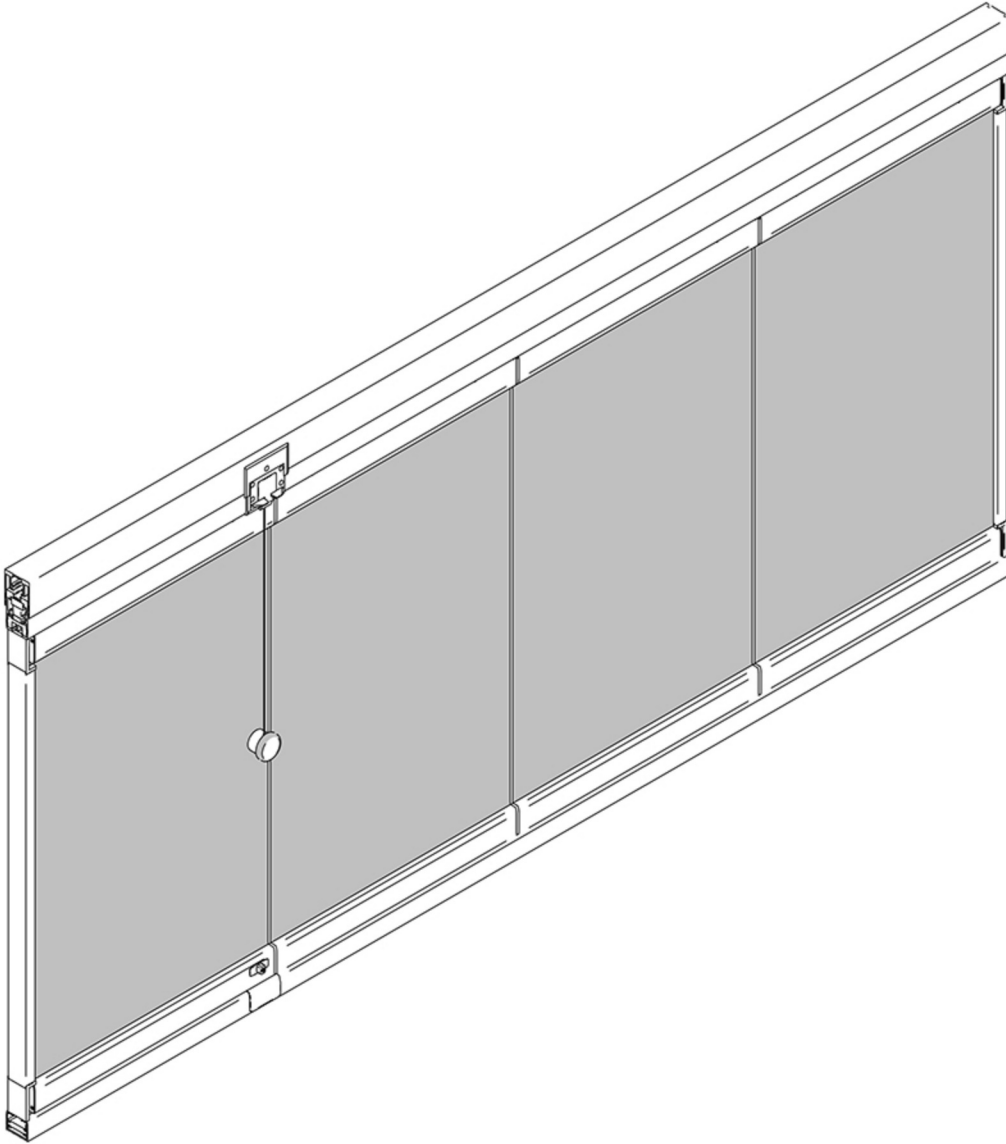










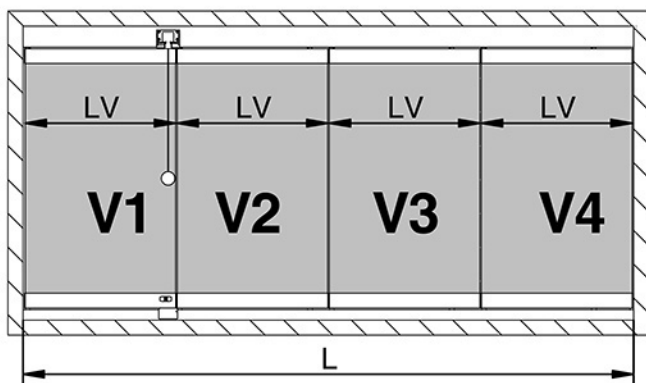
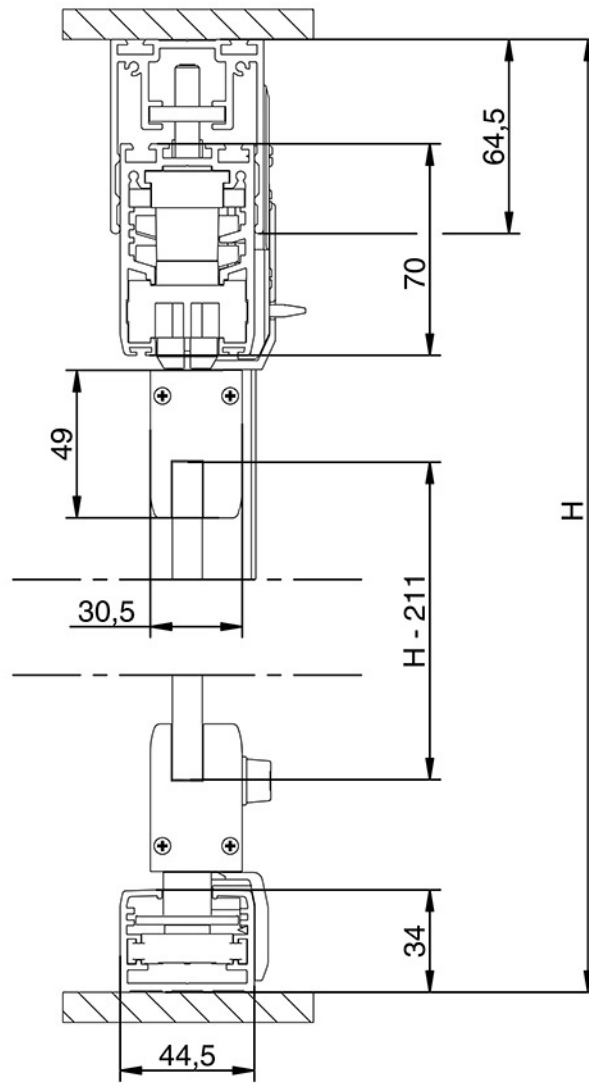
# Balcony stacking wall - Zolda

---



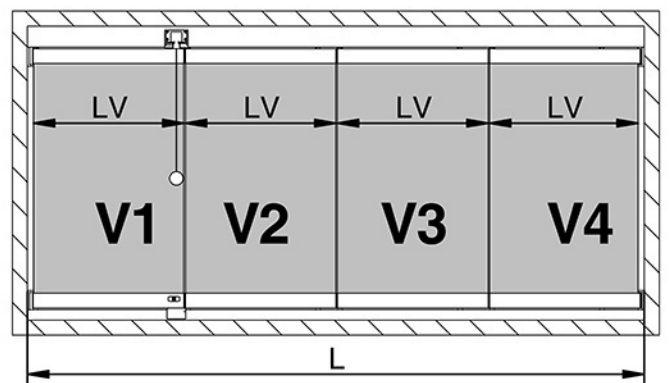
## ASSEMBLY INSTRUCTIONS

- |   |   |   |  |   |   |   |   |
|---|---|---|--|---|---|---|---|
|  |  |  |  |  |  |  |  |
| MAX<br>50 KG  | MAX 800   | MAX 3000  | 8<br>8+8   | 8 mm<br>10 mm   | 8,76 mm<br>10,76 mm   |   |   |



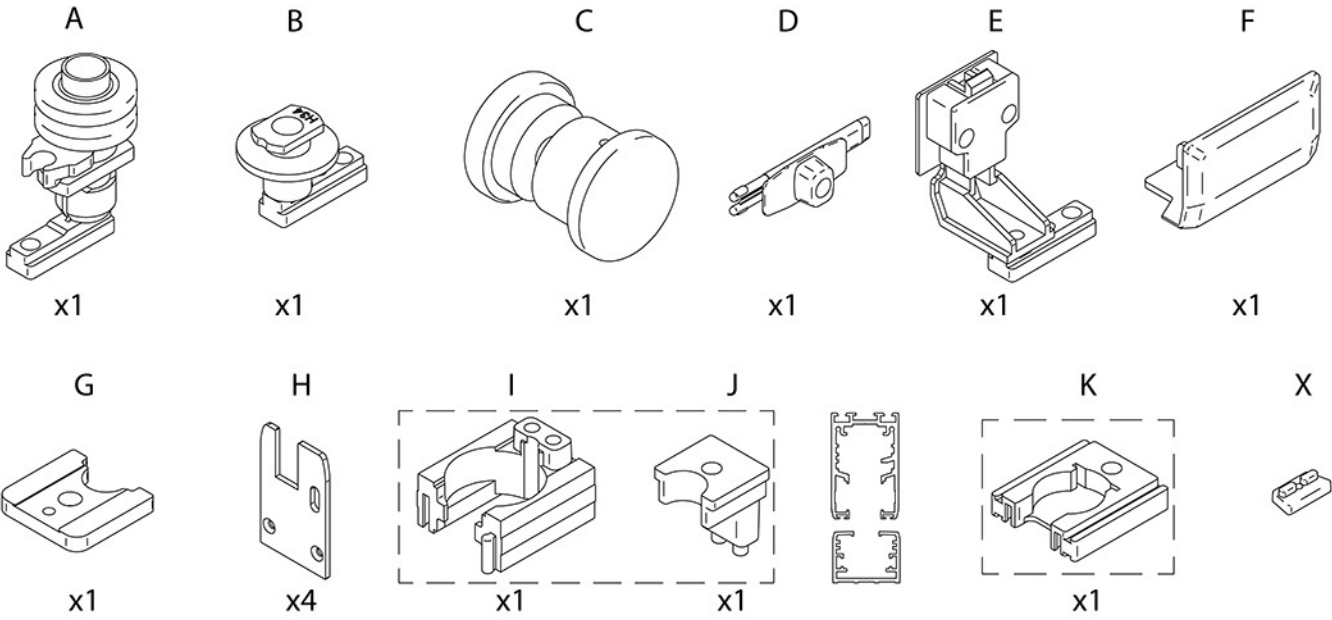
$$LV = \frac{L - 20 - (N \times 5)}{N}$$

**Optional:**

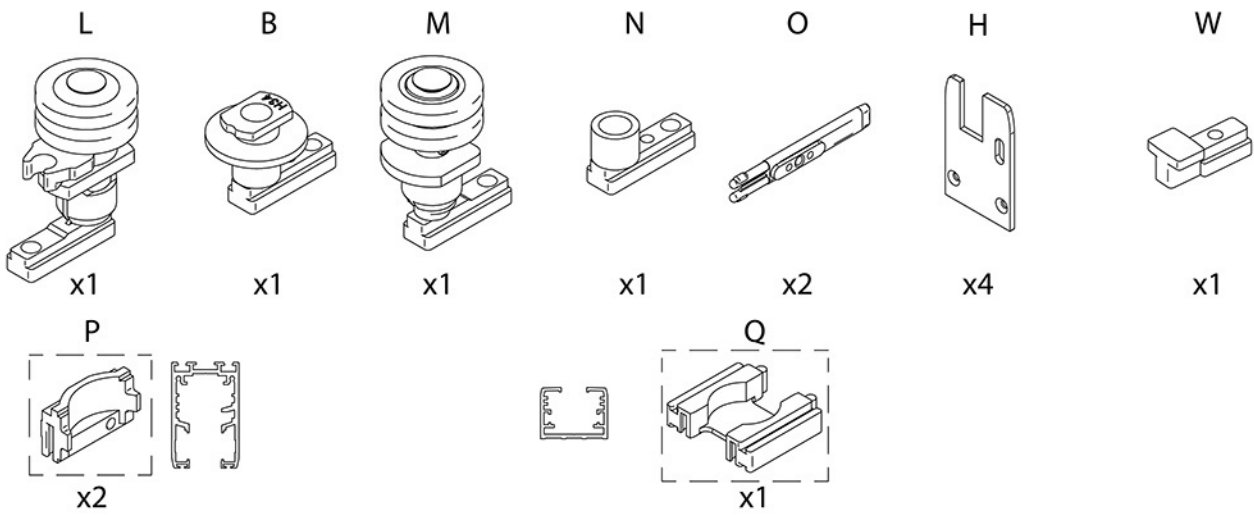


$$LV = \frac{L - 28 (N \times 5)}{N}$$

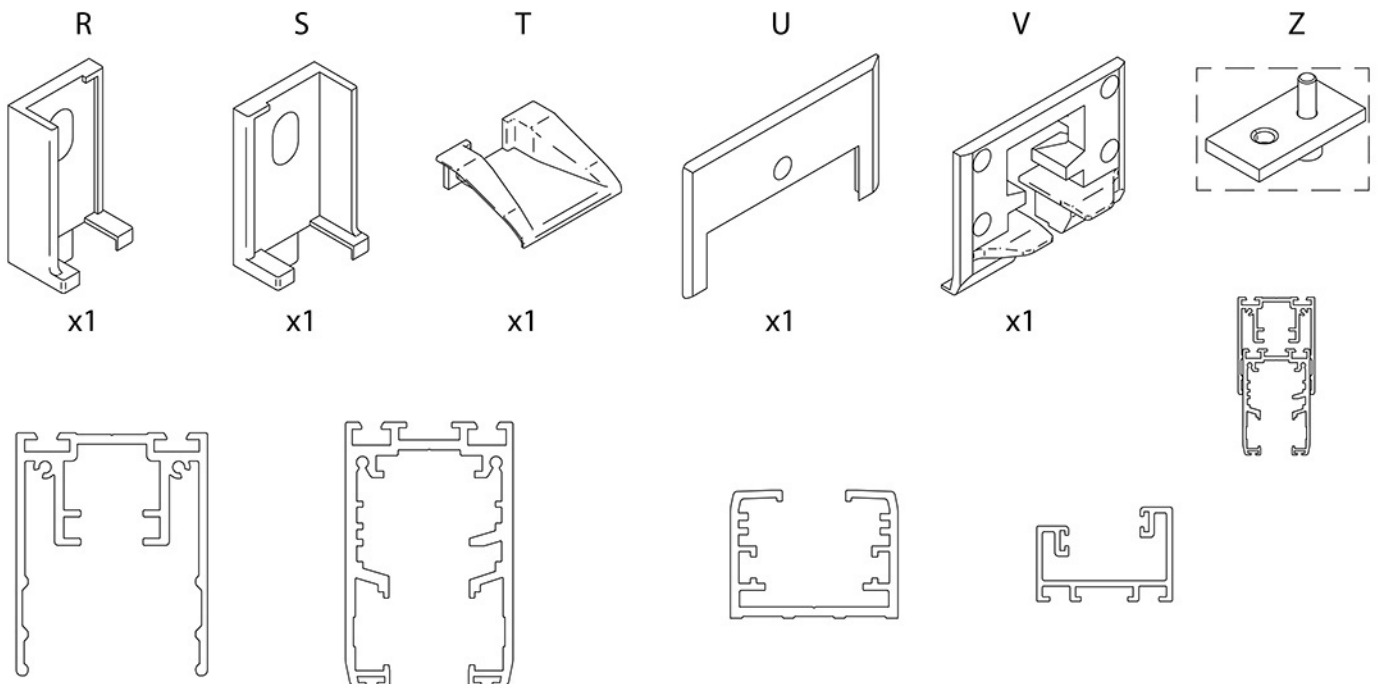
### Swing door



### Sliding door

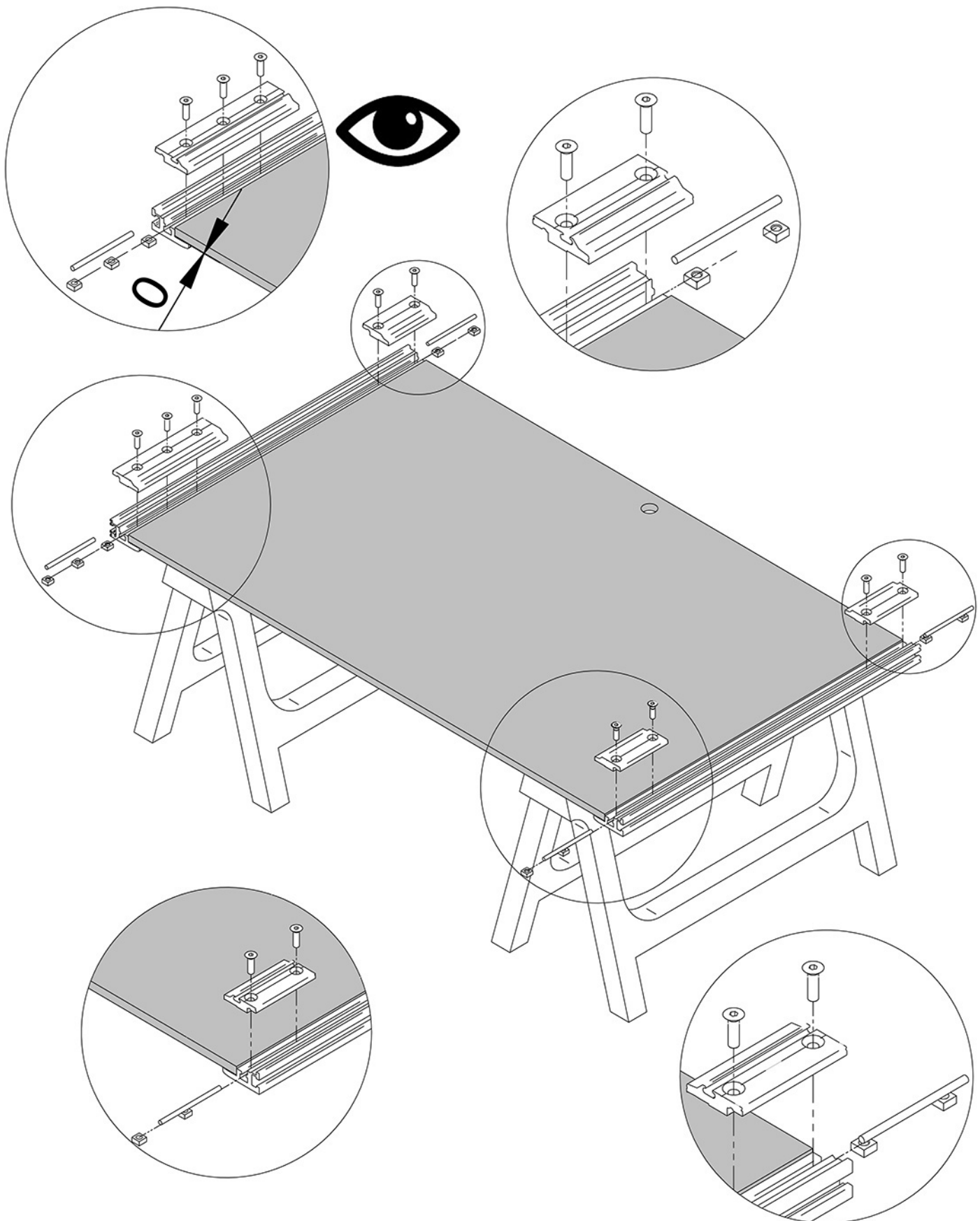


### Profiles and parts



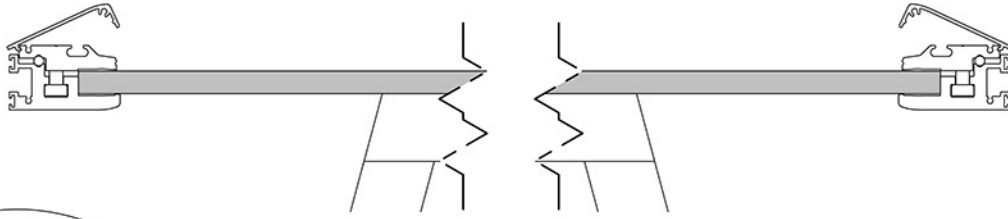
# 1 Glass clamp mounting

Place the glass clamp aligned with the glass.  
Insert the rod and mount the screw with 13 Nm.

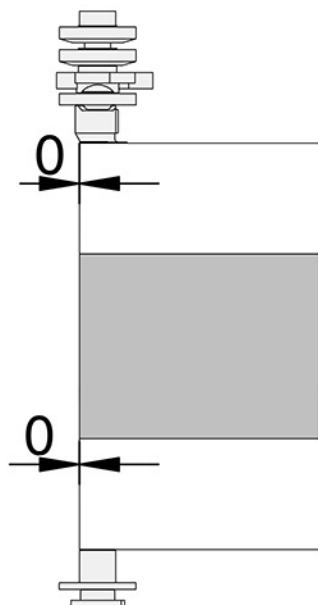
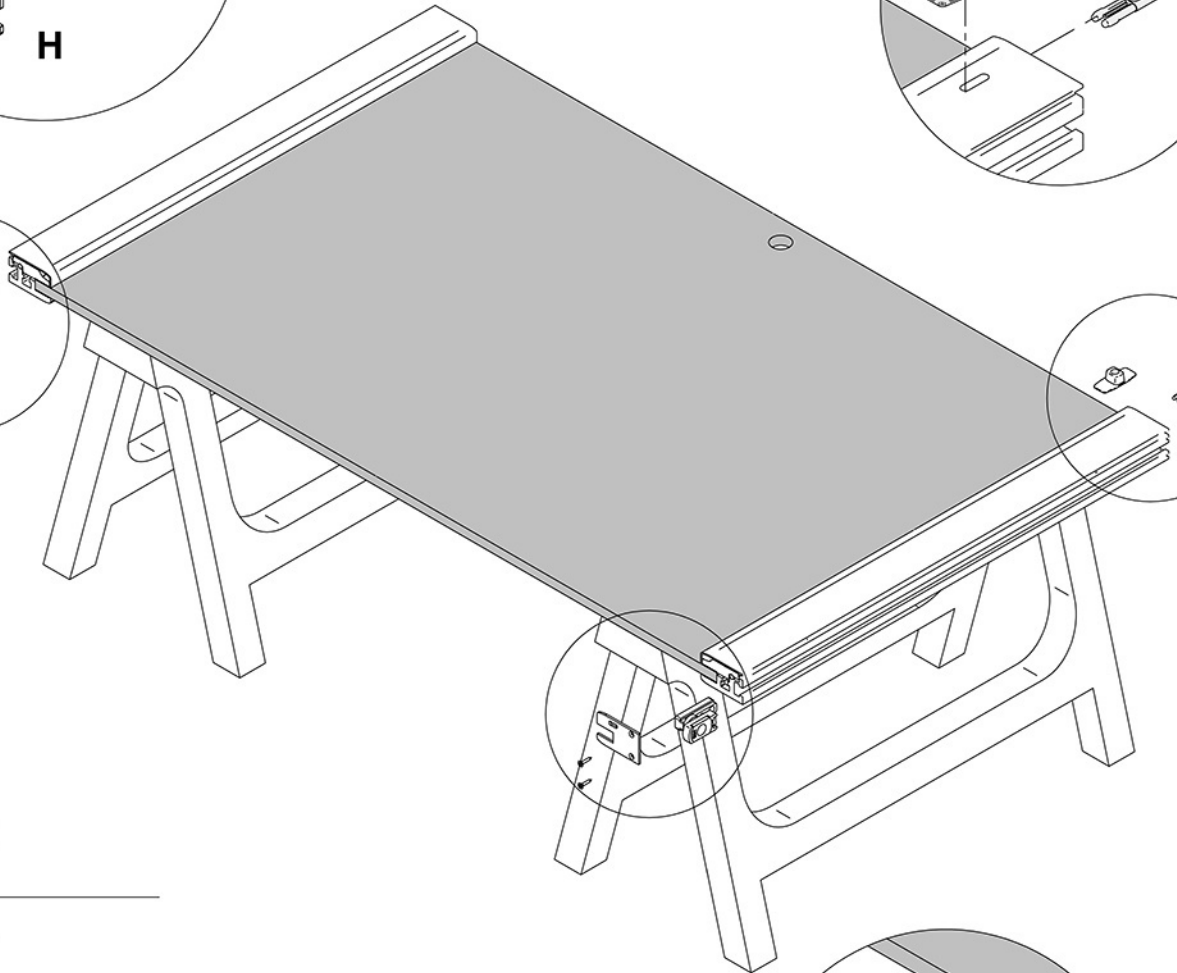
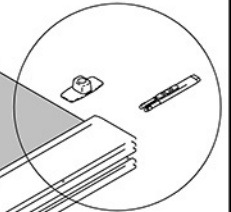
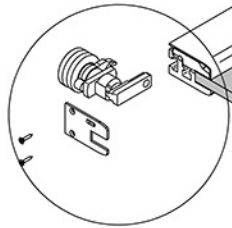
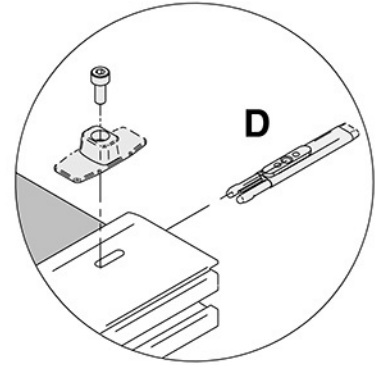
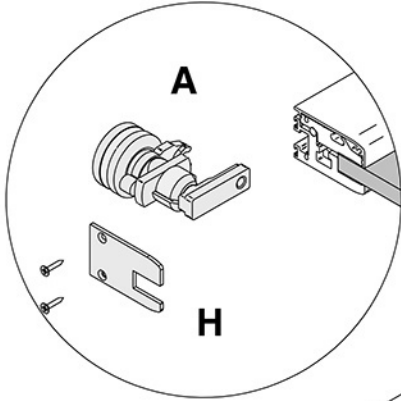


## 2 Swing door assembly

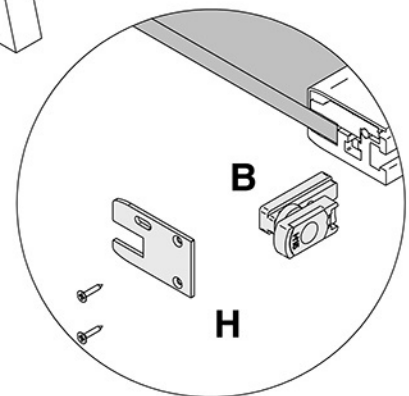
Mount the cover caps



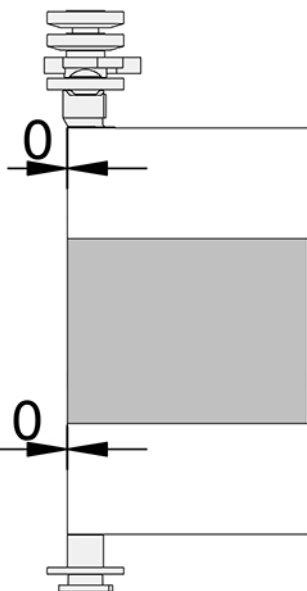
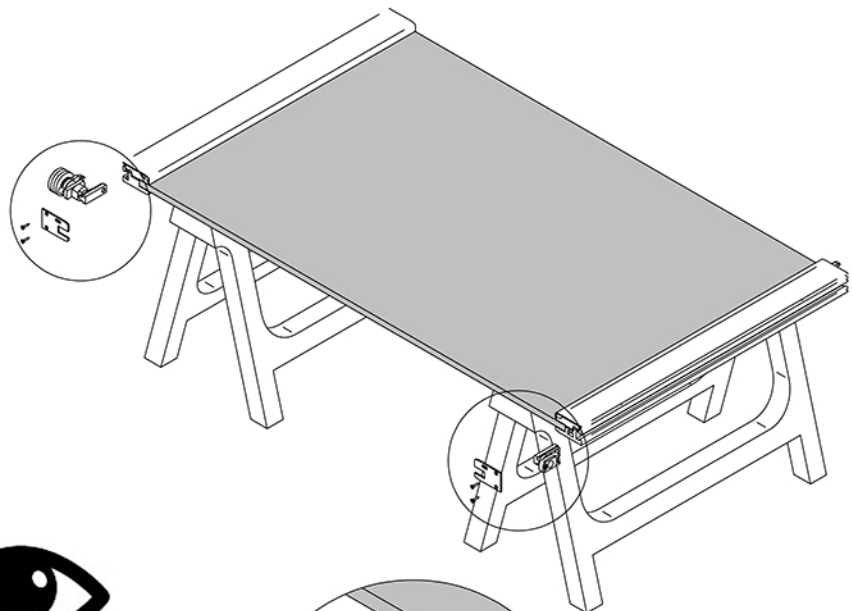
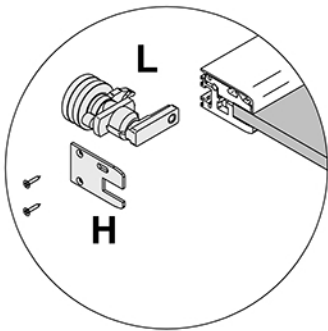
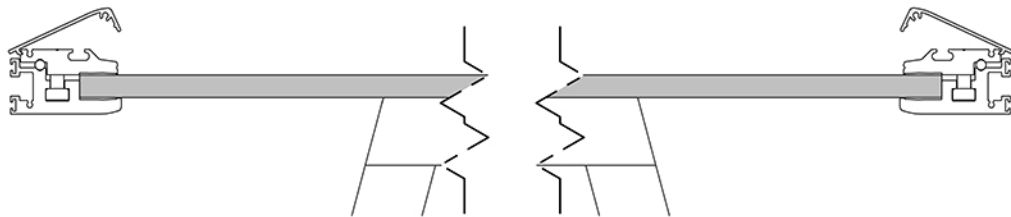
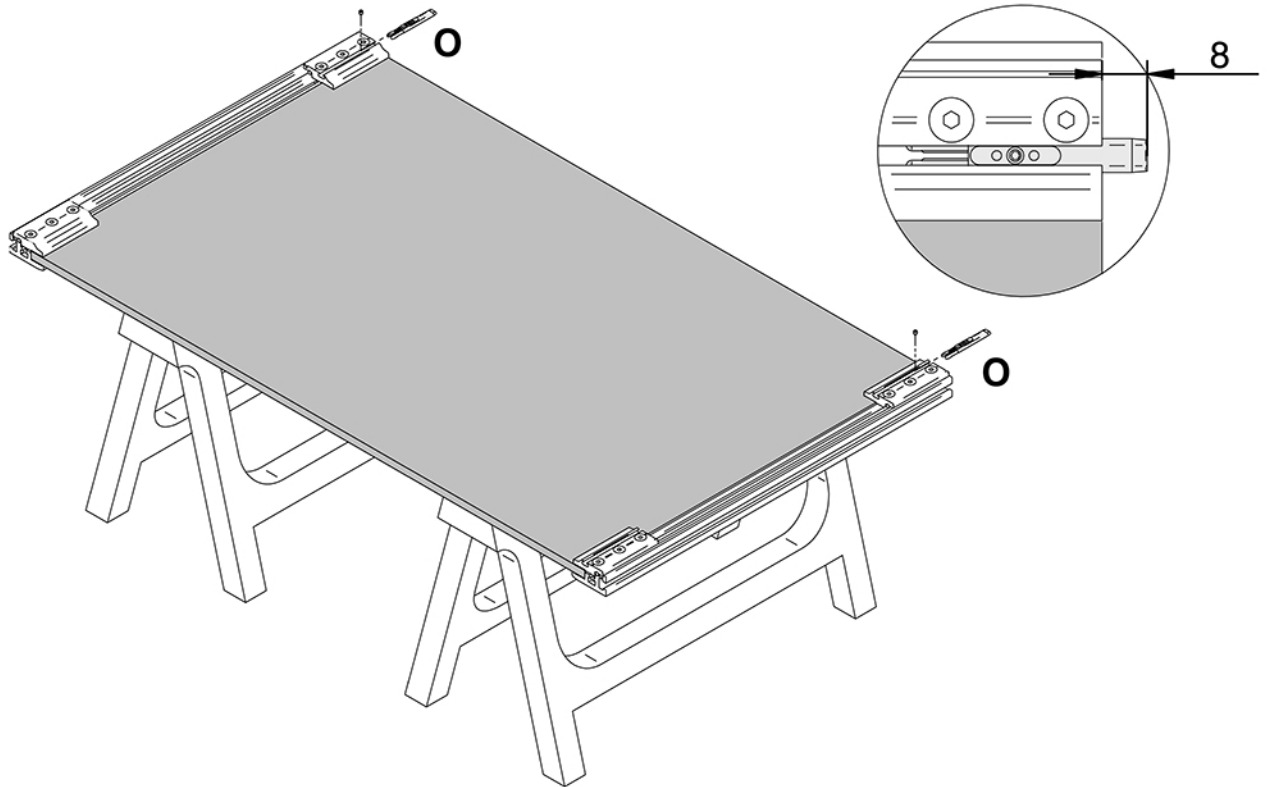
Insert the upper carriages and lock pin



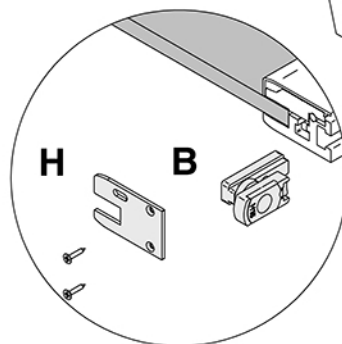
Position  
glass clamp  
and cover cap



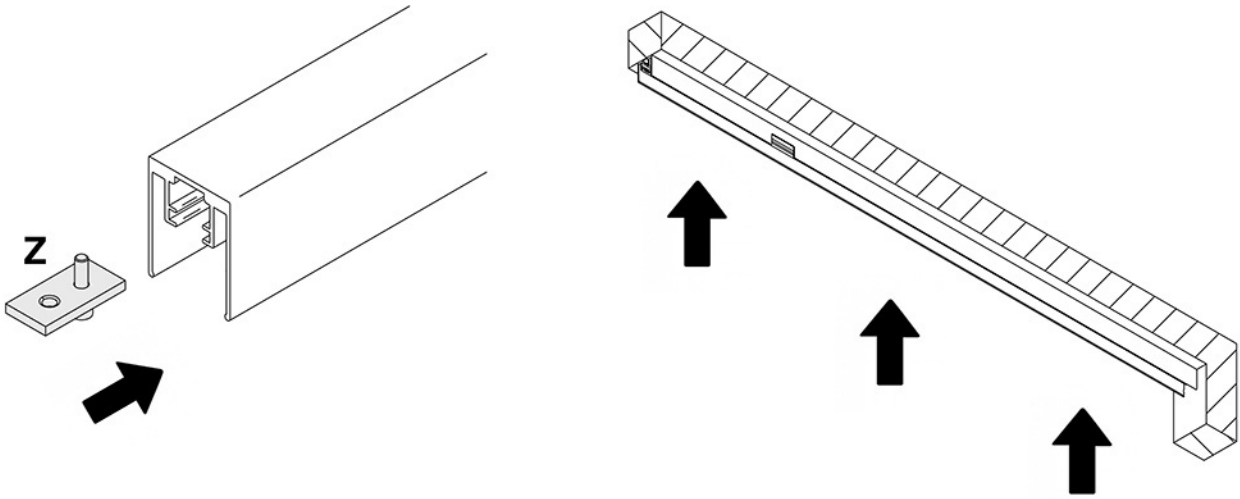
### 3 Sliding door assembly



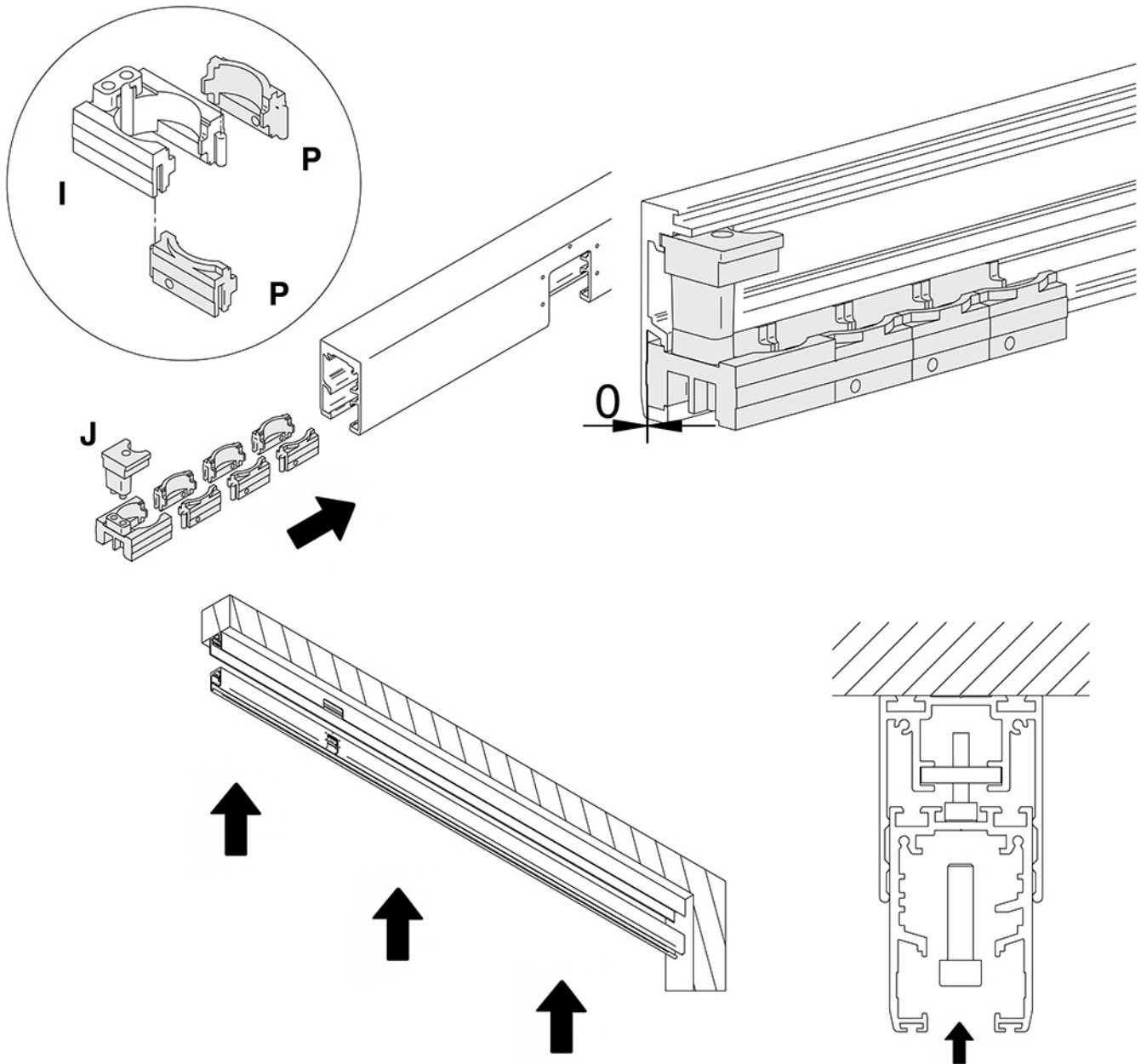
**Position  
glass clamp  
and cover cap**



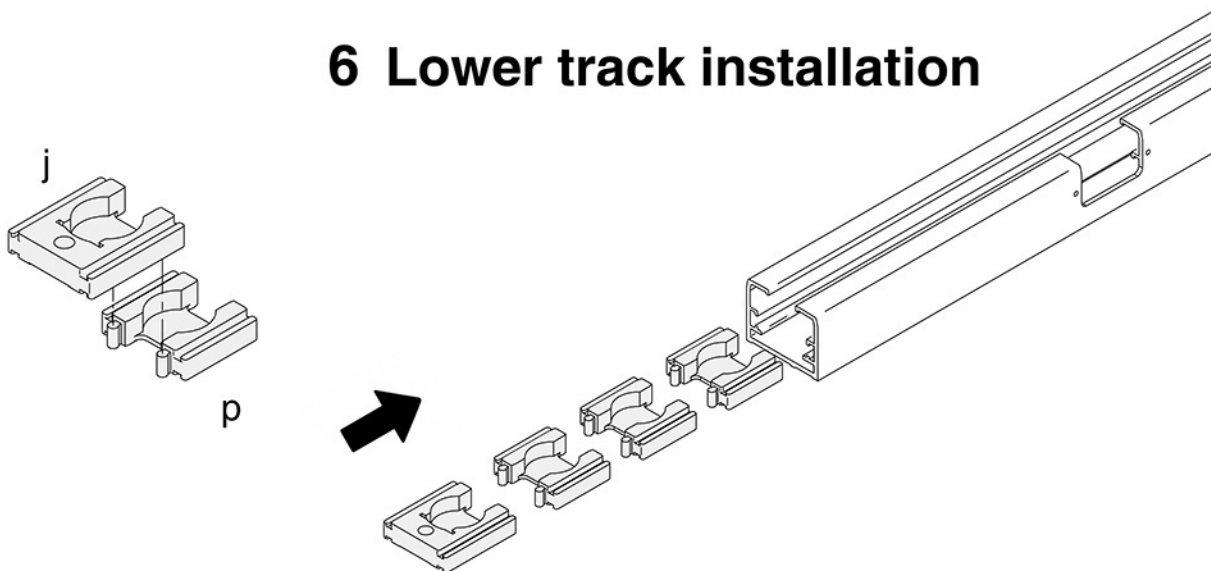
## 4 Compensator fixing



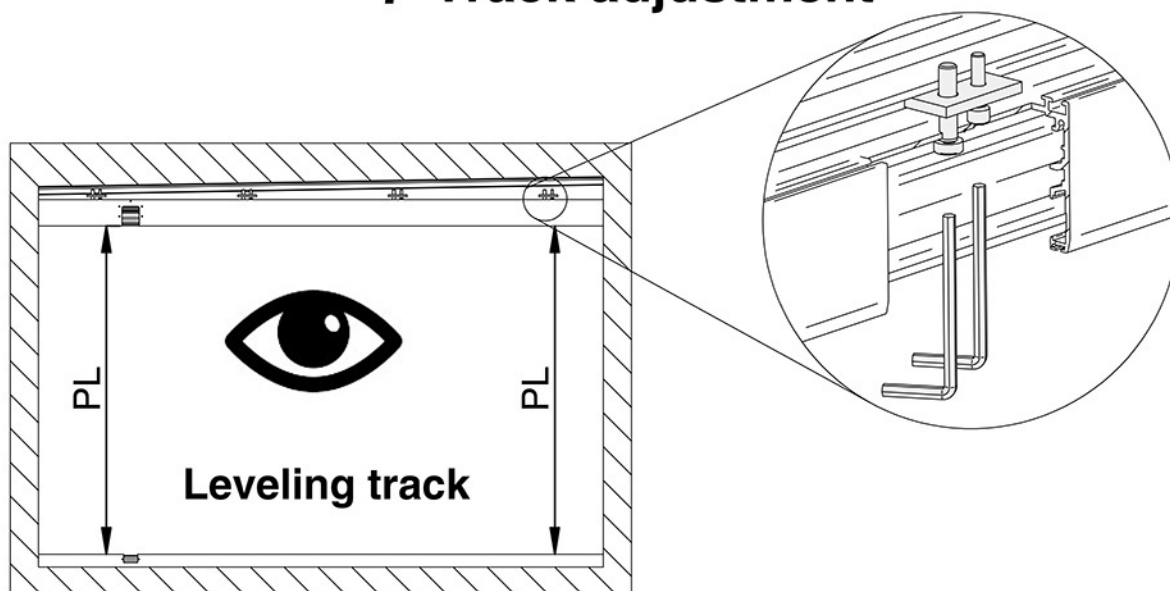
## 5 Inserting of upper track components



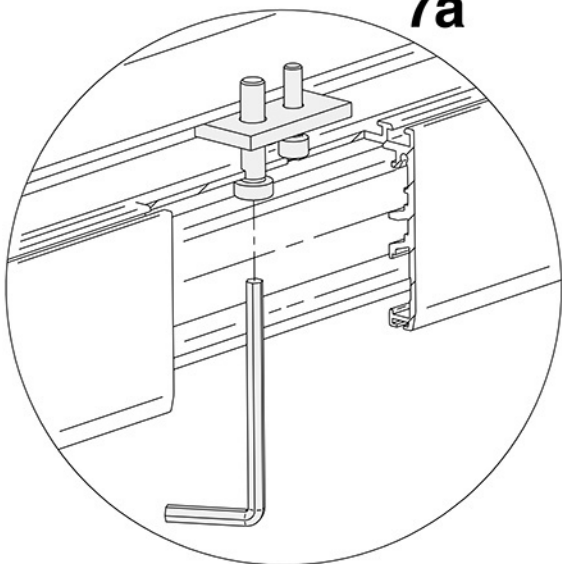
## 6 Lower track installation



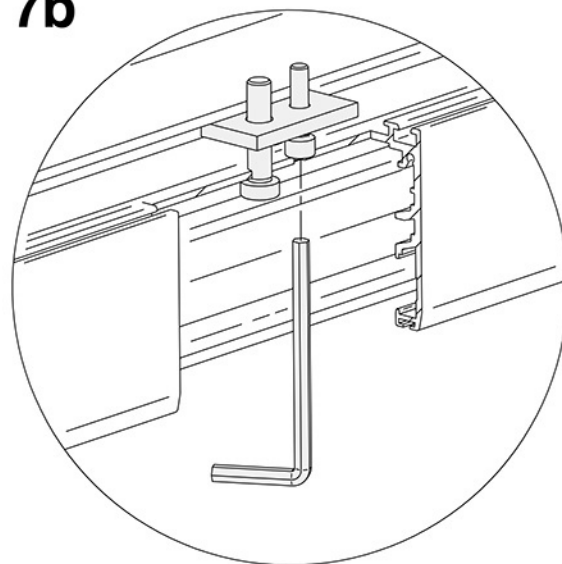
## 7 Track adjustment



7a

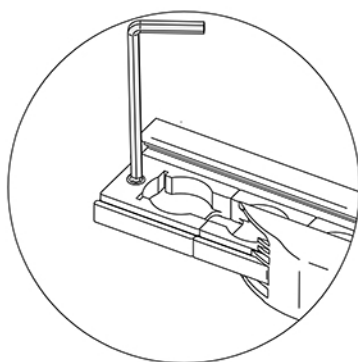
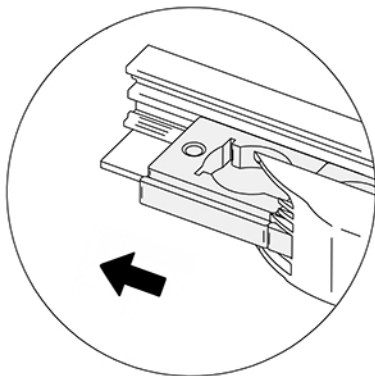
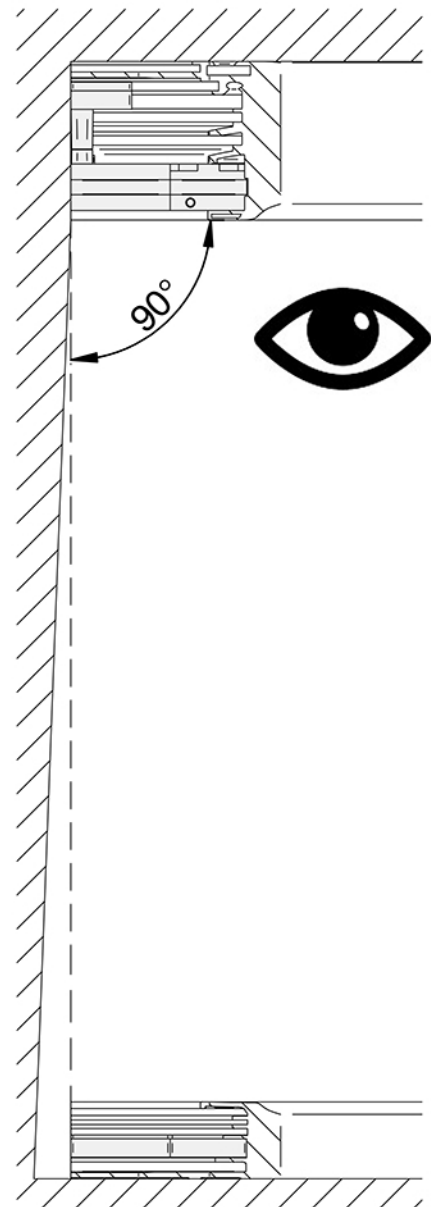
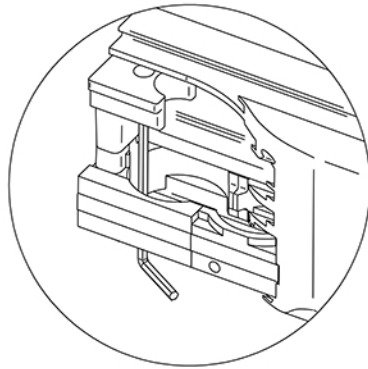
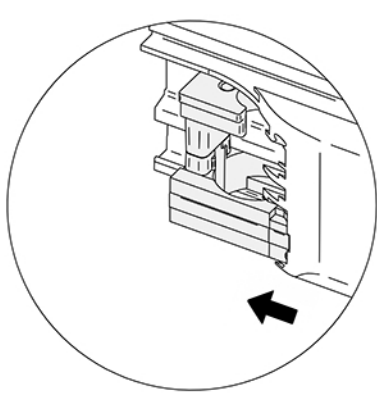


7b

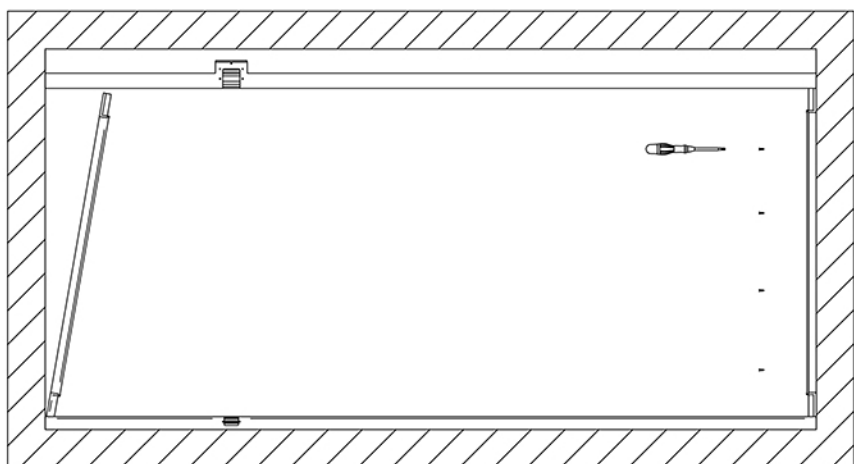
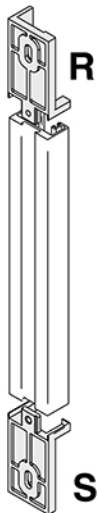
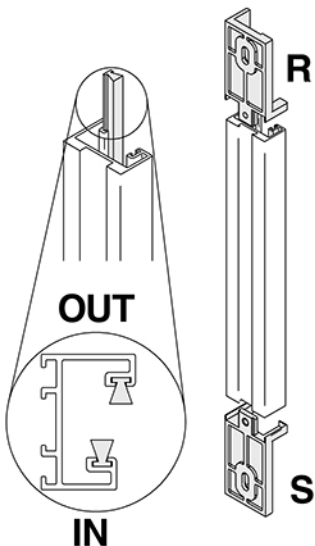




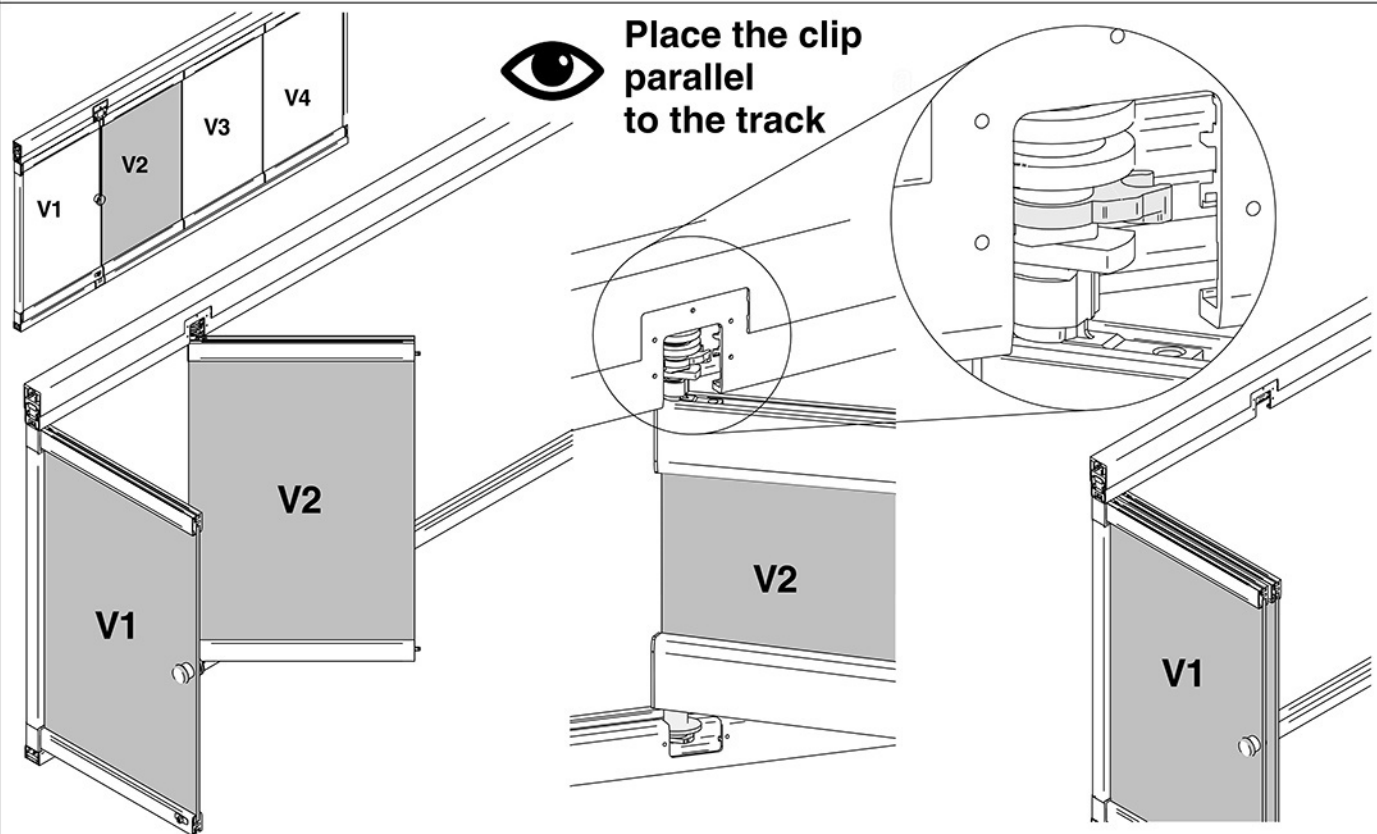
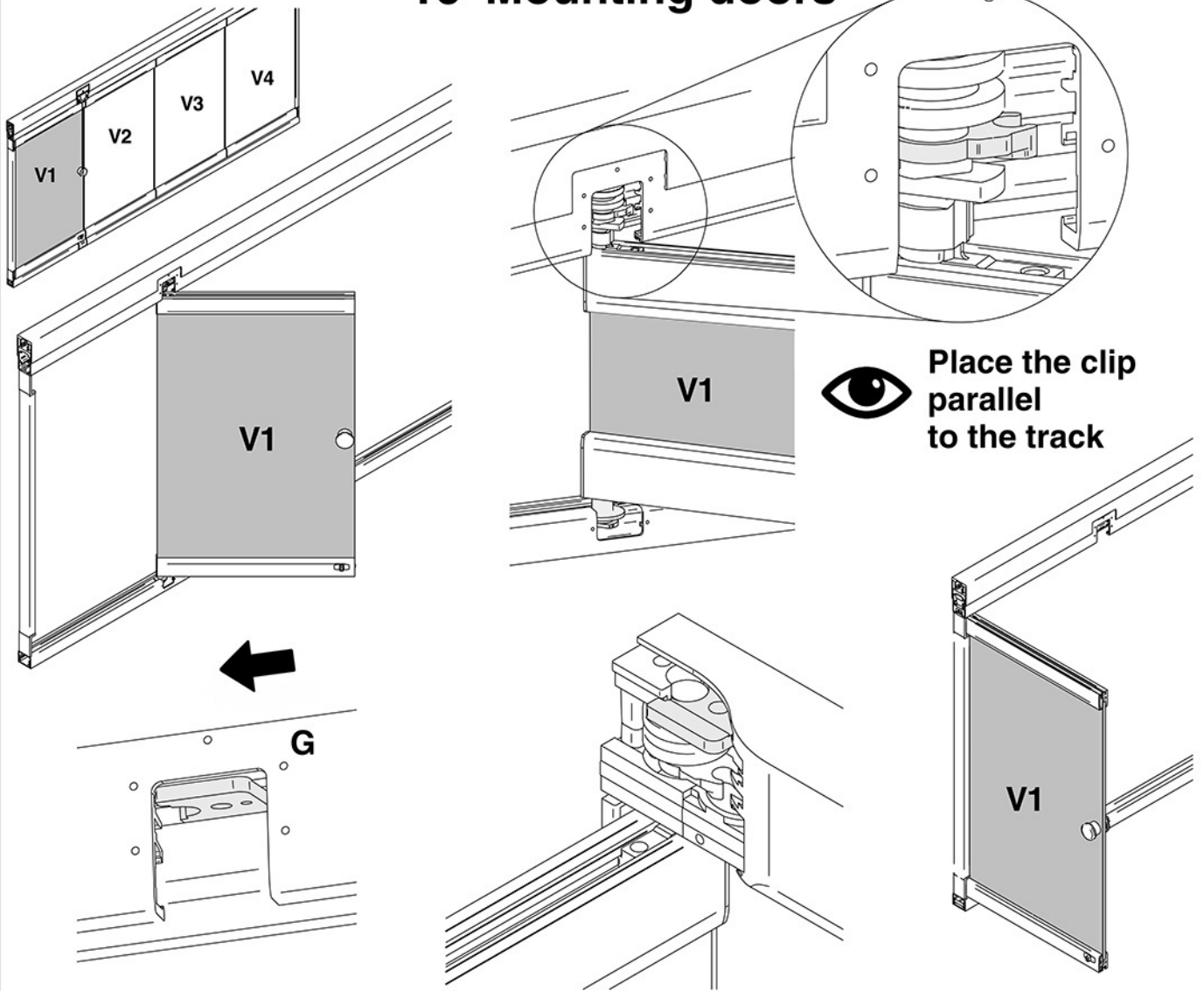
## 9 Fixing components in the track

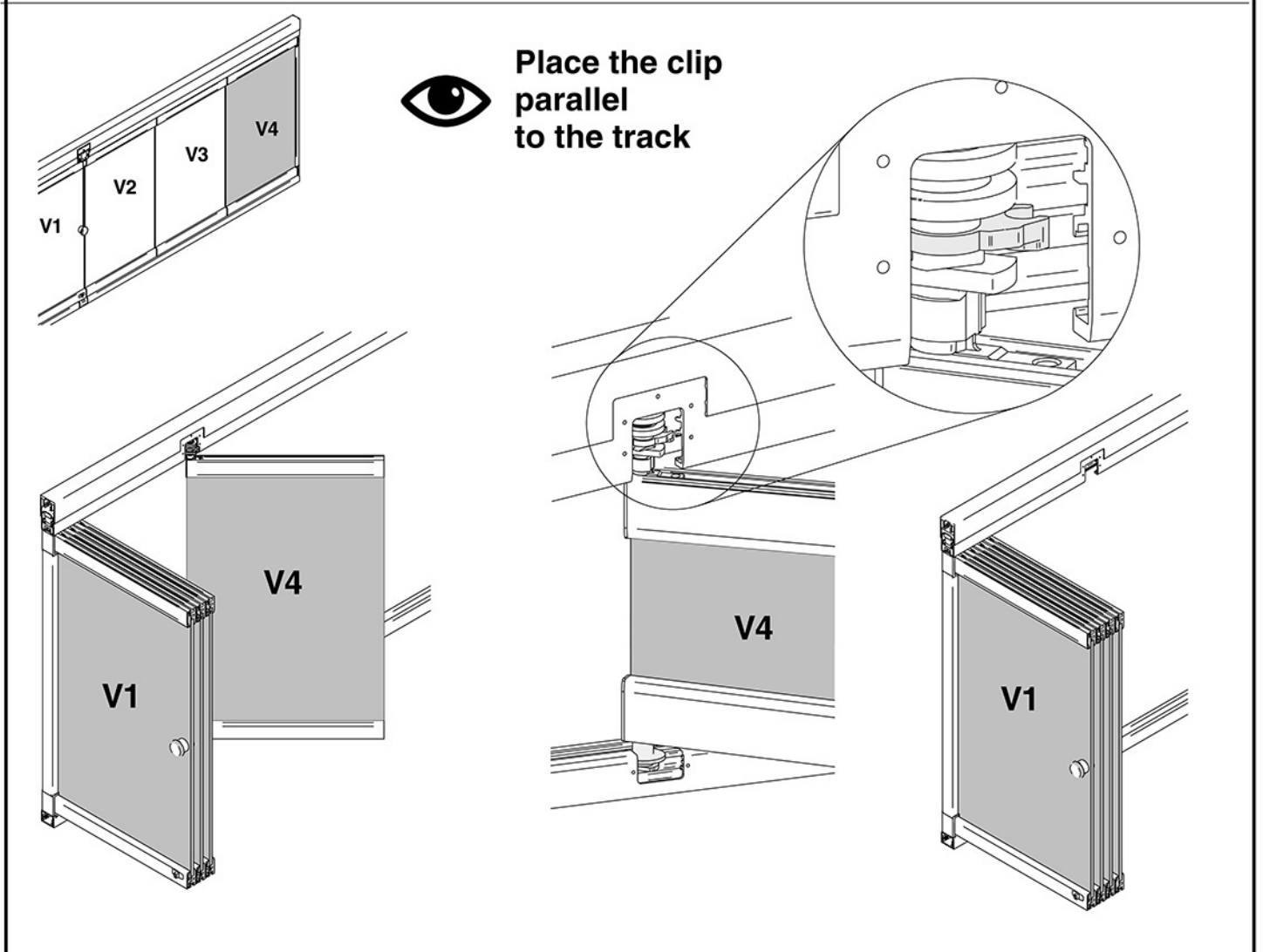
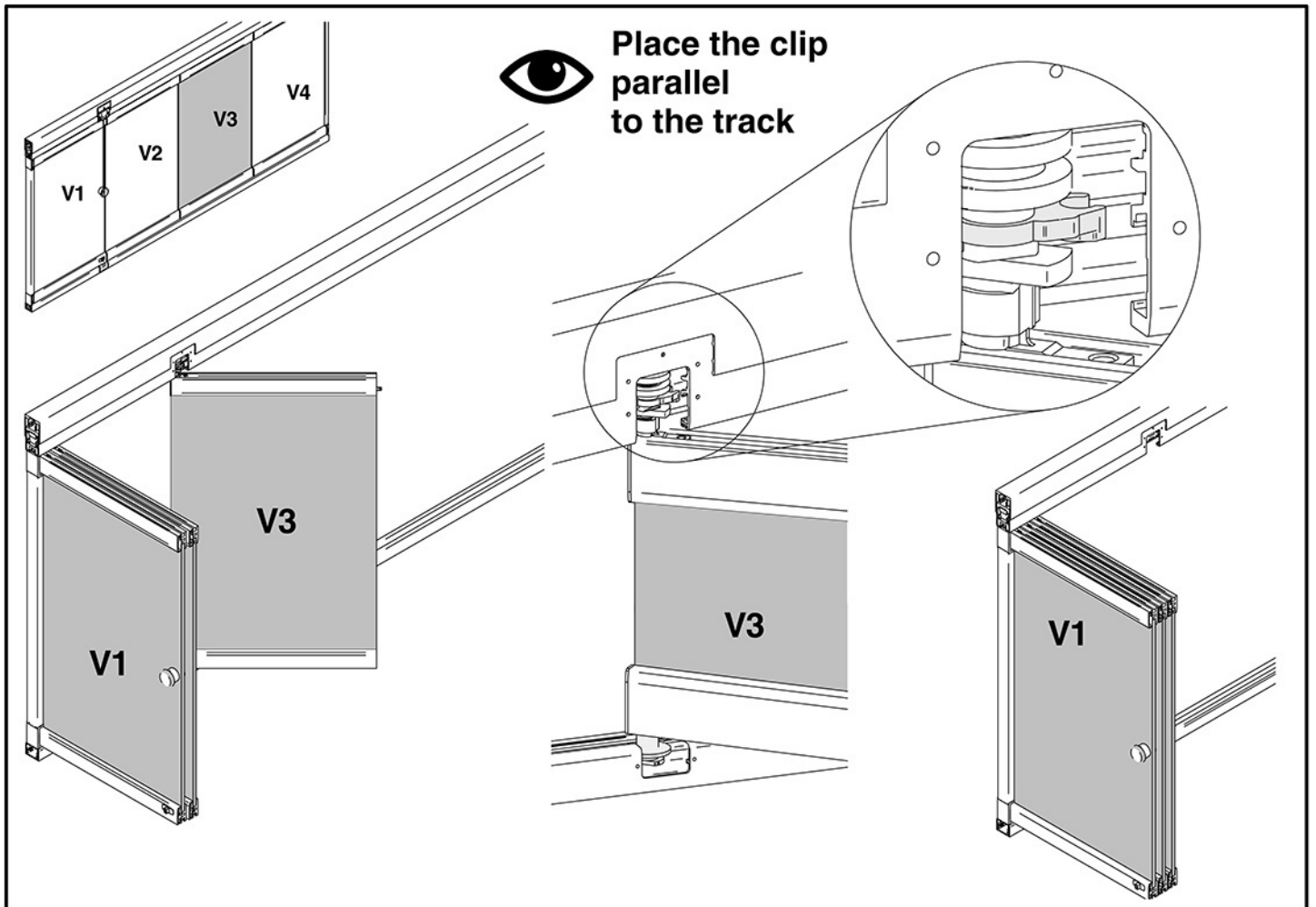


## Optional: 8 Mounting vertical profiles

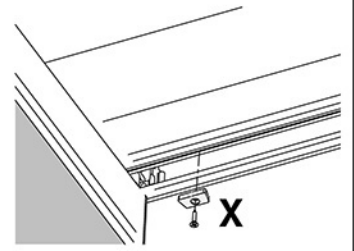
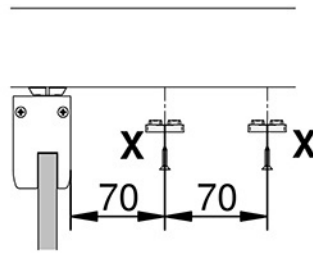
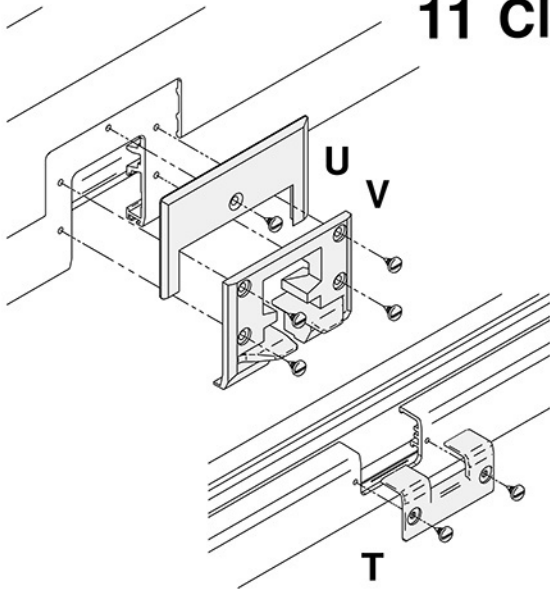


# 10 Mounting doors

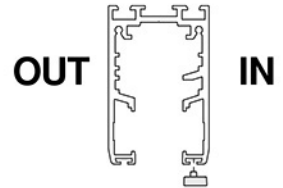




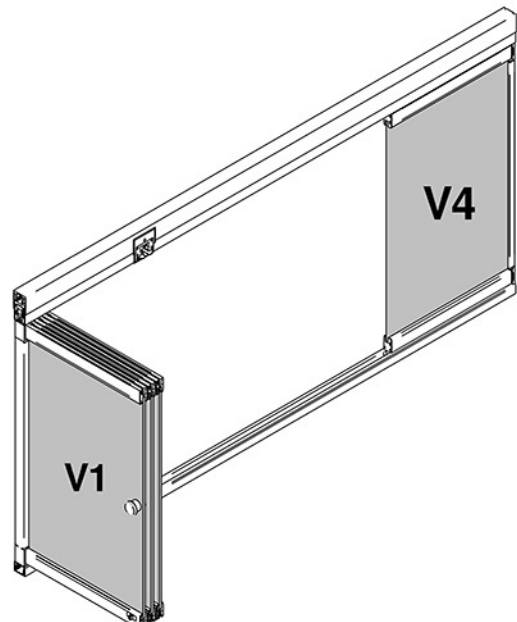
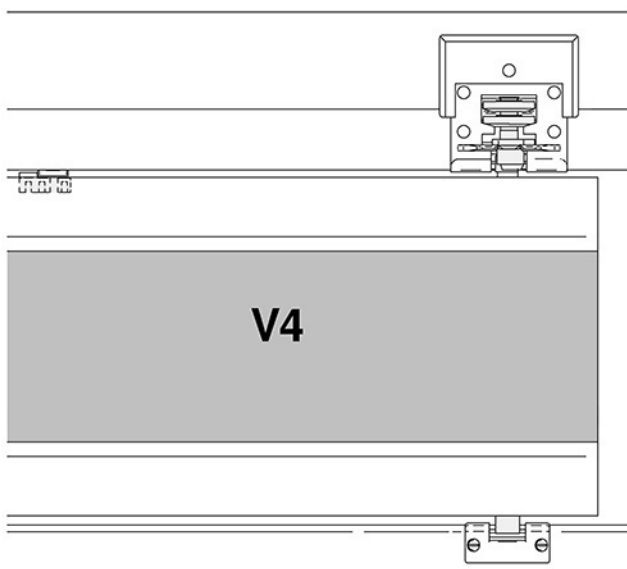
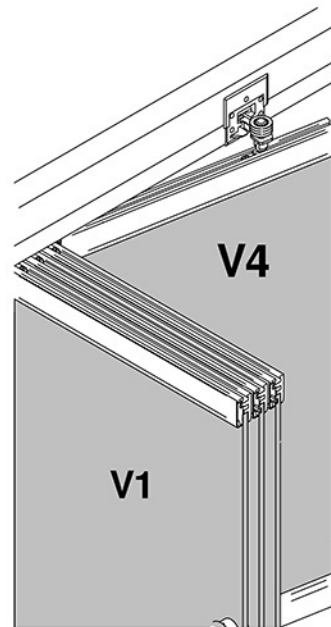
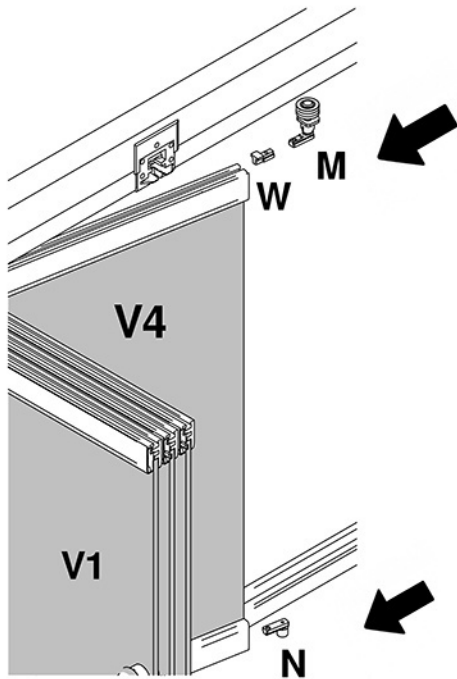
## 11 Closing procedure

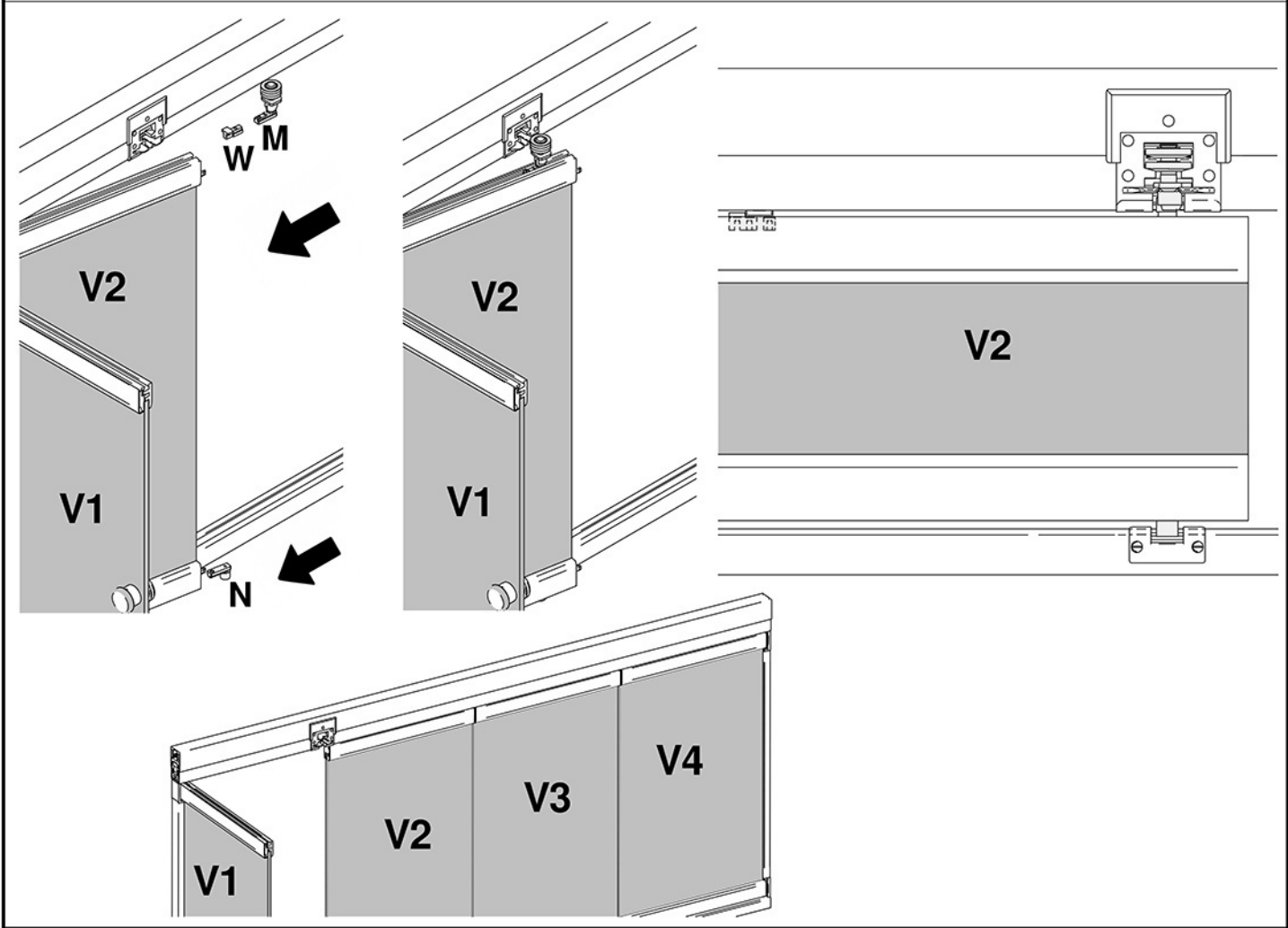
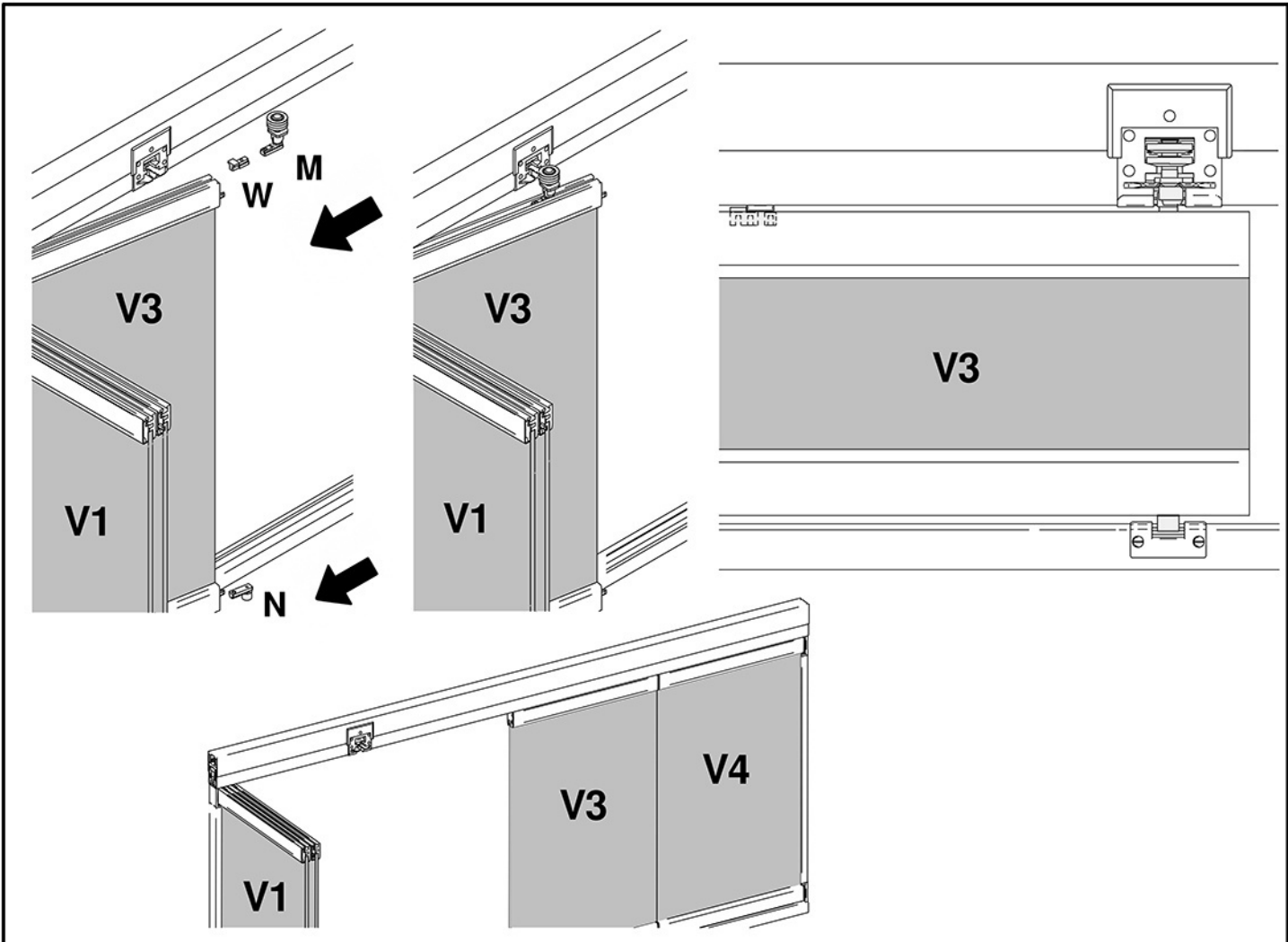


Mount component X  
2 pieces every door

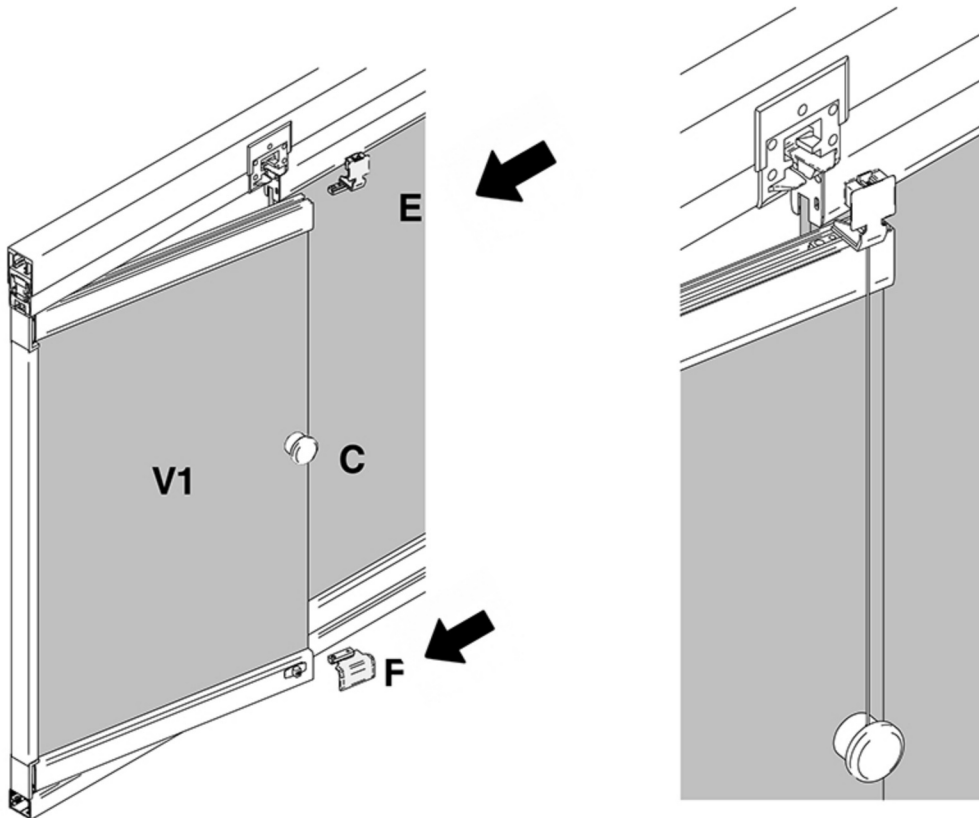


## 12 Mounting the support trolleys

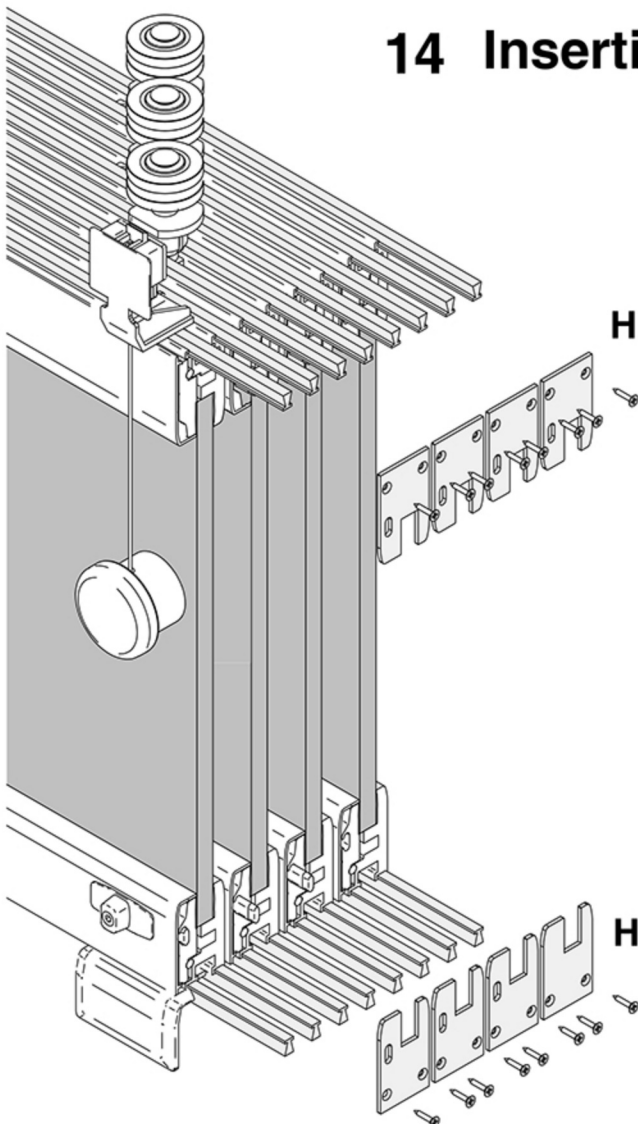




## 13 Swing door installation



## 14 Inserting brushes



**G-FITTINGS GmbH**

Marie-Curie-Straße 16-18  
46446 Emmerich am Rhein  
T +49 (0)2822 962 0  
E sales@g-fittings.com