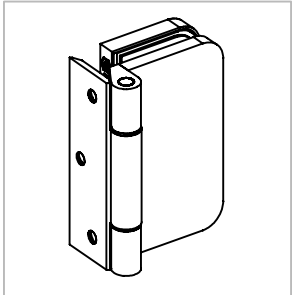


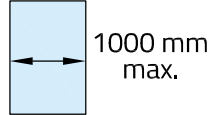
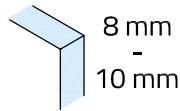
Technische Daten:
Türscharnier - CASSIE

Datasheet:
Door hinge - CASSIE

Art. 77452241000-20
Art. 77452241000-26
Art. 77452241000-46



Ausführung:
Options:



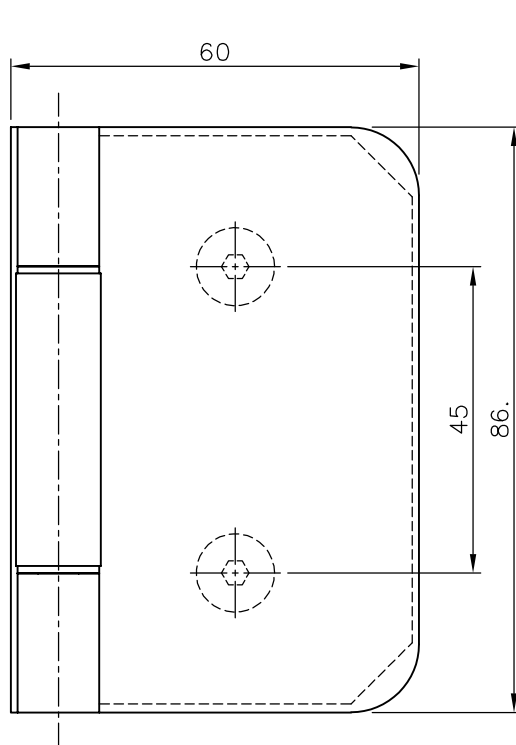
Material:
Material: Aluminium
aluminium

Gewicht: / Weight: 0,225 kg

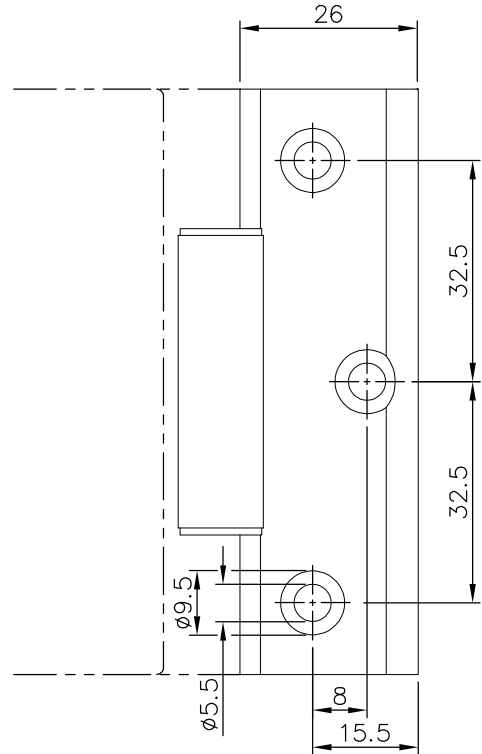
Oberflächen:
Finish: Edelstahl-Design
Stainless steel design

Anthrazit-Design
Anthracite design

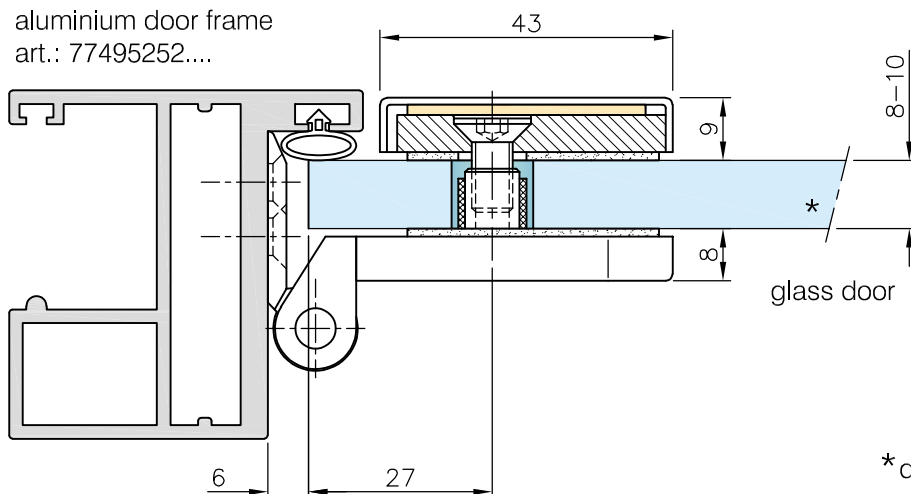
Silber matt eloxiert
silver matt anodized



hinge flap (on frame or wall)



aluminium door frame
art.: 77495252....

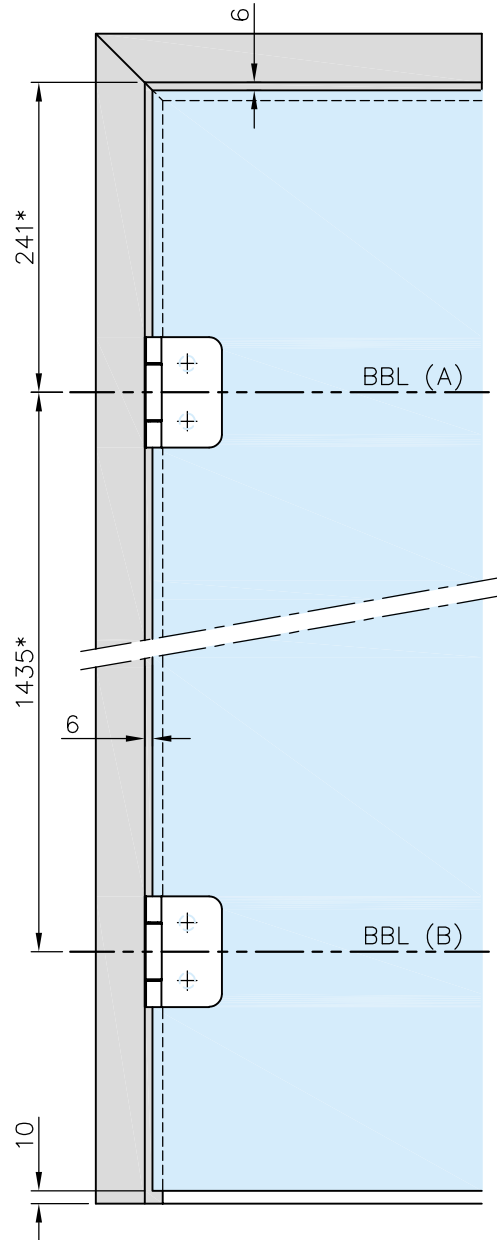
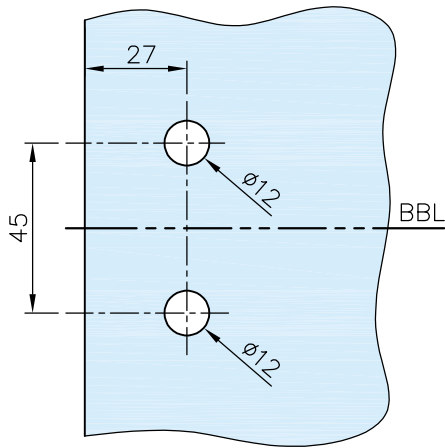


* drawing shows 10 mm glass

Art. 77452241000-20
 Art. 77452241000-26
 Art. 77452241000-46

Stand 03.2024

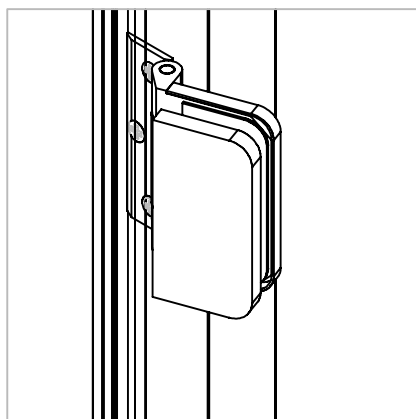
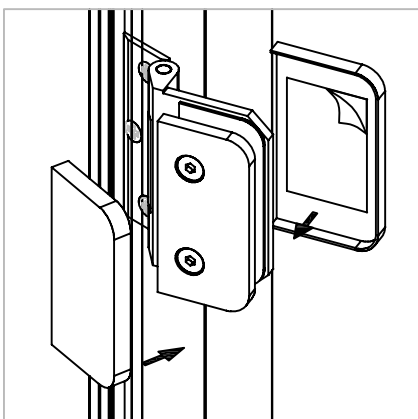
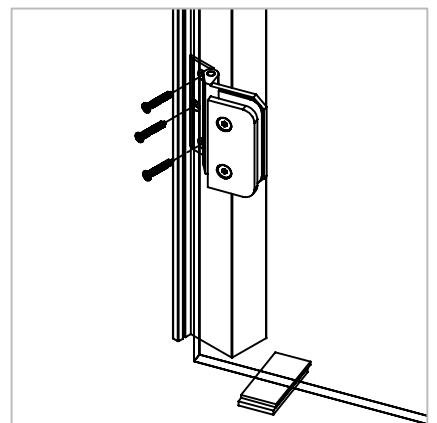
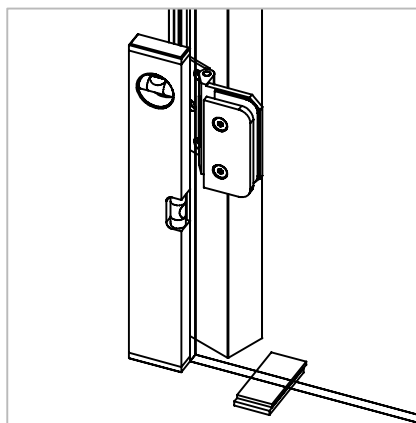
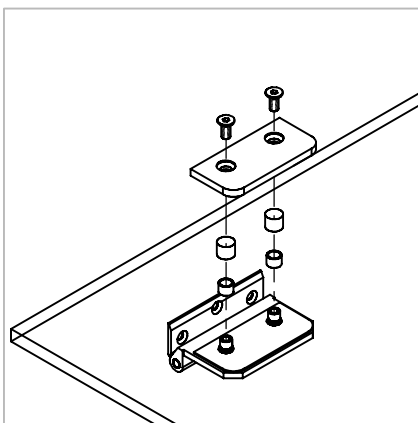
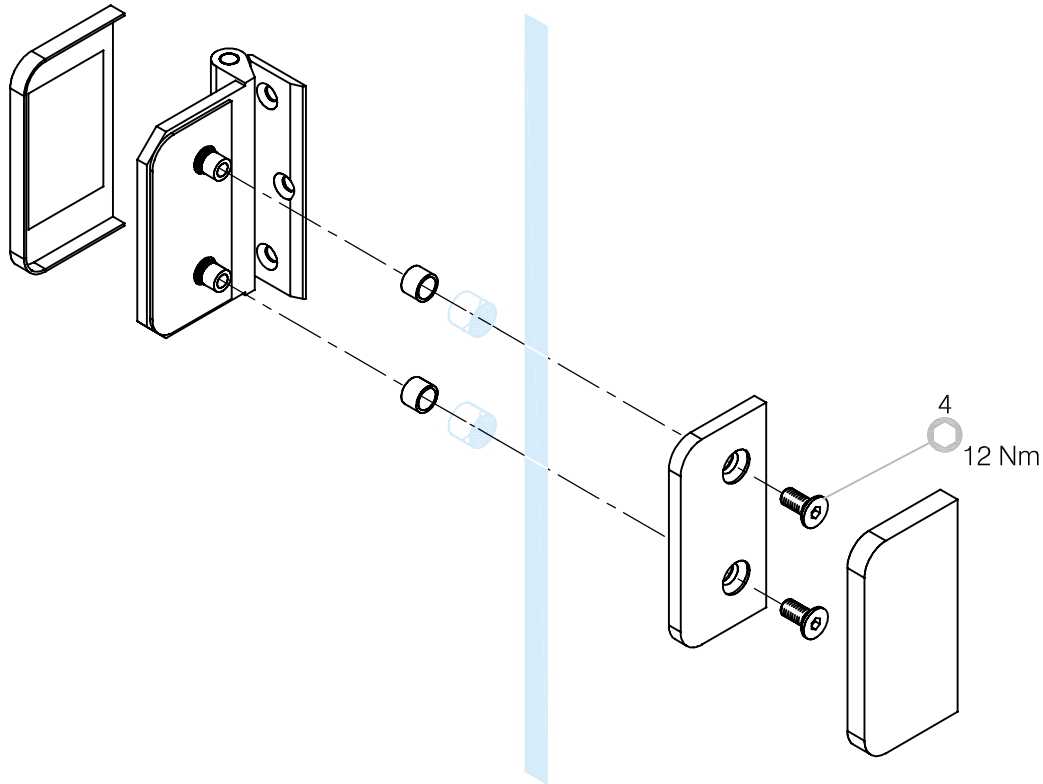
Glasbearbeitung:
 Glass preparation:



Empfehlungsmaße entsprechend *DIN 18268

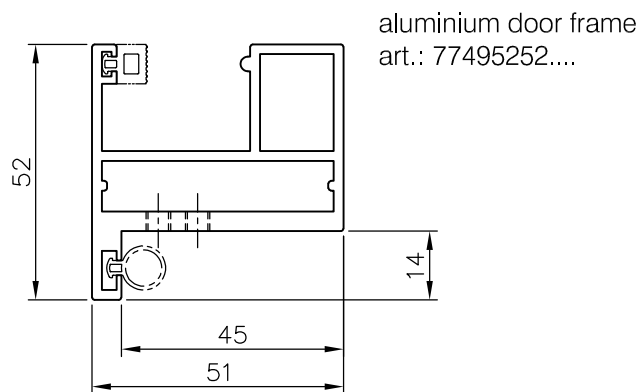
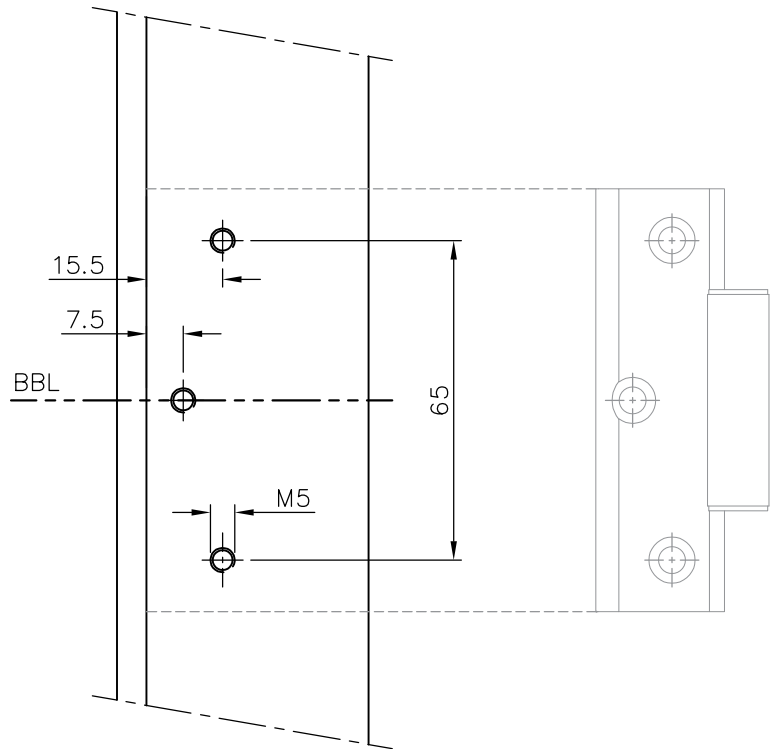
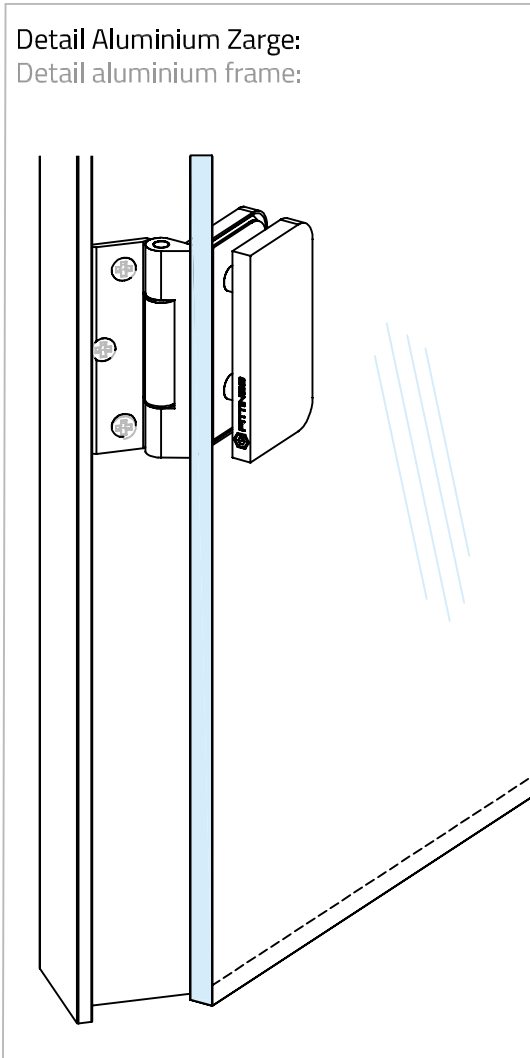
Glastürhöhe Glass door height	Abstand Zargenfalz - BBL(A) distance frame rebate - BBL(A)	Abstand BBL(A) - BBL(B) distance BBL(A) - BBL(B)
1860 mm - 2110 mm	241 +1 mm	1435 mm ±0,5 mm
2111 mm - 2235 mm	241 +1 mm	1560 mm ±0,5 mm
2236 mm - 2360 mm	241 +1 mm	1685 mm ±0,5 mm

Art. 77452241000-20
Art. 77452241000-26
Art. 77452241000-46



Art. 77452241000-20
 Art. 77452241000-26
 Art. 77452241000-46

Detail Aluminium Zarge:
 Detail aluminium frame:



G-FITTINGS GmbH

Marie-Curie-Straße 16-18
 46446 Emmerich am Rhein
 T +49 (0)2822 962 0
 F +49 (0)2822 962 221
 E sales@g-fittings.com