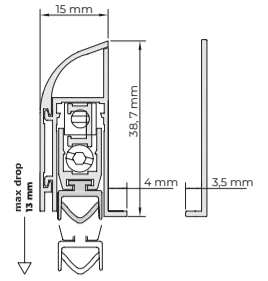




**Product number:**  
77550300930-xx  
77550300103-xx

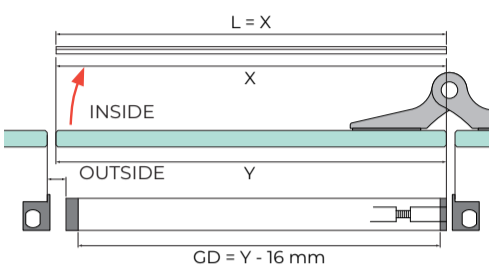
CUT DOWN SIZES		
STANDARD SIZE	930 mm	1030 mm
Z mm	100 mm	100 mm

TOOLS REQUIRED

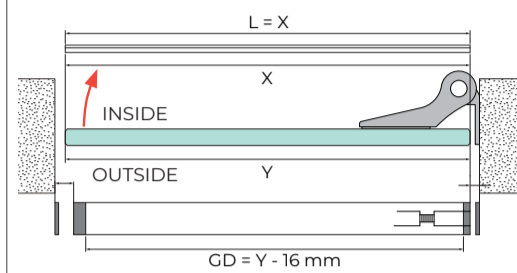


## LEFT HAND SIDE

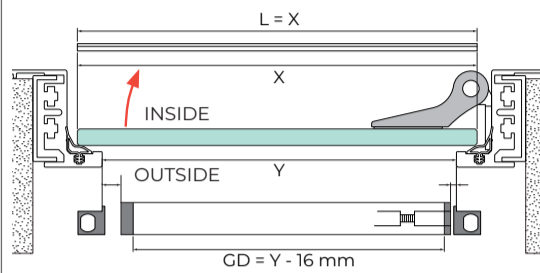
## RIGHT HAND SIDE



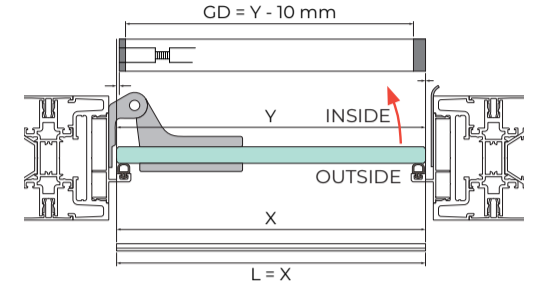
GLASS - GLASS



GLASS - MASONRY

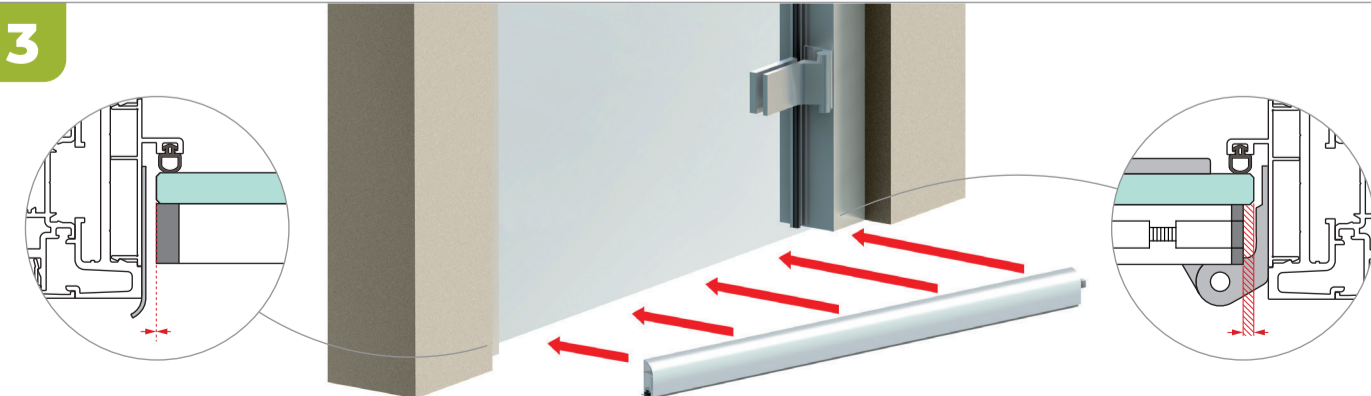
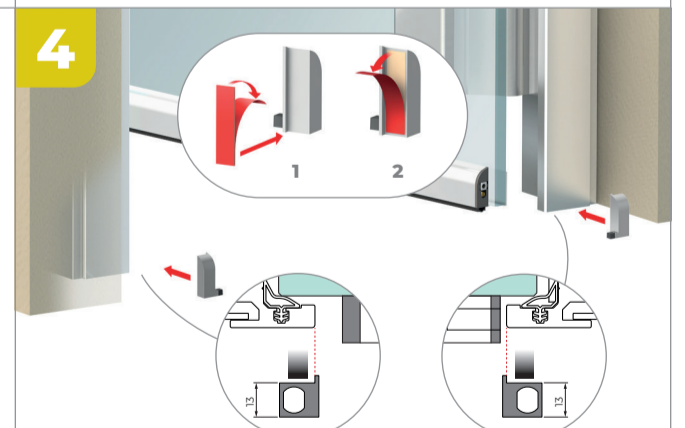
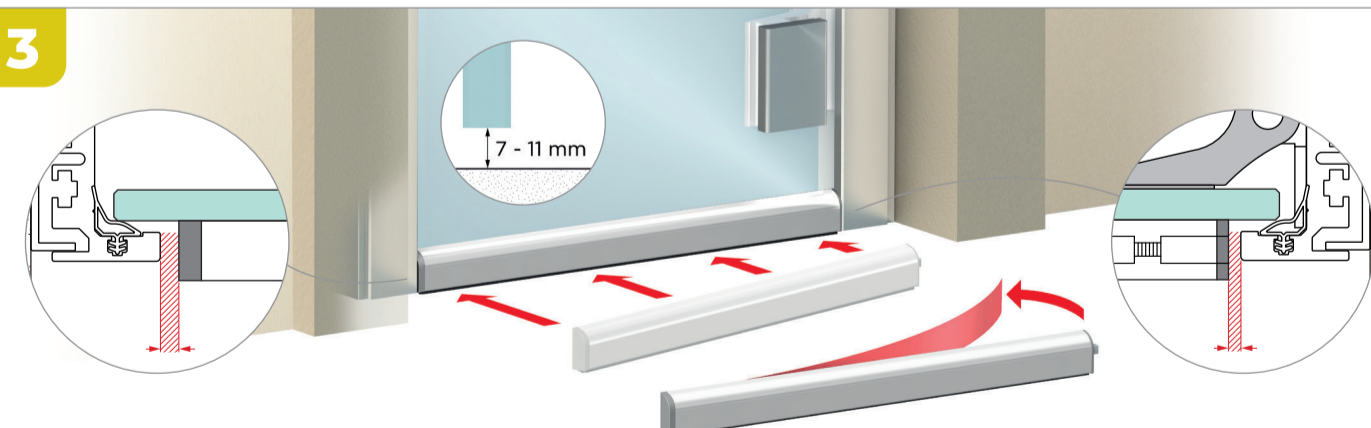
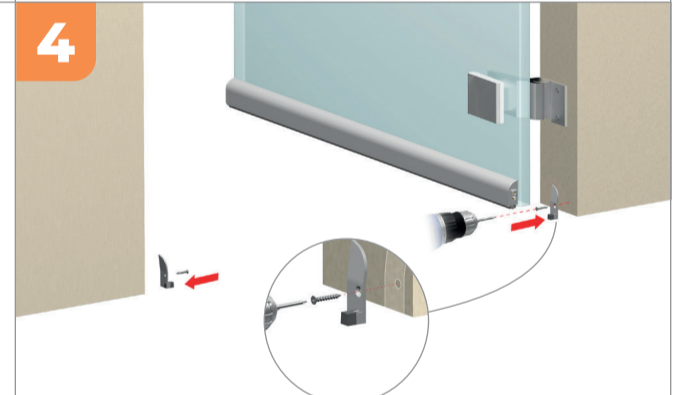
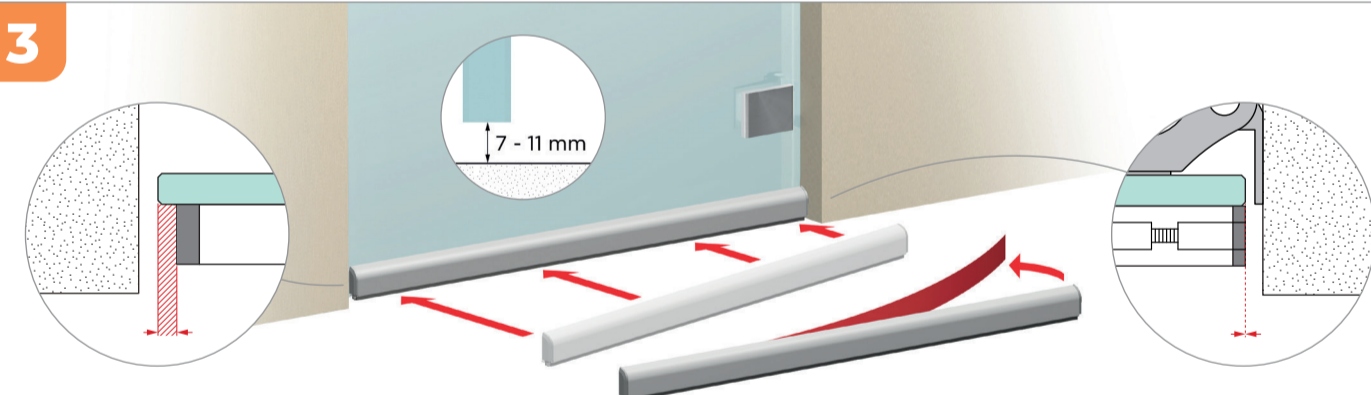
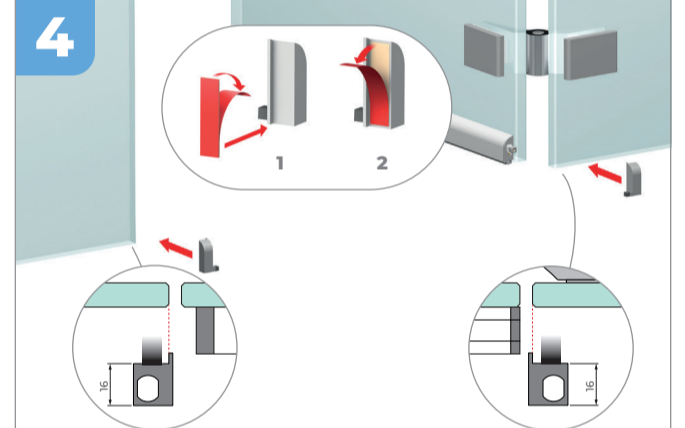
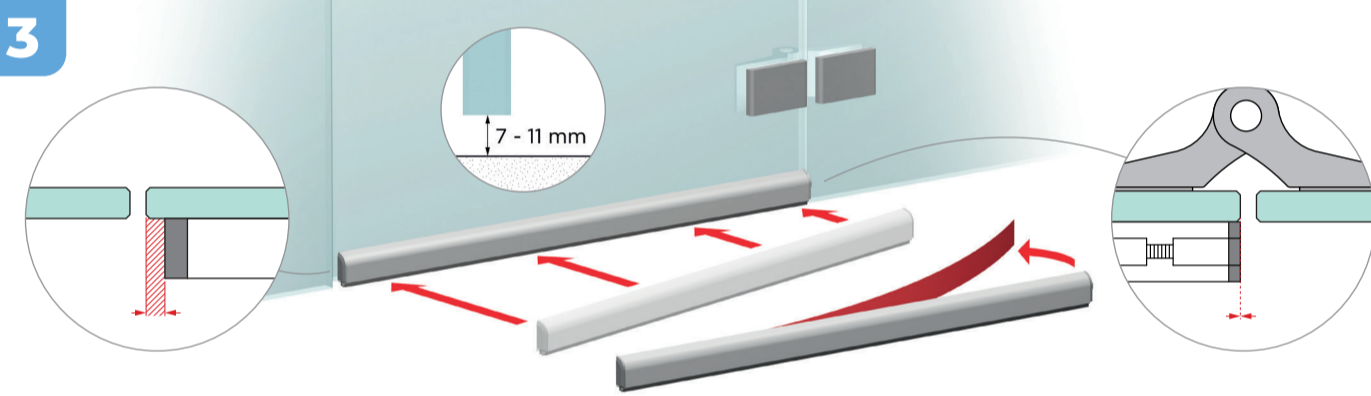
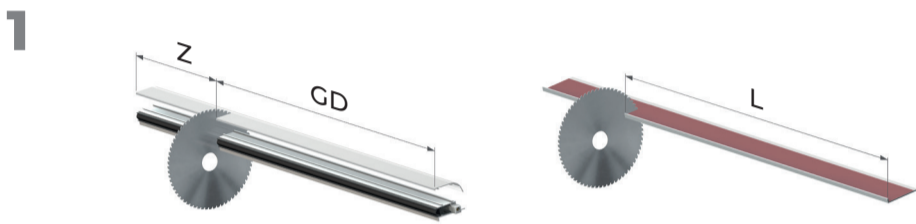


GLASS - ALUMINIUM



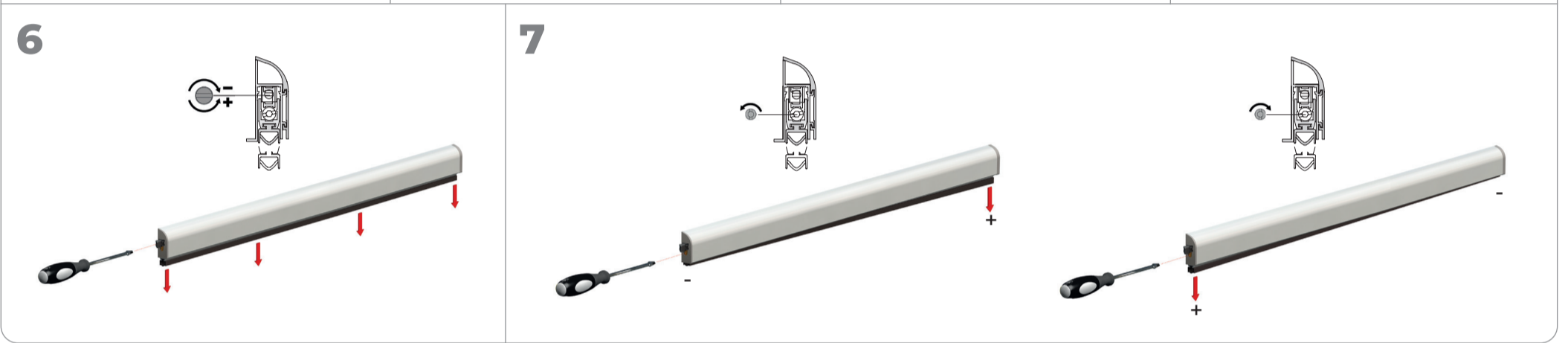
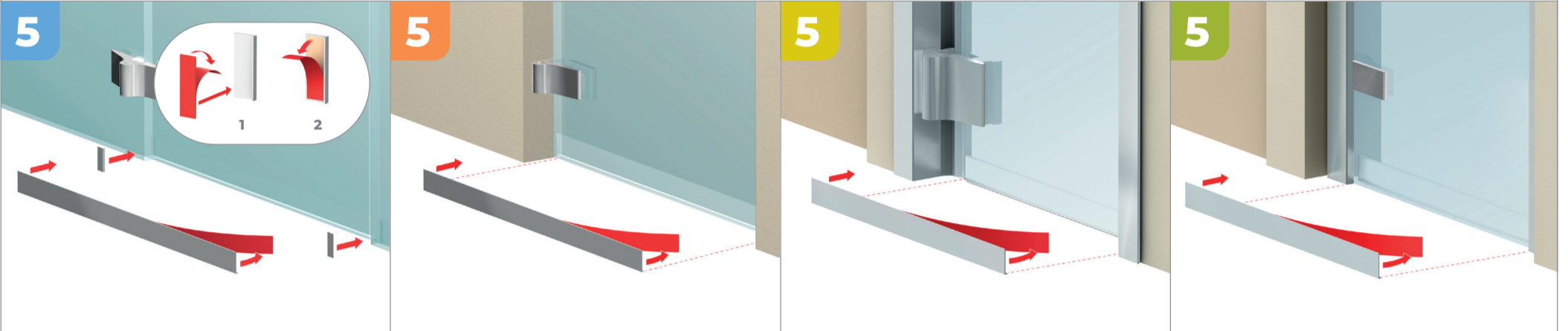
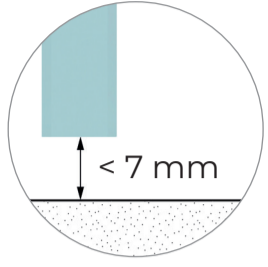
GLASS - ALUMINIUM (PIVOT)

The drop seal is ready to use for a left hand side, see instruction on back page to install the drop seal for a right hand side.



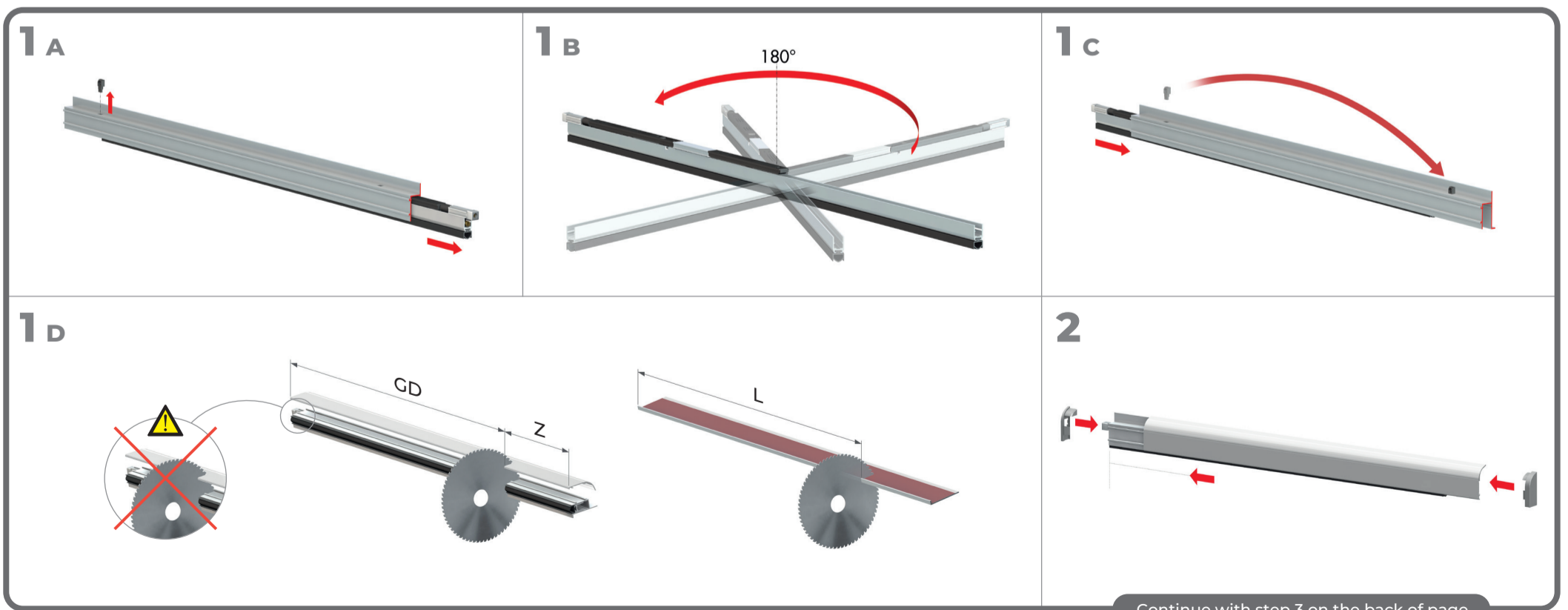
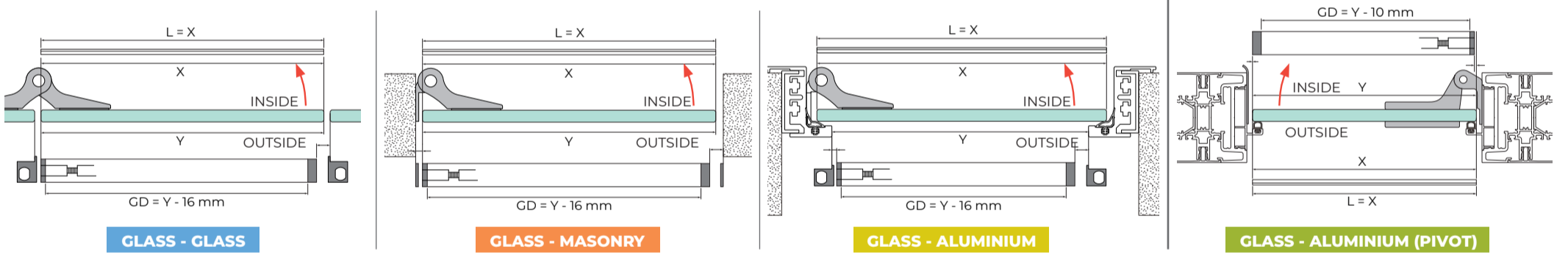
**4**

NO ACTIVATOR required for this application



RIGHT HAND SIDE

LEFT HAND SIDE



Continue with step 3 on the back of page