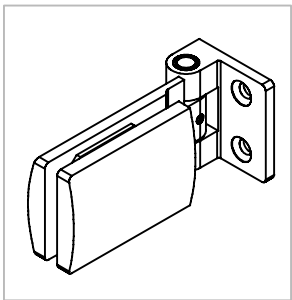


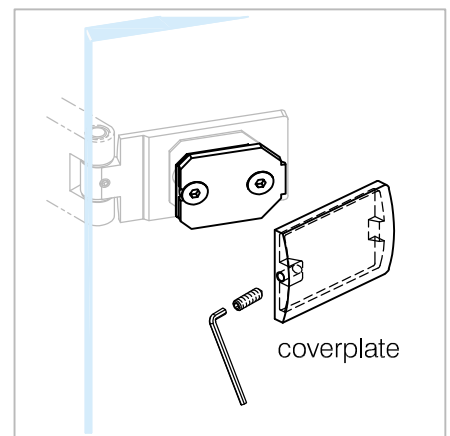
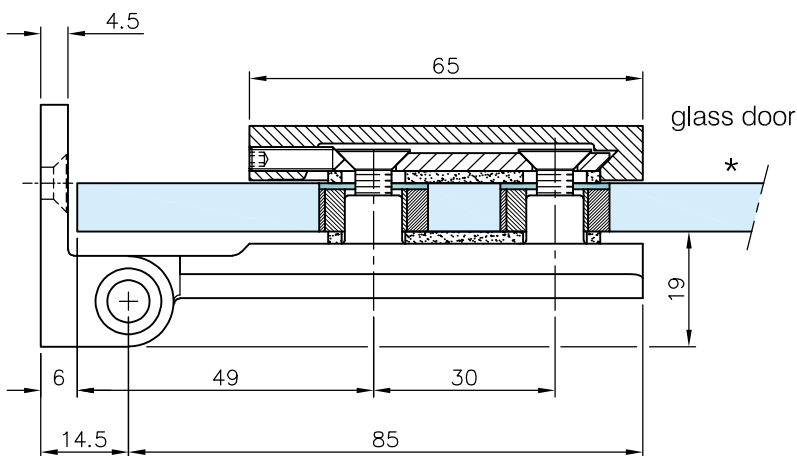
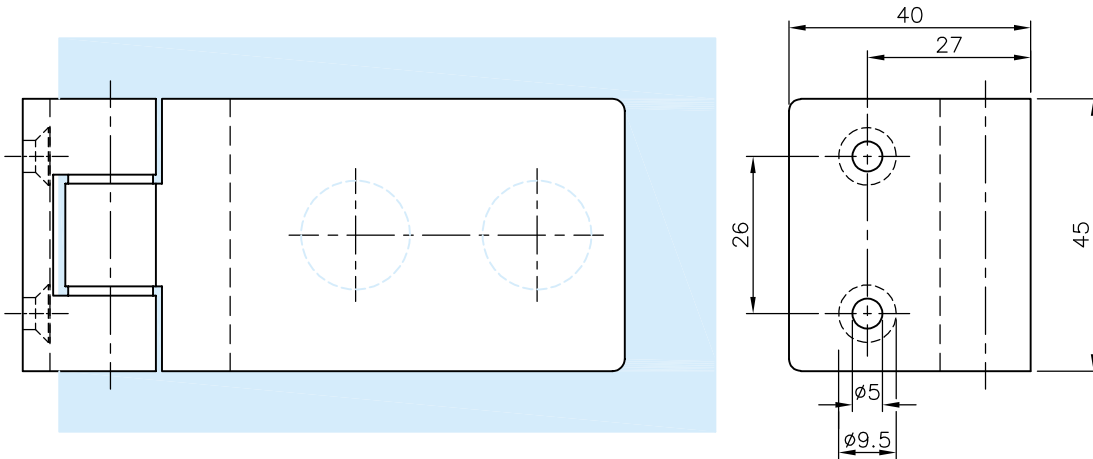
Technische Daten:
Glastürscharnier - HELENA

Datasheet:
Glass door hinge - HELENA

Art. 77410501090-10
Art. 77410501090-12
Art. 77410501090-26



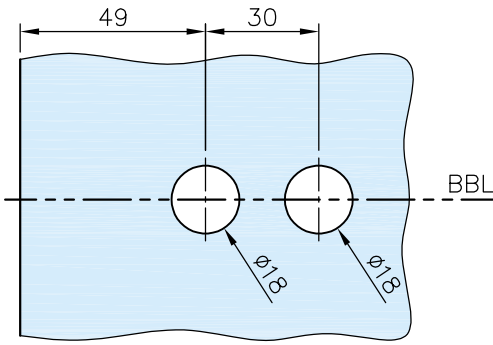
Ausführung: Options:	6 mm - 10mm	1200 mm max.	50 kg max.	DIN links/left + DIN rechts/right
	Material: Material:	V2A Stainless steel AISI 304		Gewicht: / Weight: 0,476 kg
Oberflächen: Finish:	Edelstahl-Design Stainless steel design	Chrom-Design Chrome design	Anthrazit-Design Anthracite design	



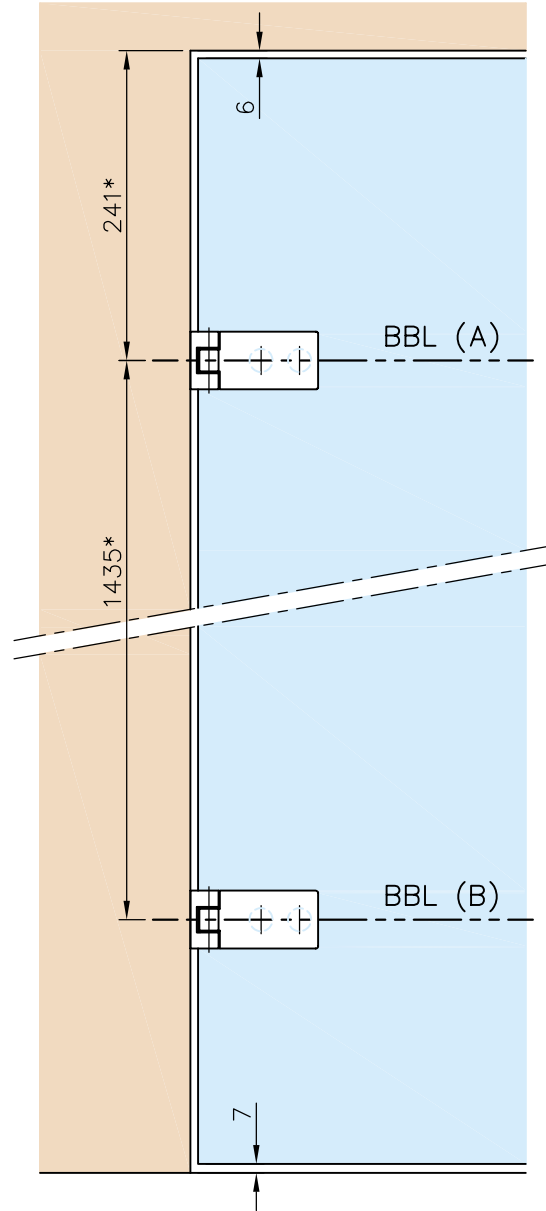
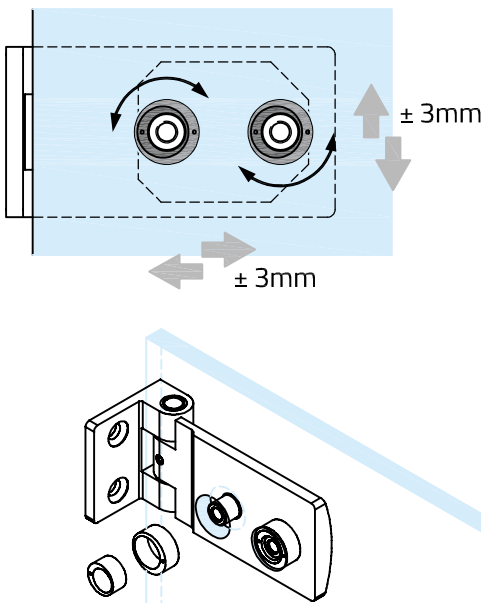
*drawing shows
8mm glass

Art. 77410501090-10
 Art. 77410501090-12
 Art. 77410501090-26

Glasbearbeitung:
 Glass preparation:



Exzenter-Glasbohrungshülsen:
 Eccentric glass bore sleeves:

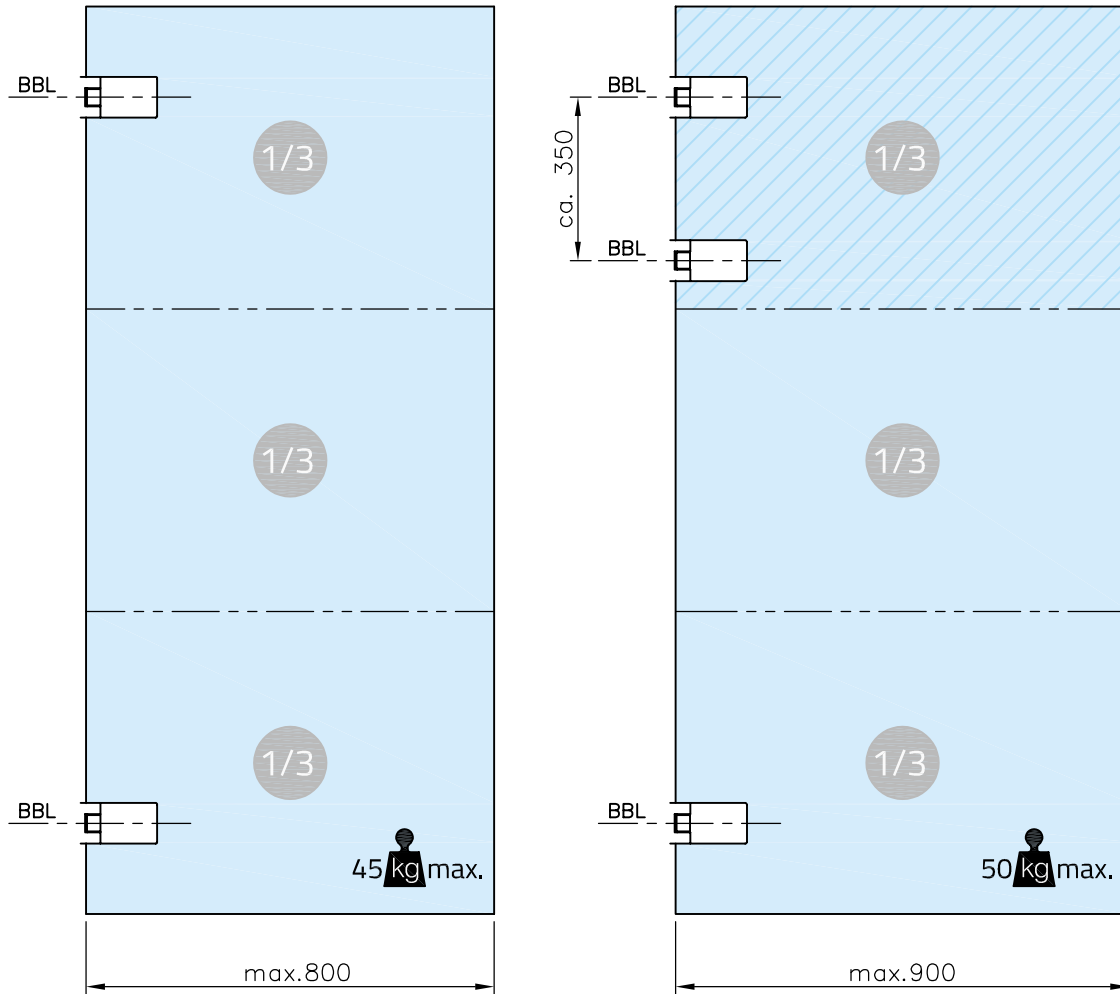


Empfehlungsmaße entsprechend *DIN 18268
 Recommended dimensions according to *DIN 18268

<i>Glastürhöhe</i> Glass door height	<i>Abstand Zargenfalz - BBL(A)</i> distance frame rebate - BBL(A)	<i>Abstand BBL(A) - BBL(B)</i> distance BBL(A) - BBL(B)
1860 mm - 2110 mm	241 +1 mm	1435 mm $\pm 0,5$ mm
2111 mm - 2235 mm	241 +1 mm	1560 mm $\pm 0,5$ mm
2236 mm - 2360 mm	241 +1 mm	1685 mm $\pm 0,5$ mm

Art. 77410501090-10
Art. 77410501090-12
Art. 77410501090-26

Breite/Ausladung:
Width/extension:



(no scaled view)

G-FITTINGS GmbH

Marie-Curie-Straße 16-18
46446 Emmerich am Rhein
T +49 (0)2822 962 0
F +49 (0)2822 962 221
E sales@g-fittings.com