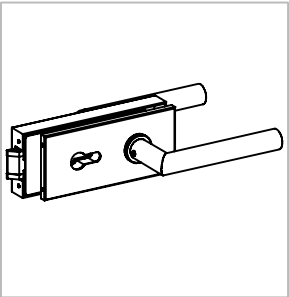
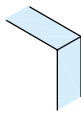






Technische Daten:
Glastürschloss - ANDEL

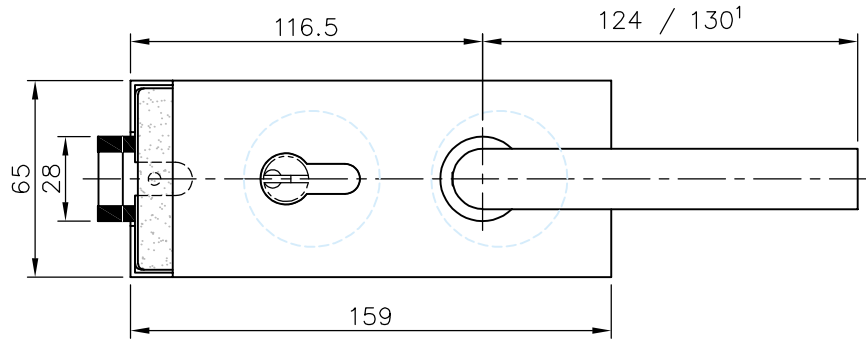
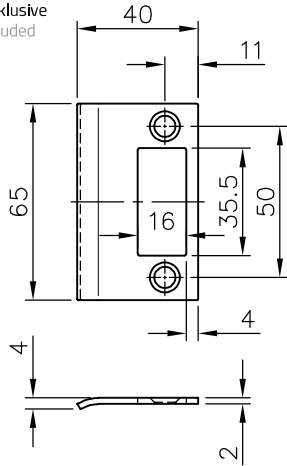
Datasheet:
Glass door lock - ANDEL

Art. 77452260002-12
Art. 77452260002-26
Art. 77452260002-46

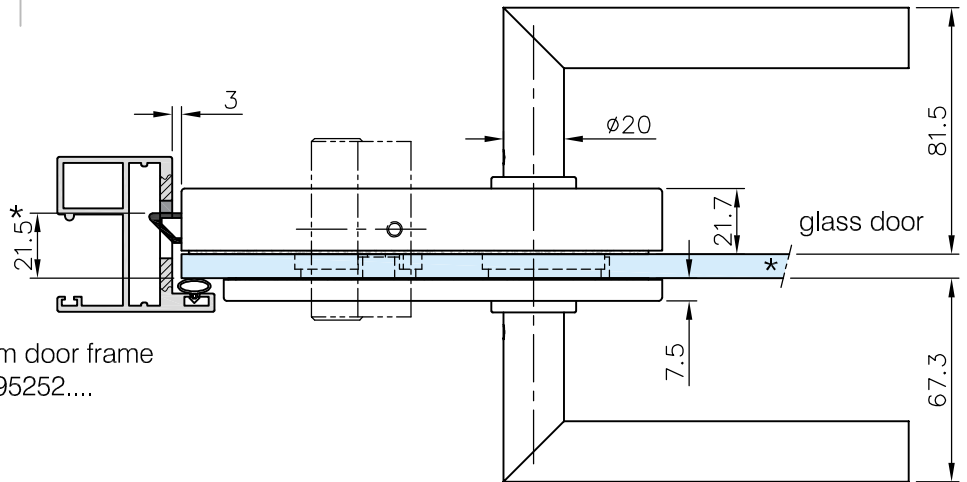


Ausführung: Options:	 8 mm	 DIN links/left	 für:/for: Profilzylinder Profile cylinder
	 10mm	 + DIN rechts/right	
Material:	V2A / Aluminium	Gewicht: / Weight: 1,16 kg	
Material:	Stainless steel AISI 304 / Aluminium		
Oberflächen: Finish:	Edelstahl-Design Stainless steel design	Anthrazit-Design Anthracite design	¹ Silber matt eloxiert ¹ silver matt anodized

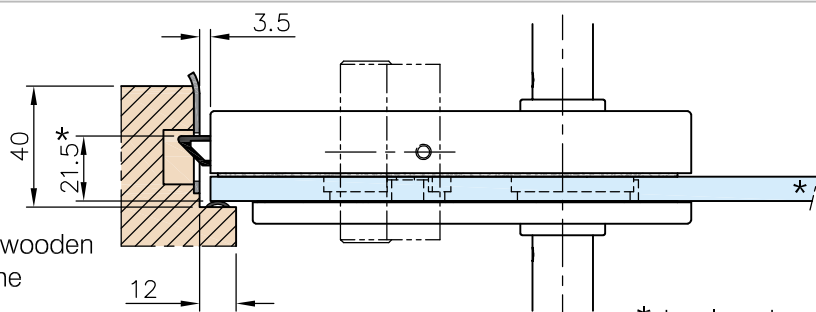
Schließblech inklusive
Strike plate included



aluminium door frame
art.: 77495252....



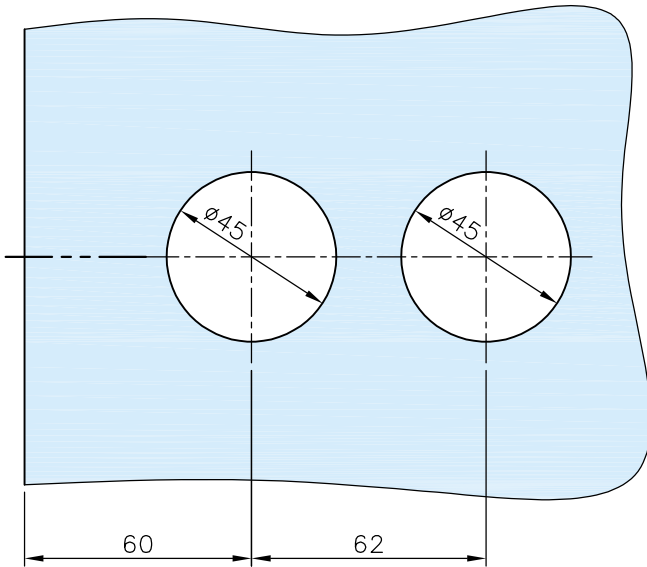
example wooden
door frame



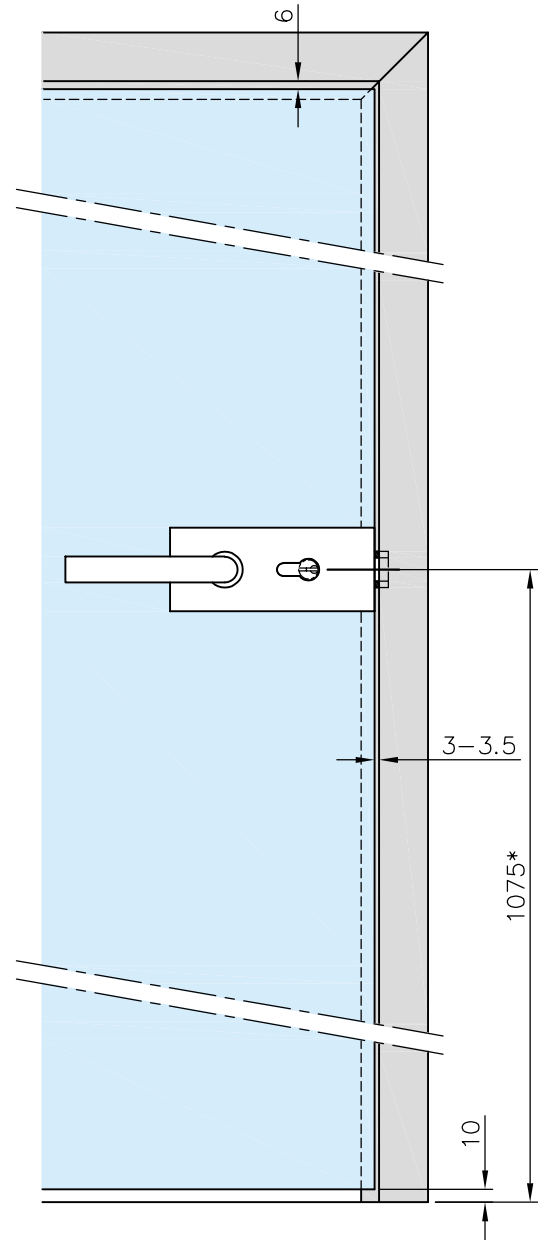
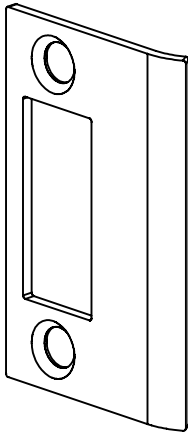
*drawing shows 8mm glass

Art. 77452260002-12
 Art. 77452260002-26
 Art. 77452260002-46

Glasbearbeitung:
 Glass preparation:



Schließblech:
 Strike plate:



*Empfohlene Türdrücker Höhe
 *Recommended door handle height

G-FITTINGS GmbH

Marie-Curie-Straße 16-18
 46446 Emmerich am Rhein
 T +49 (0)2822 962 0
 F +49 (0)2822 962 221
 E sales@g-fittings.com