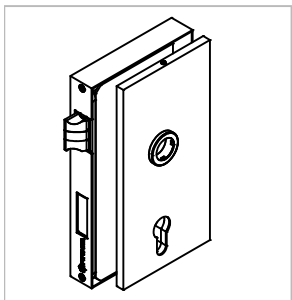


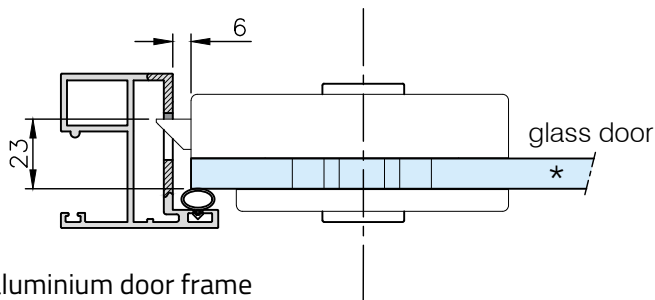
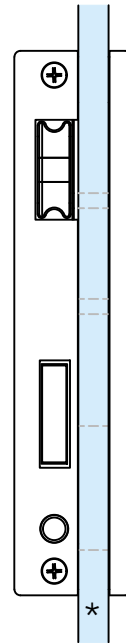
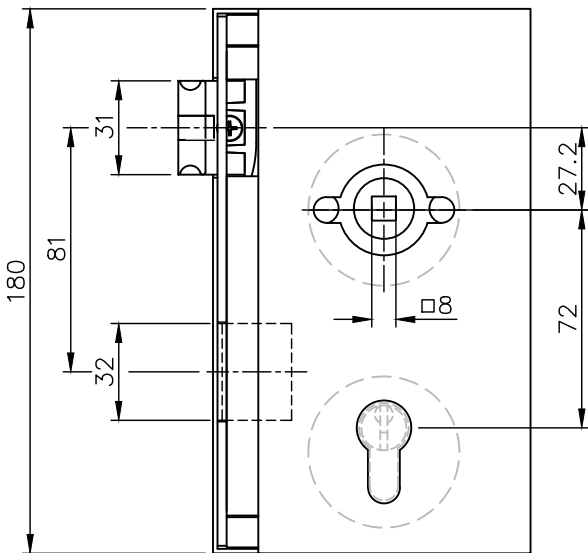
Technische Daten:  
 Glastür Schlosskasten für Türdrücker mit Rosetten- MARENE

Datasheet:  
 Glass door lock for lever handles with rosettes- MARENE Art. 77452810001-12  
 Art. 77452810001-26

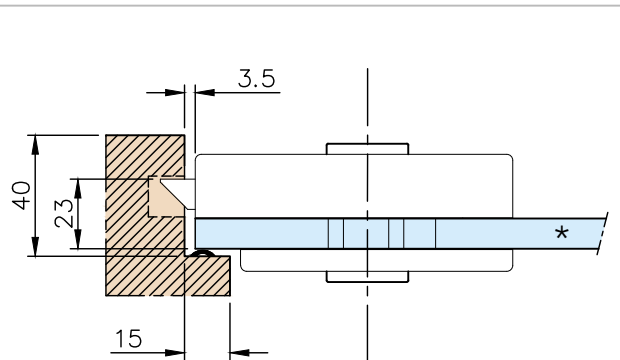
Stand 06.2024



|                                |  |                                       |   |
|--------------------------------|--|---------------------------------------|---|
| <b>Ausführung:</b><br>Options: | 8 mm<br>-<br>10mm                          | DIN links/left                        | für:/for:<br>Profilzylinder<br>Profile cylinder |
| <b>Material:</b><br>Material:  | V2A<br>Stainless steel AISI 304            | <b>Gewicht: / Weight:</b> 1,2 kg      |   |
| <b>Oberflächen:</b><br>Finish: | Edelstahl-Design<br>Stainless steel design | Anthrazit-Design<br>Anthracite design |   |



aluminium door frame  
 art.: 77495252....

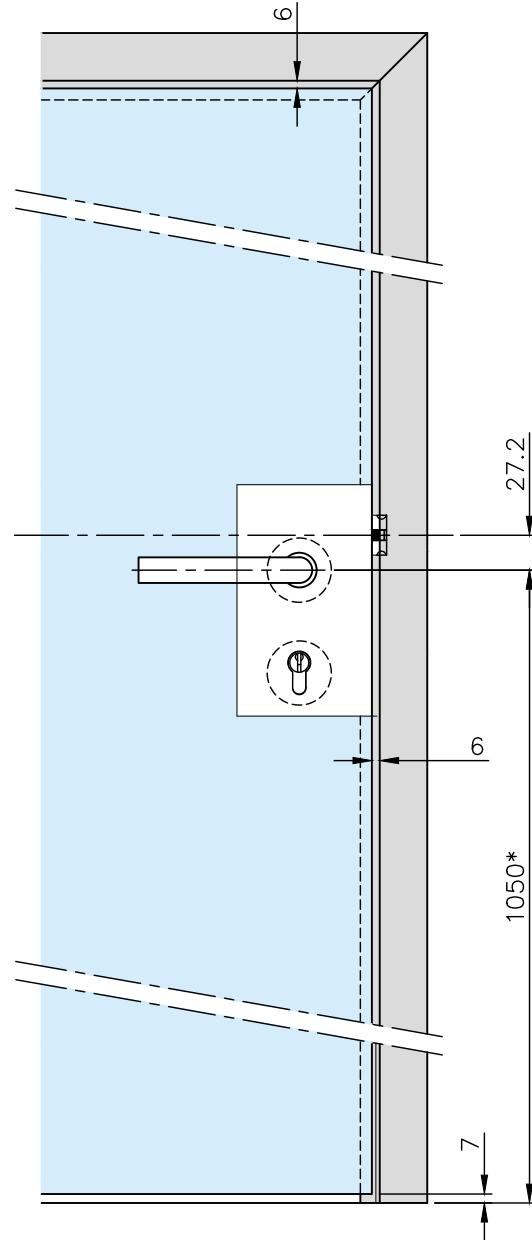
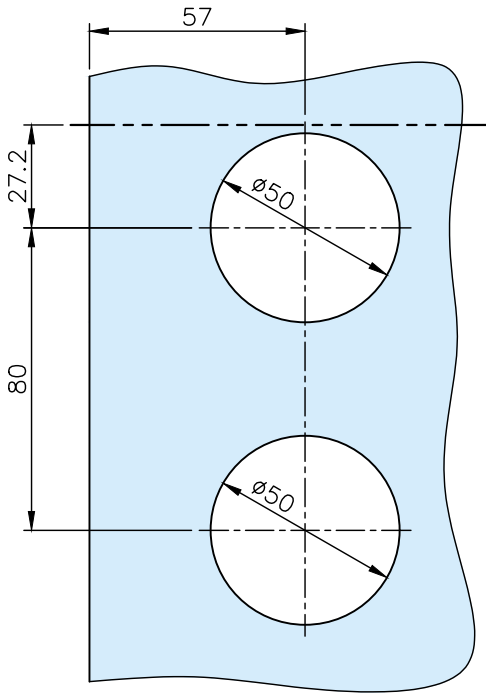


example wooden  
 door frame

\*drawing shows  
 10mm glass

Art. 77452810001-12  
 Art. 77452810001-26

Glasbearbeitung:  
 Glass preparation:



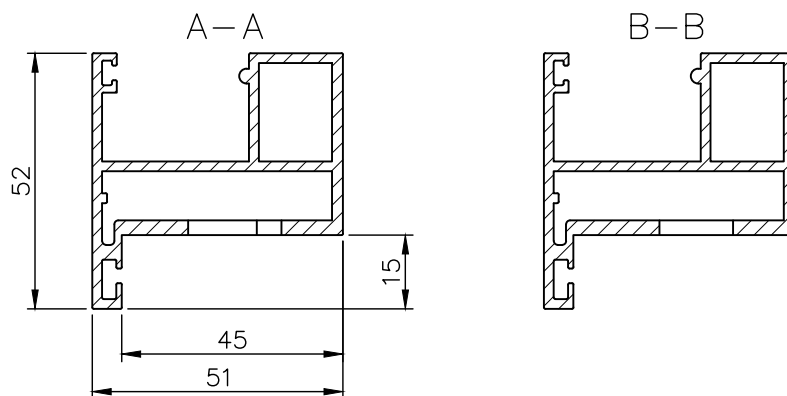
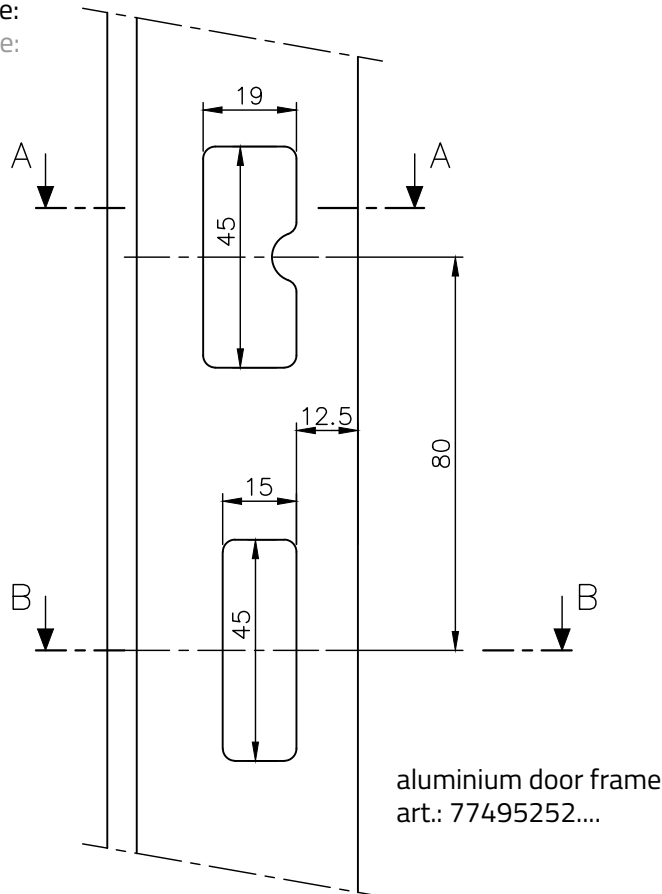
\*Empfohlene Türdrücker Höhe  
 \*Recommended door handle height

**G-FITTINGS GmbH**

Marie-Curie-Straße 16-18  
 46446 Emmerich am Rhein  
 T +49 (0)2822 962 0  
 E sales@g-fittings.com

Art. 77452810001-12  
Art. 77452810001-26

Detail Aluminium Zarge:  
Detail aluminium frame:



G-FITTINGS GmbH

Marie-Curie-Straße 16-18  
46446 Emmerich am Rhein  
T +49 (0)2822 962 0  
E sales@g-fittings.com