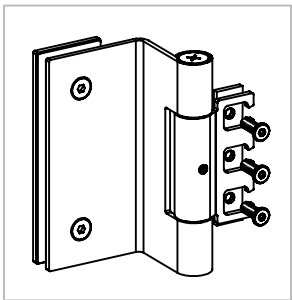


Technische Daten:  
Türscharnier - ANNEMARTHE

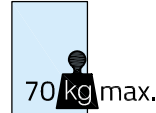
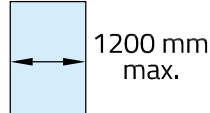
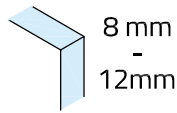
Datasheet:  
Door hinge - ANNEMARTHE

Art. 77452703000-10  
Art. 77452703000-12  
Art. 77452703000-26

Stand 06.2019



Ausführung:  
Options:



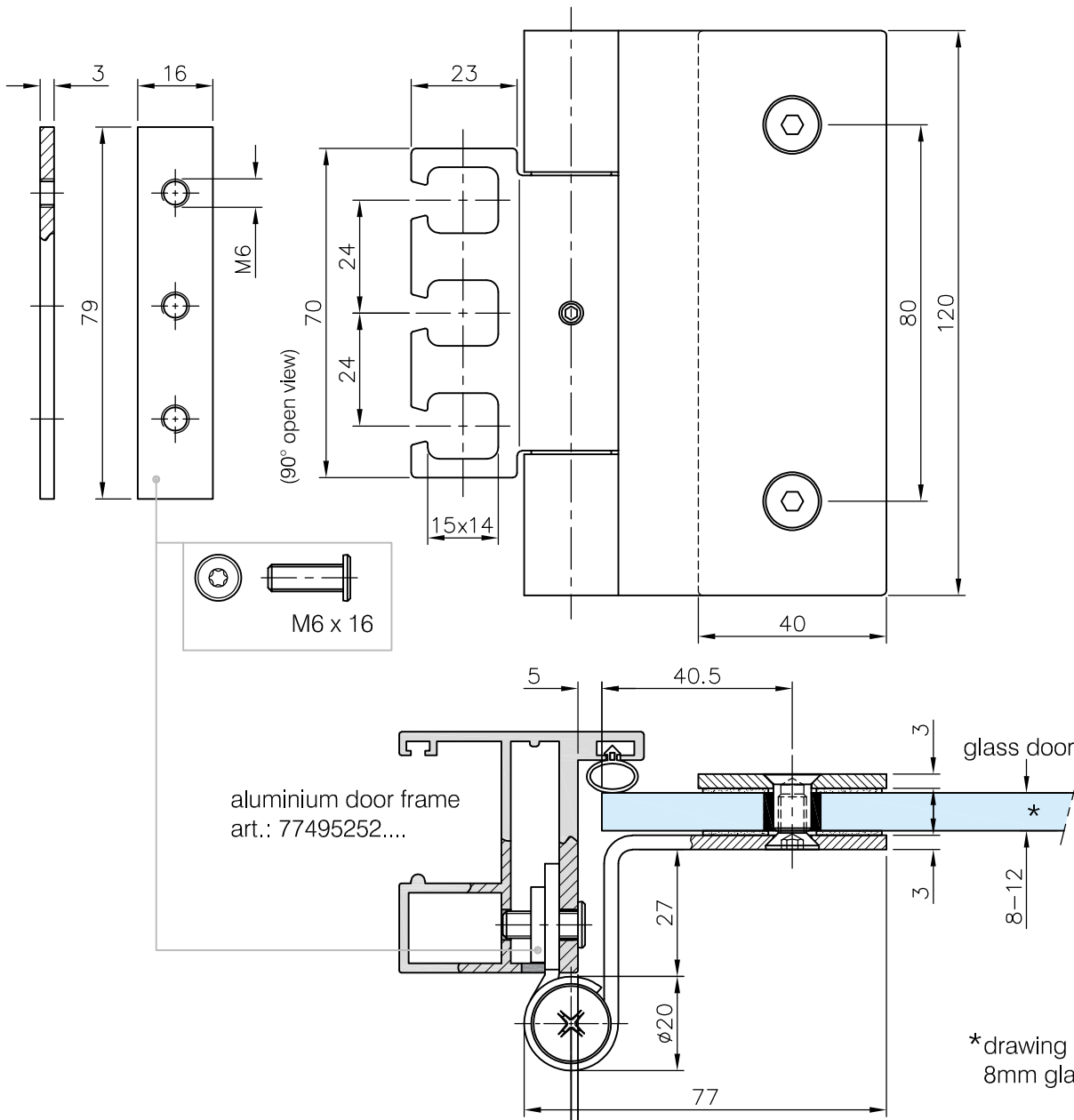
Material: V2A  
Material: Stainless steel AISI 304

Gewicht: / Weight: 0,615 kg

Oberflächen:  
Finish: Edelstahl-Design  
Stainless steel design

Chrom-Design  
Chrome design

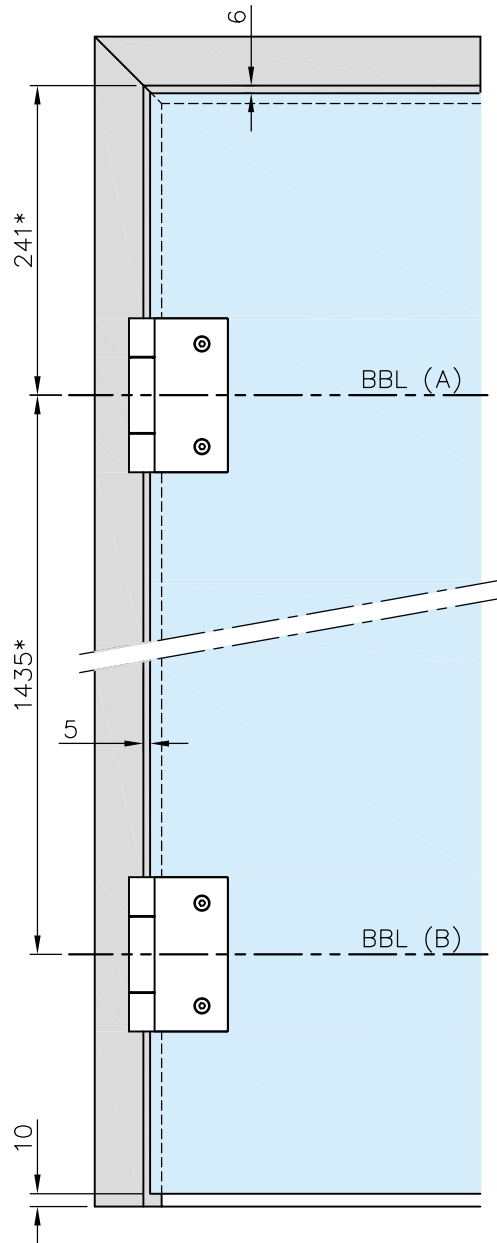
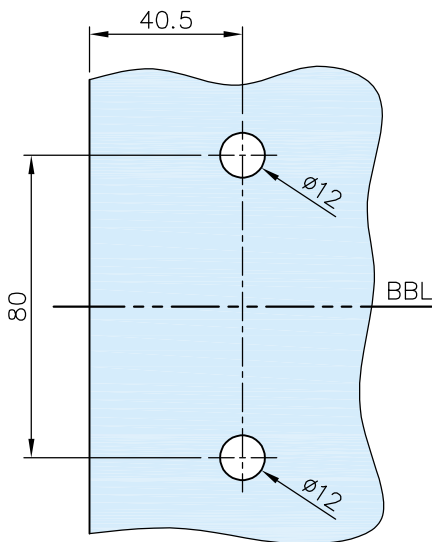
Anthrazit-Design  
Anthracite design



Art. 77452703000-10  
 Art. 77452703000-12  
 Art. 77452703000-26

Stand 06.2019

Glasbearbeitung:  
 Glass preparation:

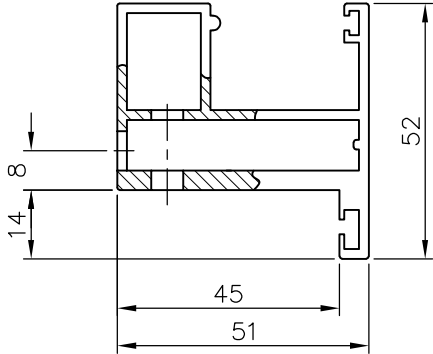
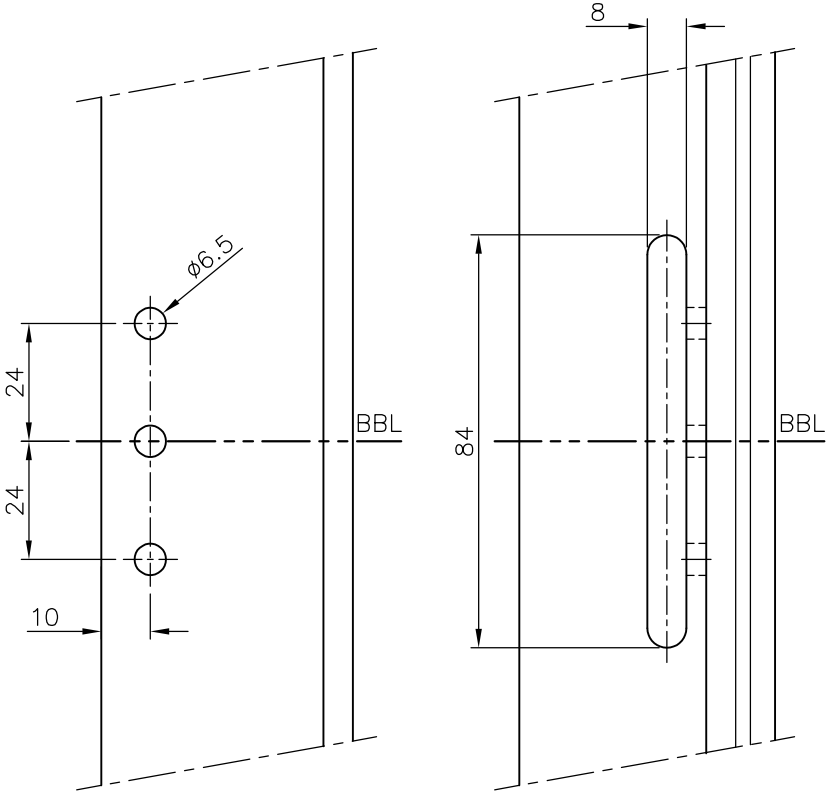
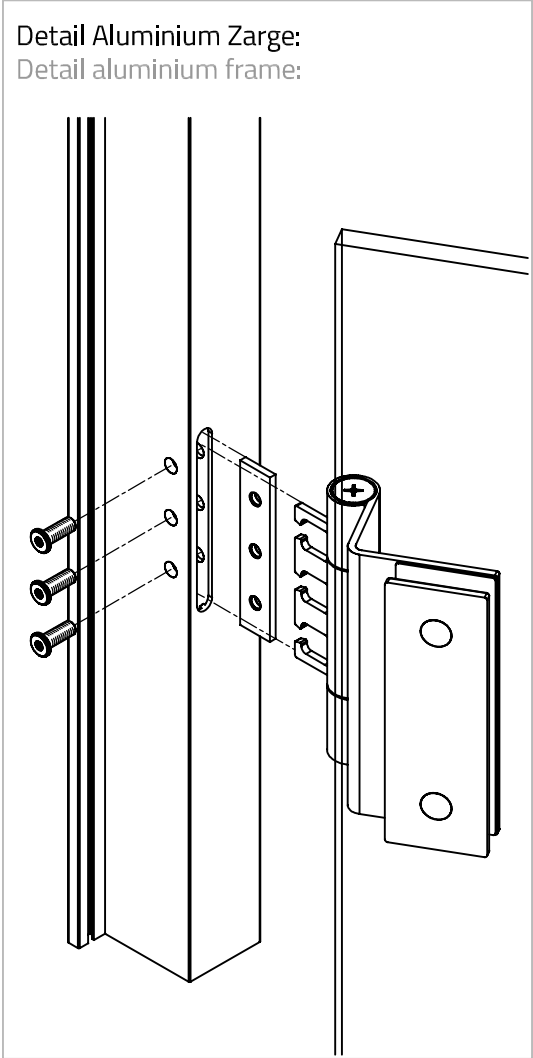


Empfehlungsmaße entsprechend \*DIN 18268  
 Recommended dimensions according to \*DIN 18268

<i>Glastürhöhe</i> Glass door height	<i>Abstand</i> Zargenfalz - BBL(A) distance frame rebate - BBL(A)	<i>Abstand</i> BBL(A) - BBL(B) distance BBL(A) - BBL(B)
1860 mm - 2110 mm	241 +1 mm	1435 mm ±0,5 mm
2111 mm - 2235 mm	241 +1 mm	1560 mm ±0,5 mm
2236 mm - 2360 mm	241 +1 mm	1685 mm ±0,5 mm

Art. 77452703000-10  
Art. 77452703000-12  
Art. 77452703000-26

Detail Aluminium Zarge:  
Detail aluminium frame:



aluminium door frame  
art.: 77495252....

**G-FITTINGS GmbH**  
Marie-Curie-Straße 16-18  
46446 Emmerich am Rhein  
T +49 (0)2822 962 0  
F +49 (0)2822 962 221  
E sales@g-fittings.com