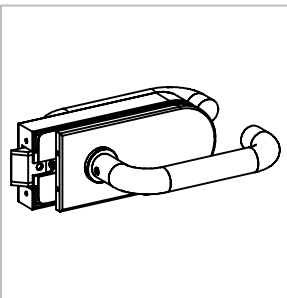
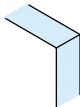




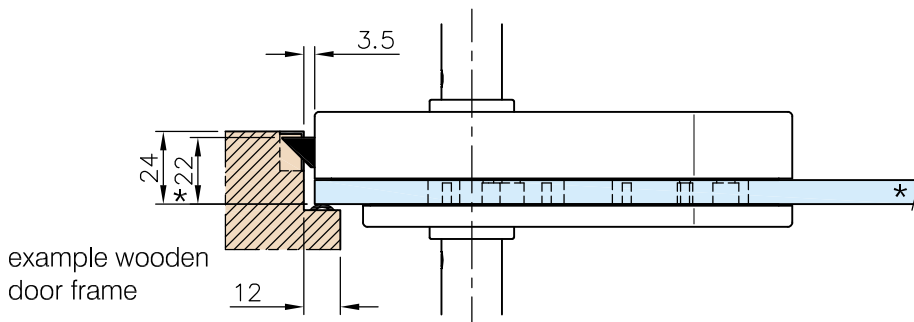
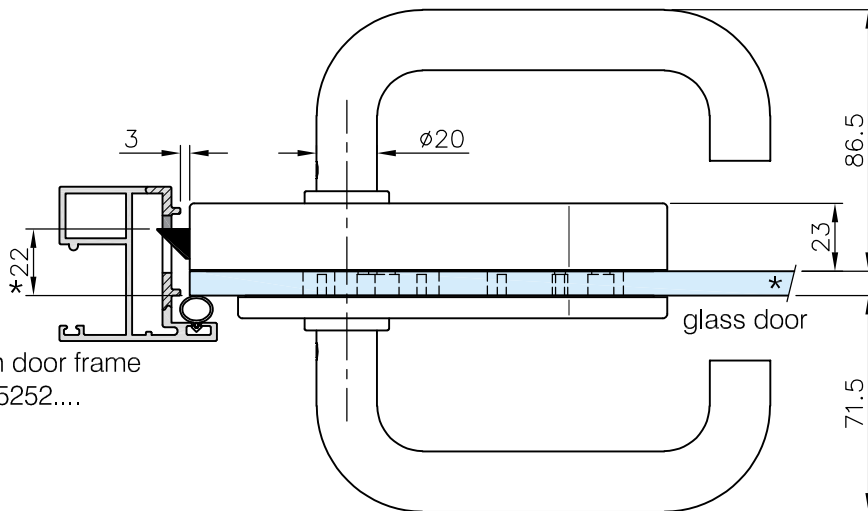
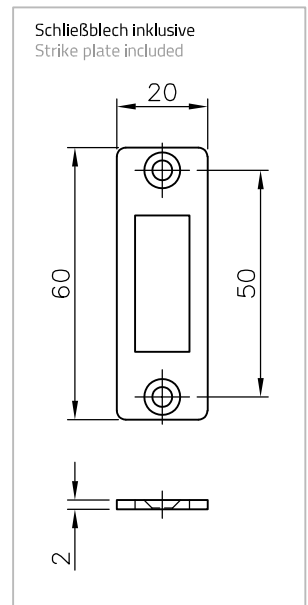
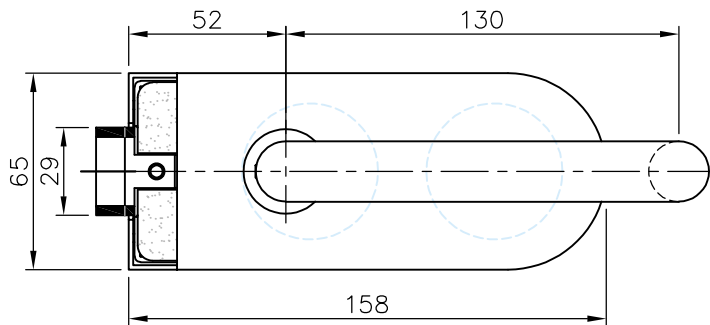
Technische Daten:
Glastürschloss - BRIGHID

Datasheet:
Glass door lock - BRIGHID

Art. 77452210001-10
Art. 77452210001-12
Art. 77452210001-26



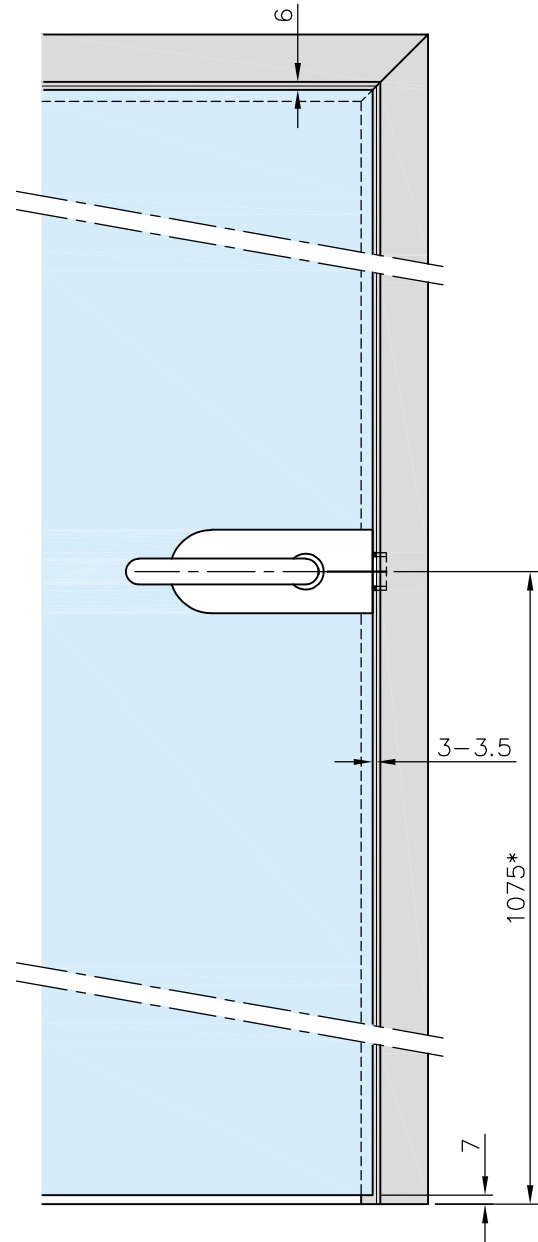
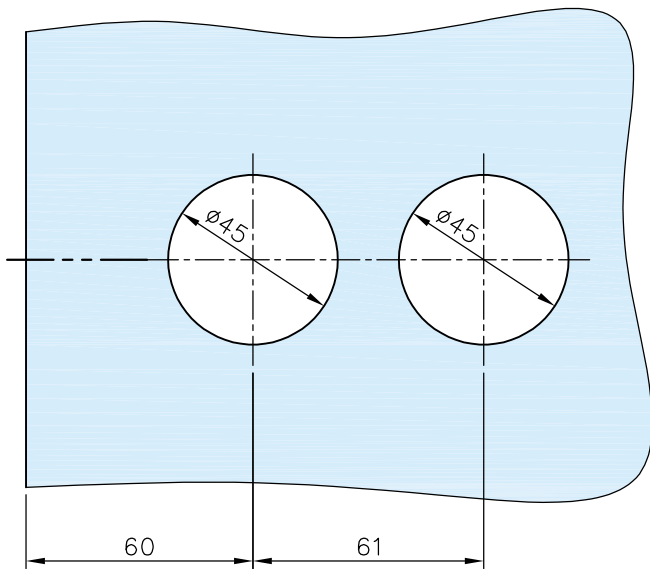
Ausführung: Options:	 8 mm - 10mm	 DIN links/left +  DIN rechts/right	
Material: Material:	V2A Stainless steel AISI 304	Gewicht: / Weight: 1,23 kg	
Oberflächen: Finish:	Edelstahl-Design Stainless steel design	Chrom-Design Chrome design	Anthrazit-Design Anthracite design



*drawing shows
8mm glass

Art. 77452210001-10
 Art. 77452210001-12
 Art. 77452210001-26

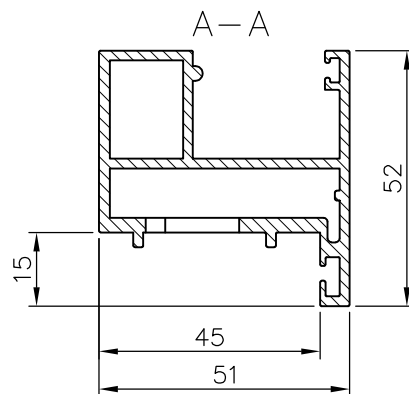
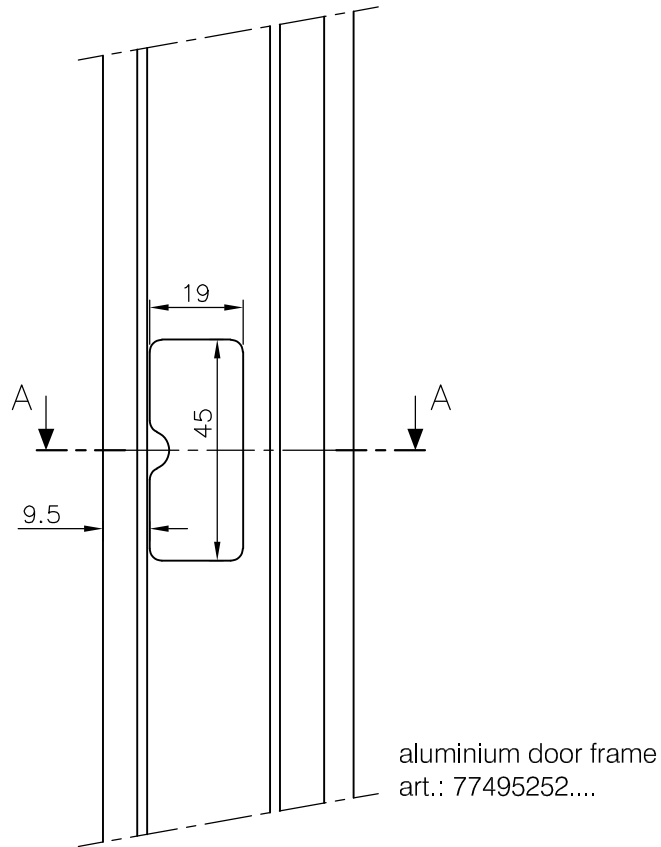
Glasbearbeitung:
 Glass preparation:



*Empfohlene Türdrücker Höhe
 *Recommended door handle height

Art. 77452210001-10
Art. 77452210001-12
Art. 77452210001-26

Detail Aluminium Zarge:
Detail aluminium frame:



G-FITTINGS GmbH

Marie-Curie-Straße 16-18
46446 Emmerich am Rhein
T +49 (0)2822 962 0
F +49 (0)2822 962 221
E sales@g-fittings.com