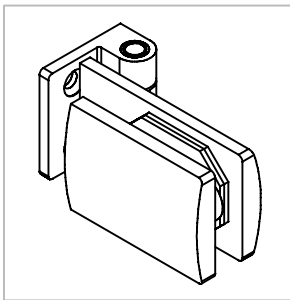


Technische Daten:  
Glastürscharnier - KIMBERLIE

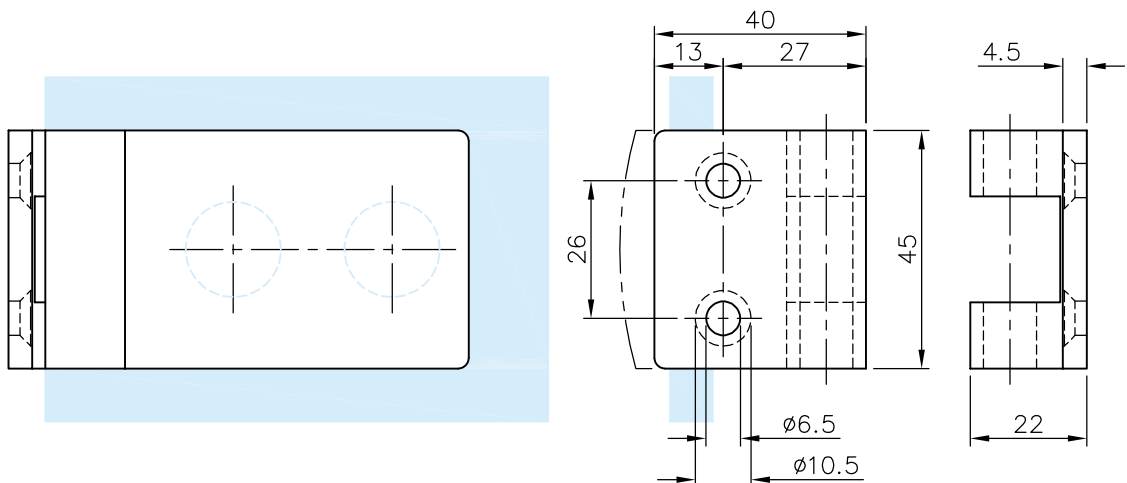
Datasheet:  
Glass door hinge - KIMBERLIE

Art. 77410504090-10  
Art. 77410504090-12  
Art. 77410504090-26

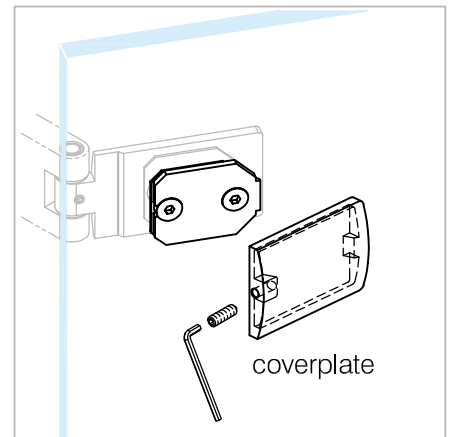
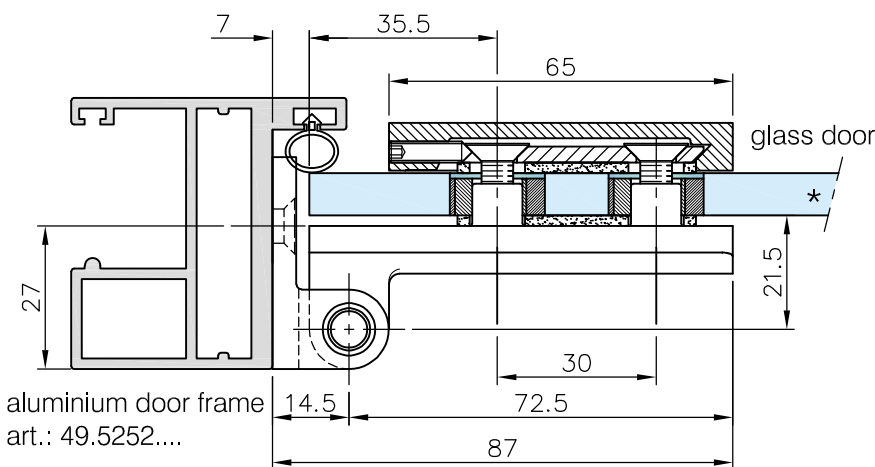
Stand 03.2024



<b>Ausführung:</b> Options:	8 mm - 10mm	1200 mm max.	50 kg max.	DIN links/left + DIN rechts/right
	<b>Material:</b> Material:	V2A Stainless steel AISI 304		<b>Gewicht: / Weight:</b> 0,490 kg
<b>Oberflächen:</b> Finish:	Edelstahl-Design Stainless steel design	Chrom-Design Chrome design	Anthrazit-Design Anthracite design	



mounting part frame (rear view)

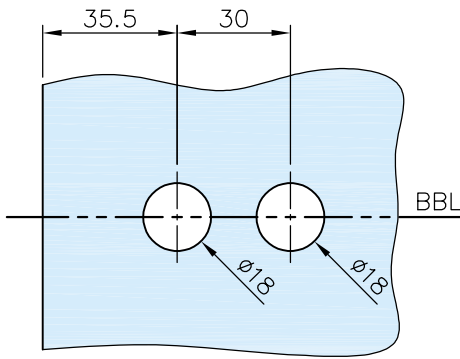


coverplate

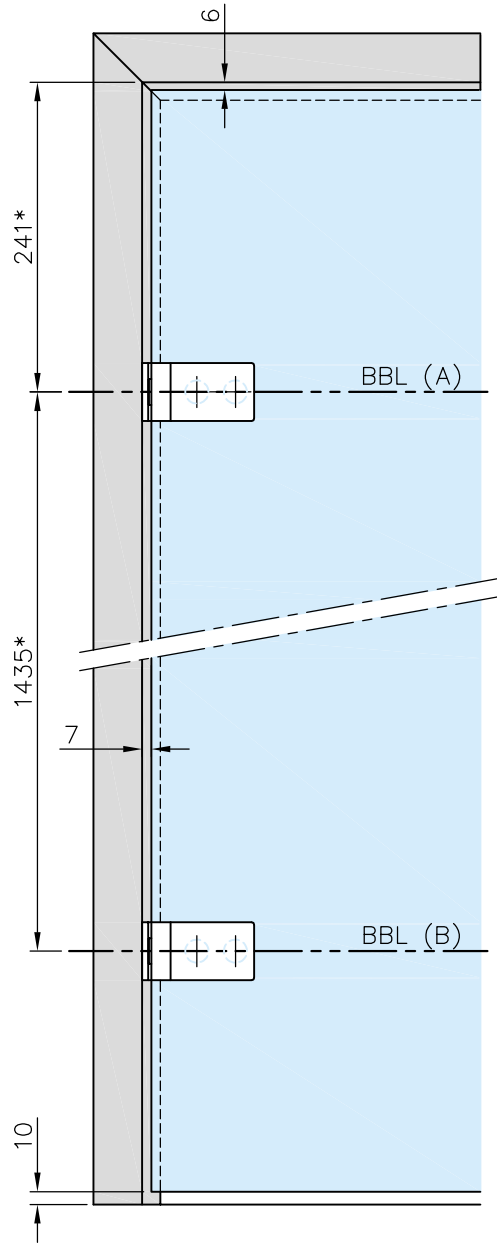
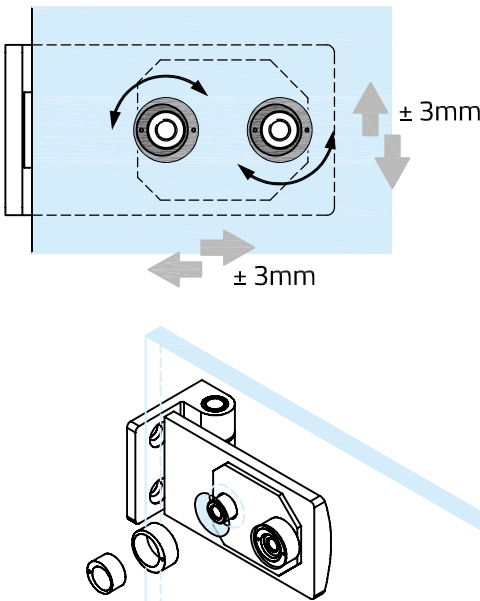
\*drawing shows  
8mm glass

Art. 77410504090-10  
 Art. 77410504090-12  
 Art. 77410504090-26

**Glasbearbeitung:**  
 Glass preparation:



**Exzenter-Glasbohrungshülsen:**  
 Eccentric glass bore sleeves:

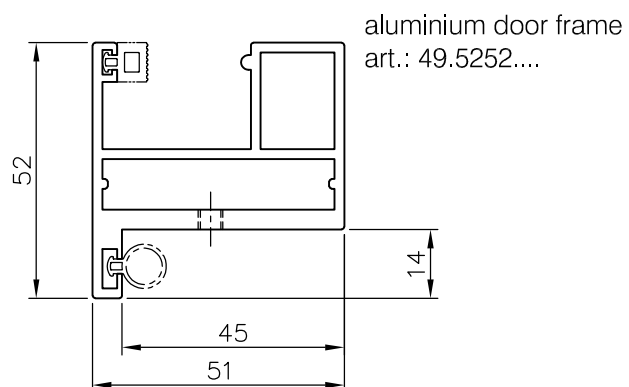
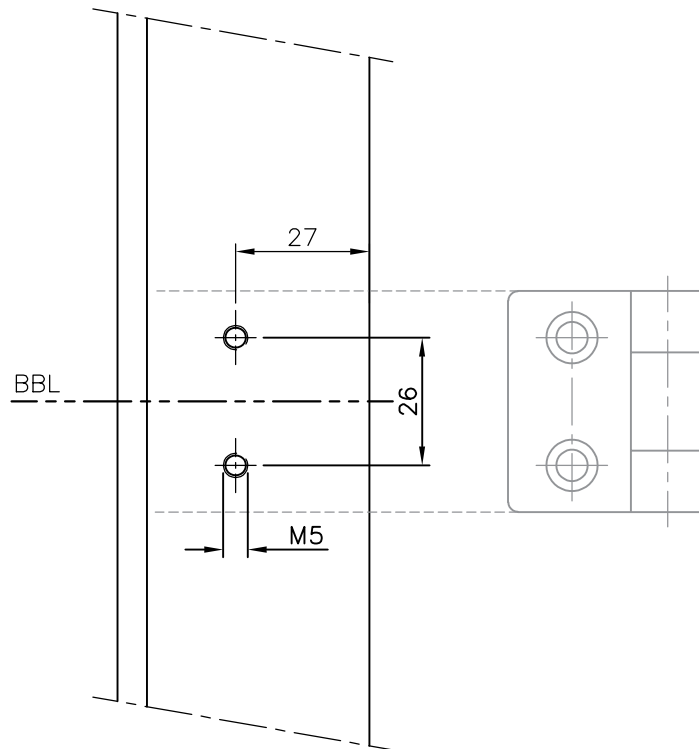
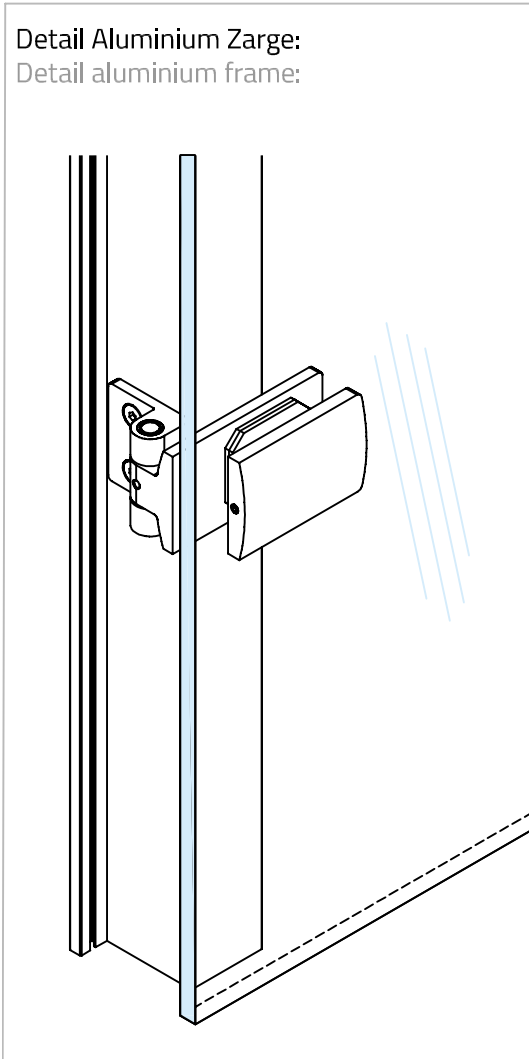


Empfehlungsmaße entsprechend \*DIN 18268  
 Recommended dimensions according to \*DIN 18268

Glastürhöhe Glass door height	Abstand Zargenfalz - BBL(A) distance frame rebate - BBL(A)	Abstand BBL(A) - BBL(B) distance BBL(A) - BBL(B)
1860 mm - 2110 mm	241 +1 mm	1435 mm $\pm 0,5$ mm
2111 mm - 2235 mm	241 +1 mm	1560 mm $\pm 0,5$ mm
2236 mm - 2360 mm	241 +1 mm	1685 mm $\pm 0,5$ mm

Art. 77410504090-10  
 Art. 77410504090-12  
 Art. 77410504090-26

Detail Aluminium Zarge:  
 Detail aluminium frame:



**G-FITTINGS GmbH**

Marie-Curie-Straße 16-18  
 46446 Emmerich am Rhein  
 T +49 (0)2822 962 0  
 F +49 (0)2822 962 221  
 E sales@g-fittings.com