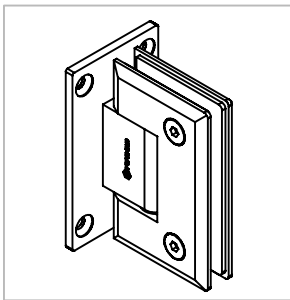


Technische Daten:  
Glastürscharnier - Akasha

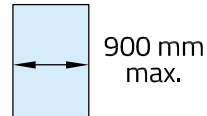
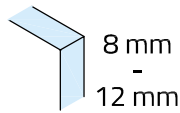
Datasheet:  
Glass door hinge - Akasha

Art. 77413012090-10  
Art. 77413012090-12

Stand 06.2022



Ausführung:  
Options:

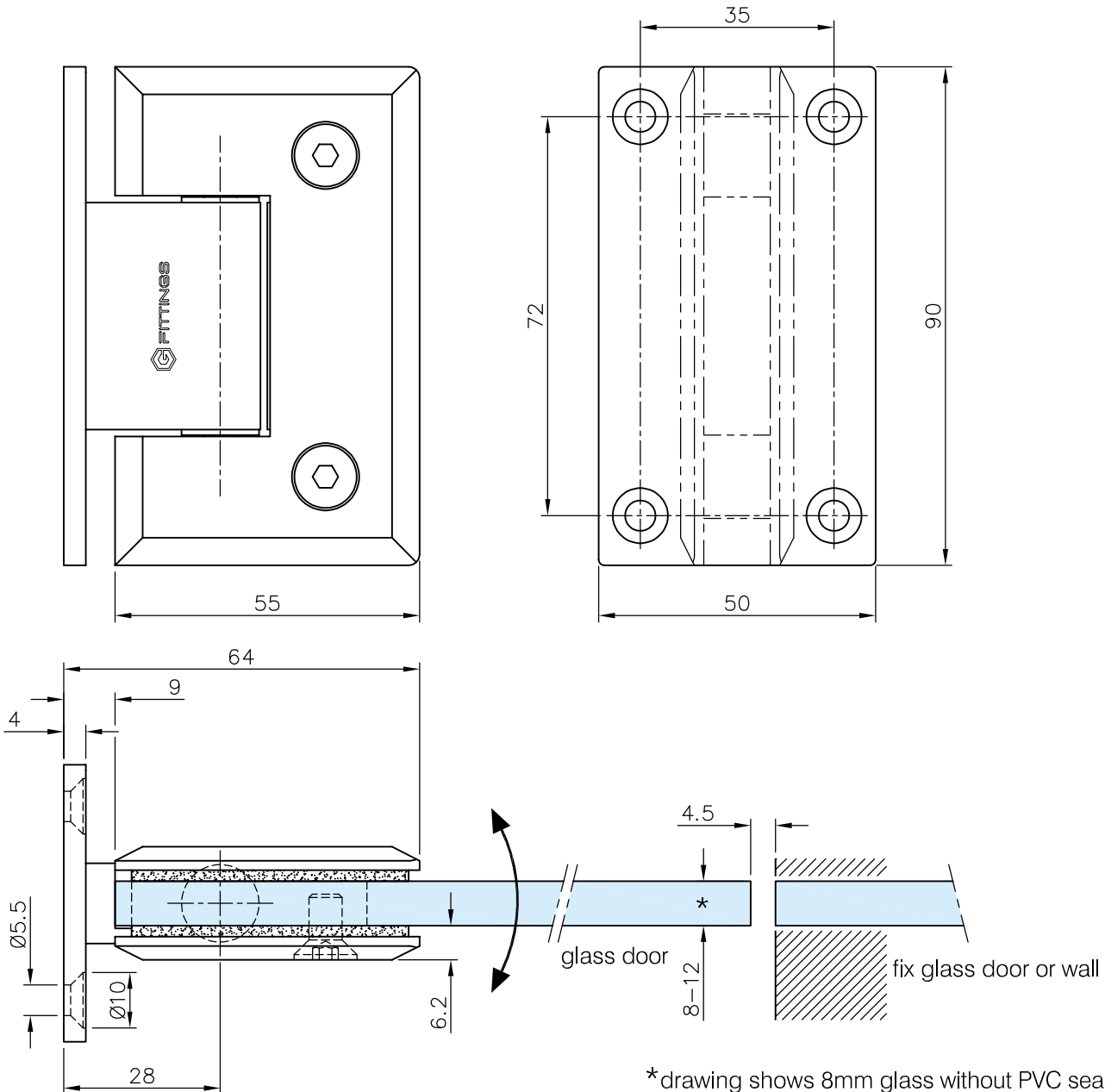


Material: V2A  
Material: Stainless steel AISI 304

Gewicht: / Weight: 0,6 kg

Oberflächen: Edelstahl-Design  
Finish: Stainless steel design

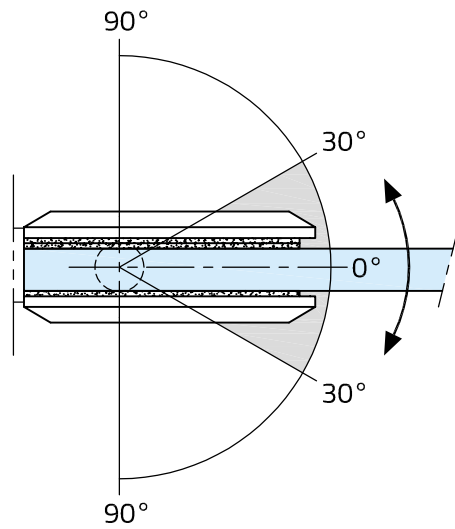
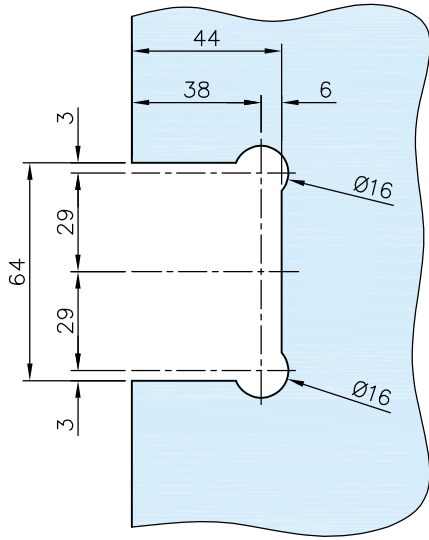
Chrom-Design  
Chrome design



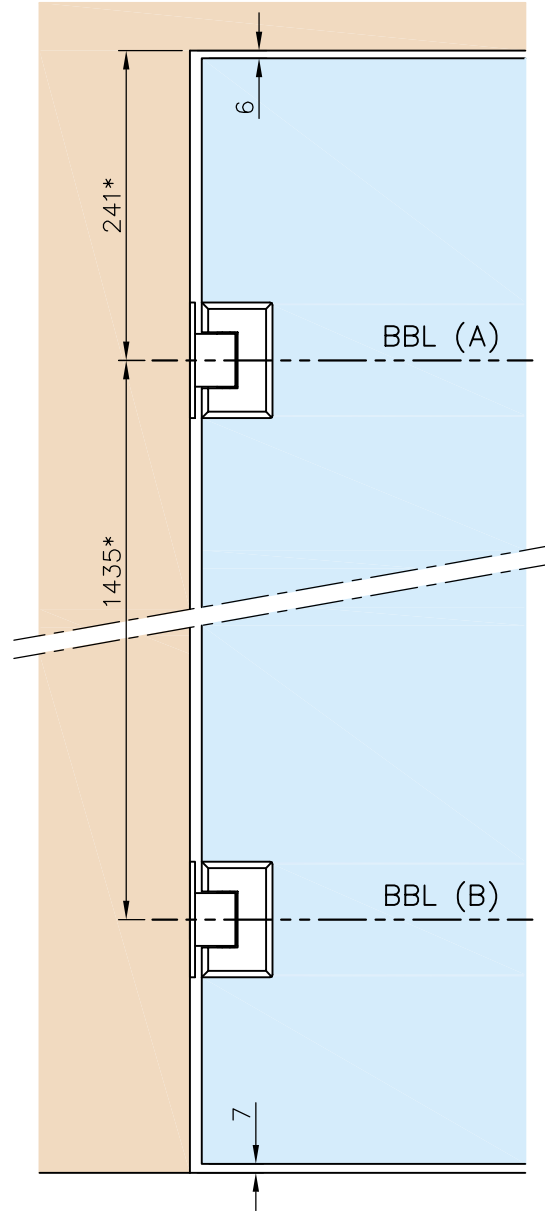
\*drawing shows 8mm glass without PVC seals

Art. 77413012090-10  
Art. 77413012090-12

**Glasbearbeitung:**  
Glass preparation:



automatic closing action from 30°

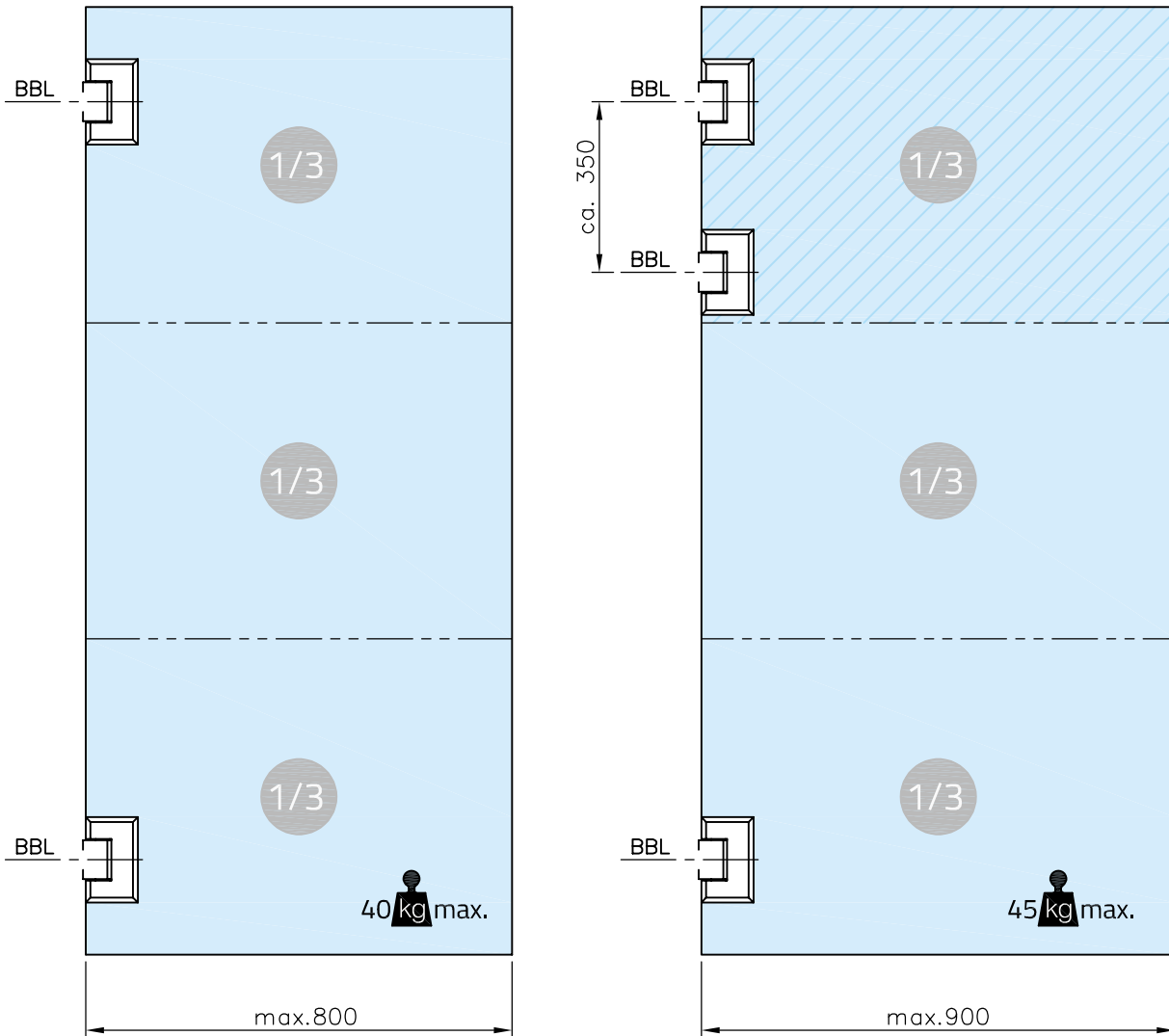


**Empfehlungsmaße entsprechend \*DIN 18268**  
Recommended dimensions according to \*DIN 18268

<i>Glastürhöhe</i> <i>Glass door height</i>	<i>Abstand</i> <i>Zargenfalz - BBL(A)</i> <i>distance</i> <i>frame rebate - BBL(A)</i>	<i>Abstand</i> <i>BBL(A) - BBL(B)</i> <i>distance</i> <i>BBL(A) - BBL(B)</i>
1860 mm - 2110 mm	241 +1 mm	1435 mm ±0,5 mm
2111 mm - 2235 mm	241 +1 mm	1560 mm ±0,5 mm
2236 mm - 2360 mm	241 +1 mm	1685 mm ±0,5 mm

Art. 77413012090-10  
Art. 77413012090-12

Breite/Ausladung:  
Width/extension:



**G-FITTINGS GmbH**

Marie-Curie-Straße 16-18  
46446 Emmerich am Rhein  
T +49 (0)2822 962 0  
F +49 (0)2822 962 221  
E sales@g-fittings.com