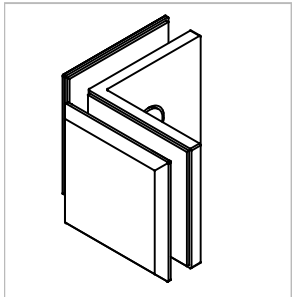


Technische Daten:
Winkerverbinder 90° - NAILA

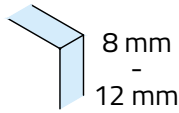
Datasheet:
Corner clamp 90° - NAILA

Art. 40.4012.090.10
Art. 40.4012.090.12
Art. 40.4012.090.26

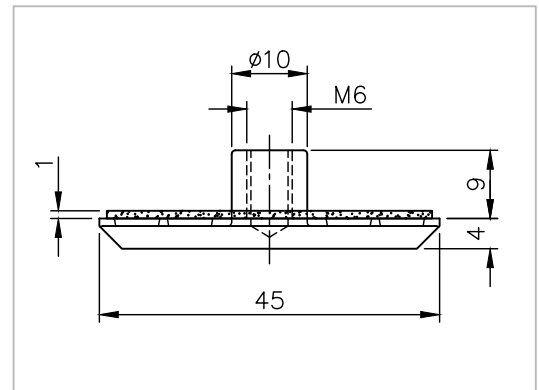
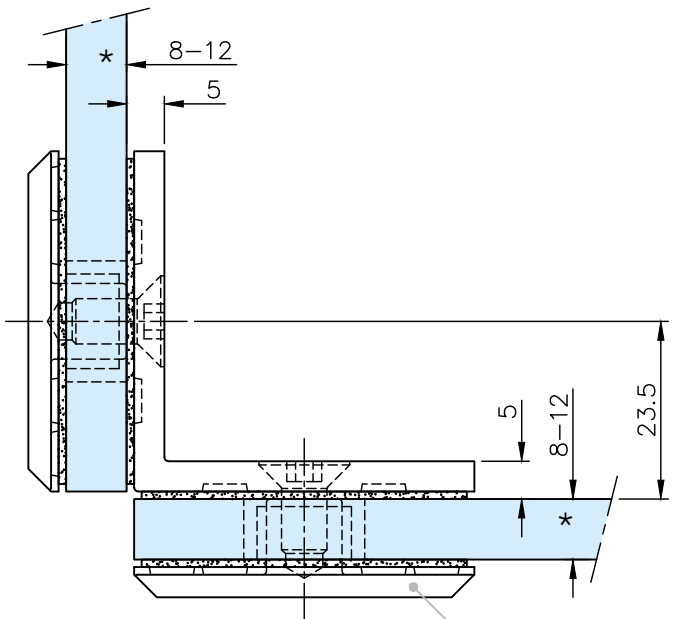
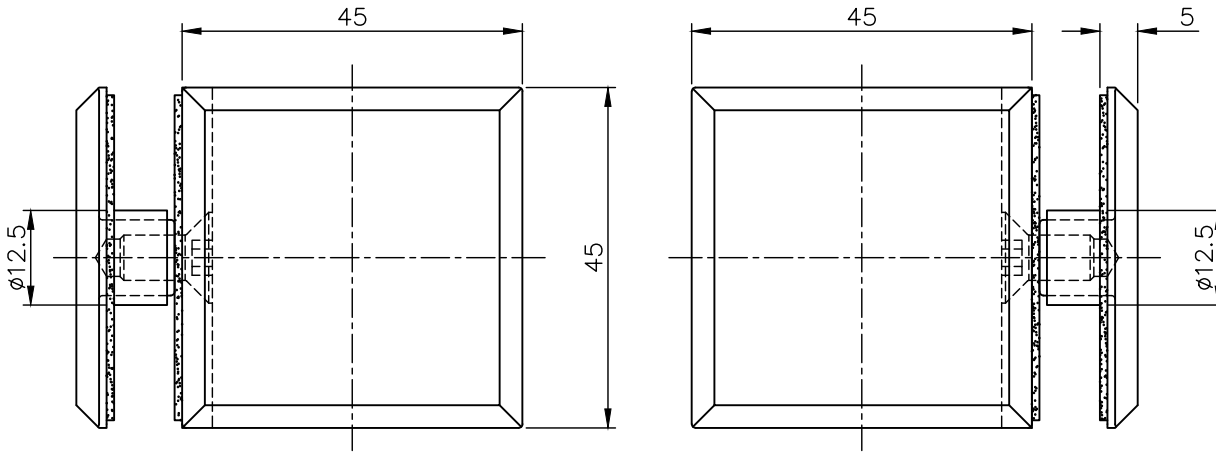
Stand 06.2022



Ausführung:
Options:

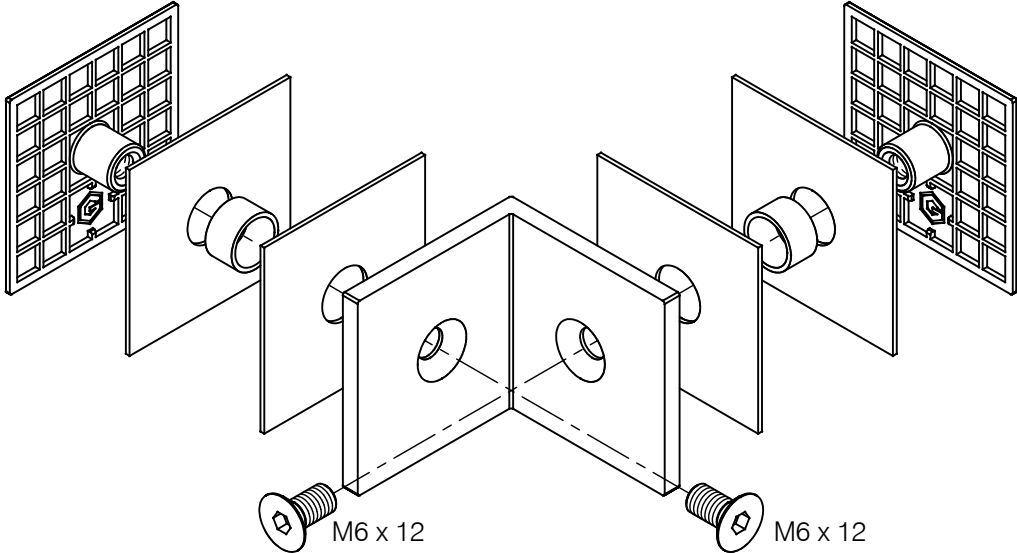


| | | | | |
|--------------|--------------------------|----------------------------|-------------------|--|
| Material: | V2A | Gewicht: / Weight: 0,25 kg | | |
| Material: | Stainless steel AISI 304 | | | |
| Oberflächen: | Edelstahl-Design | Chrom-Design | Anthrazit-Design | |
| Finish: | Stainless steel design | Chrome design | Anthracite design | |

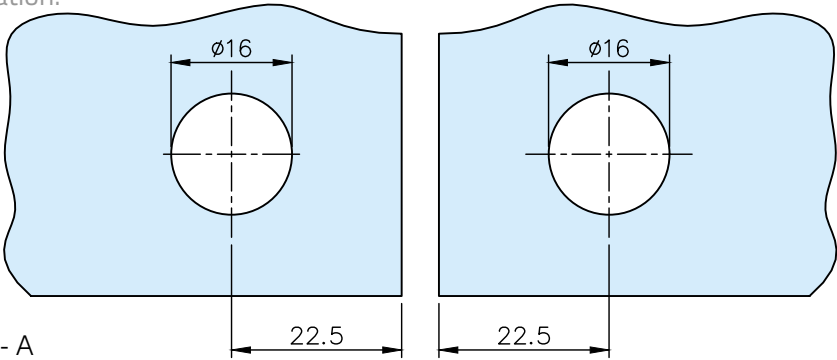


* drawing shows 8mm glass

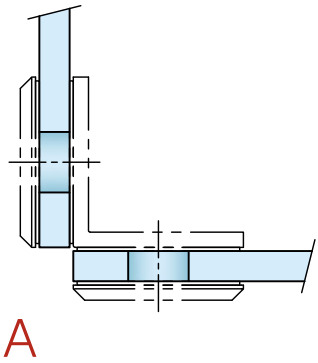
Art. 40.4012.090.10
 Art. 40.4012.090.12
 Art. 40.4012.090.26



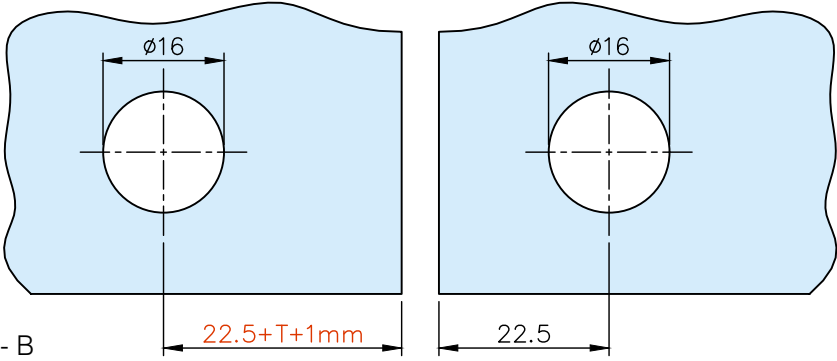
Glasbearbeitung:
 Glass preparation:



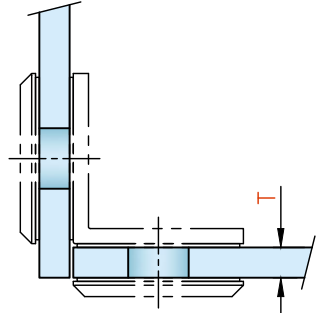
glass cutout - A



A



glass cutout - B



B