

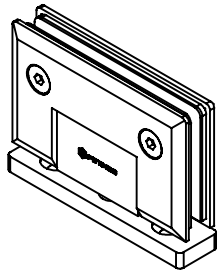
Technische Daten:  
Glastürscharnier - JELSE

Datasheet:  
Glass door hinge - JELSE

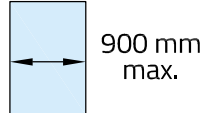
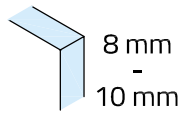
Art. 77416512000-10

Art. 77416512000-12

Art. 77416512000-26



Ausführung:  
Options:



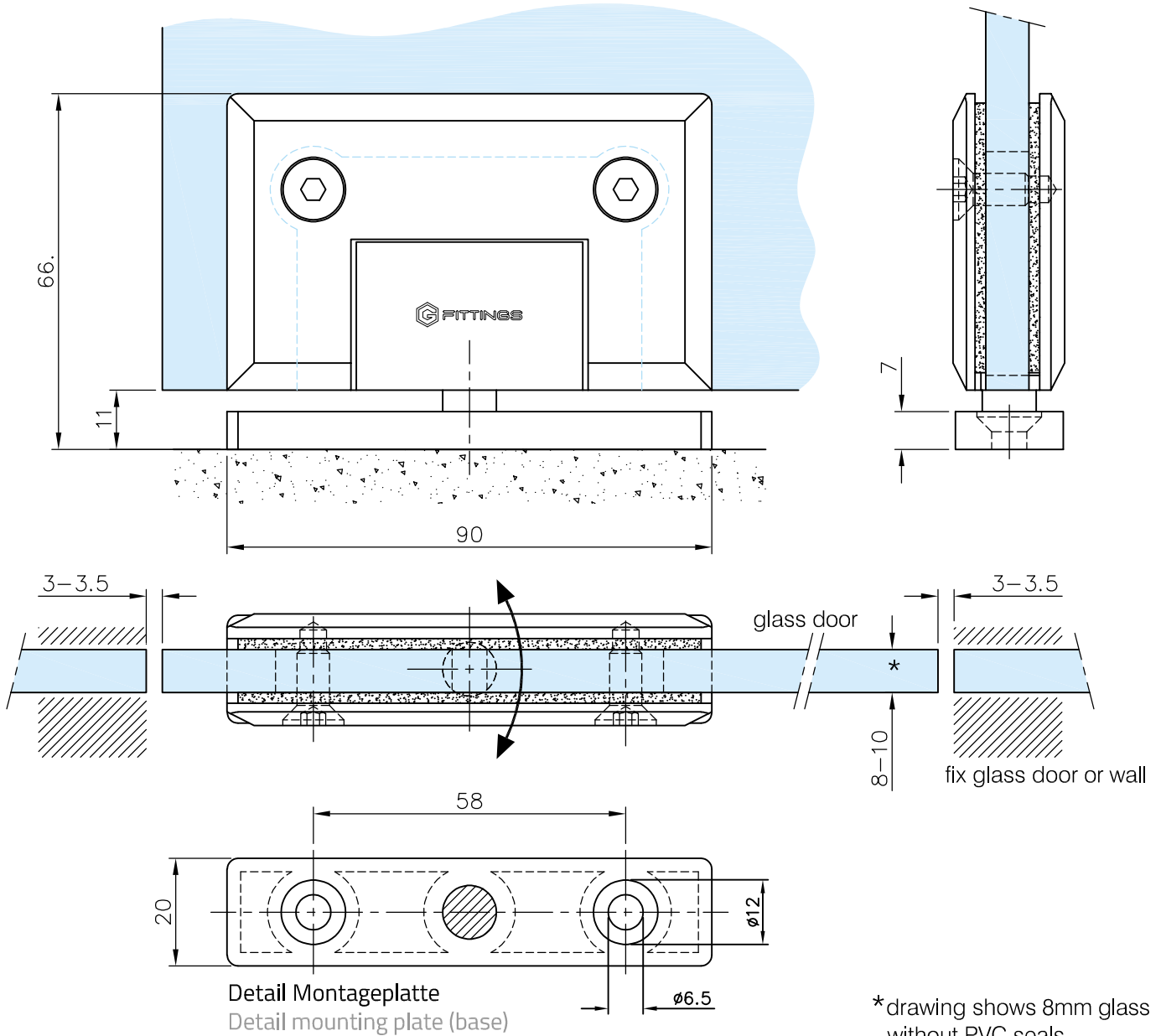
Material: V2A  
Material: Stainless steel AISI 304

Gewicht: / Weight: 0,550 kg

Oberflächen:  
Finish: Edelstahl-Design  
Stainless steel design

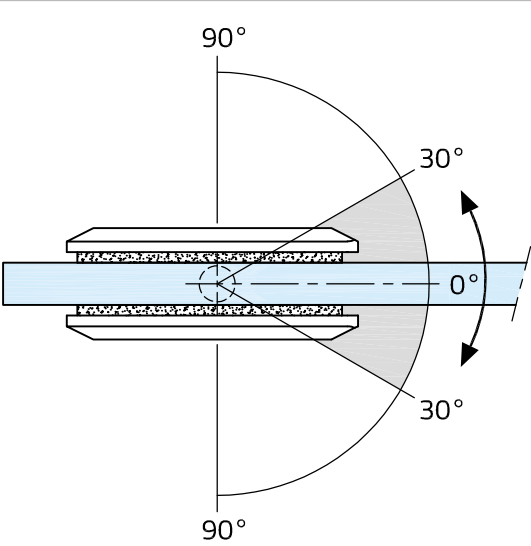
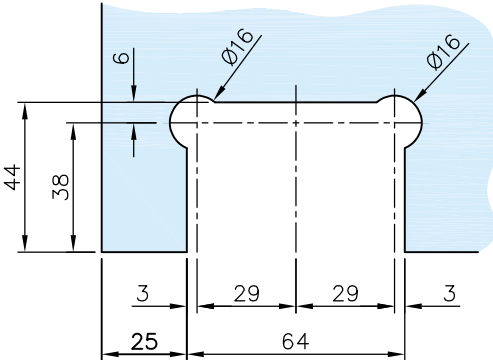
Chrom-Design  
Chrome design

Anthrazit-Design  
Anthracite design

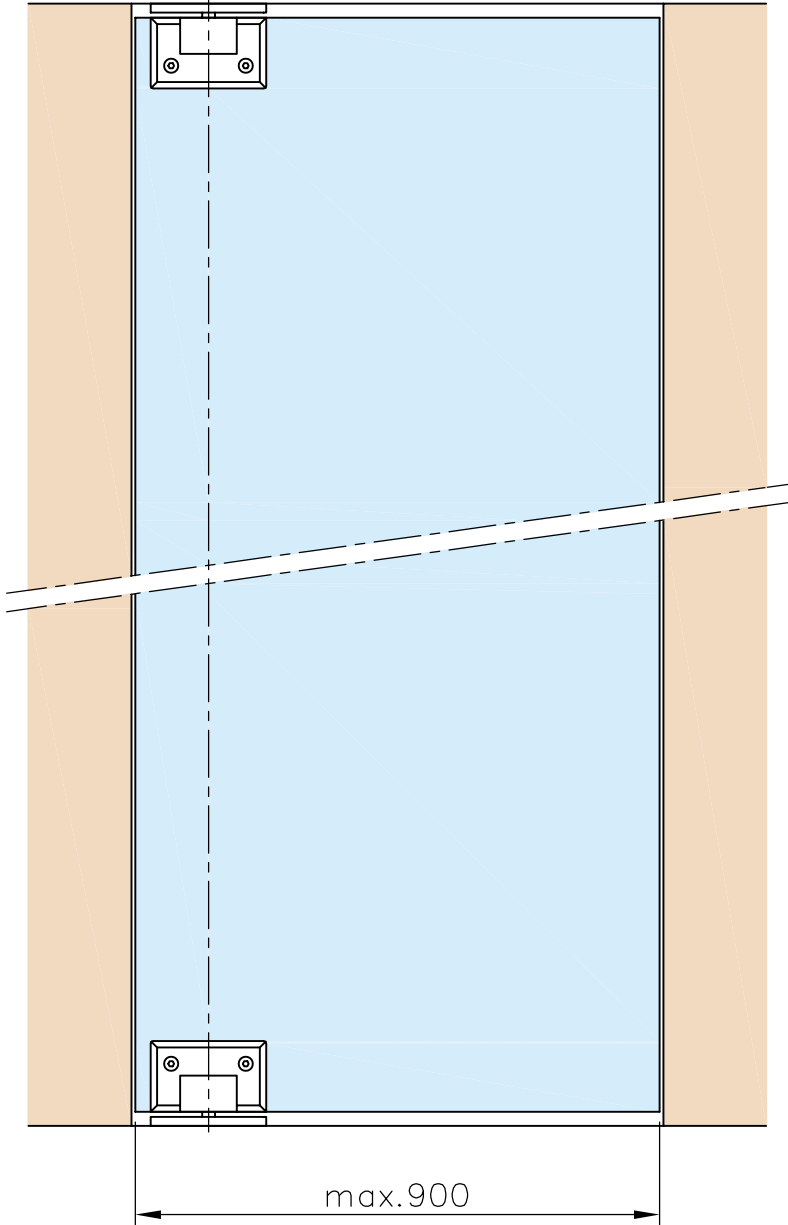


Art. 77416512000-10  
 Art. 77416512000-12  
 Art. 77416512000-26

**Glasbearbeitung:**  
 Glass preparation:



automatic closing action from 30°



**G-FITTINGS GmbH**

Marie-Curie-Straße 16-18  
 46446 Emmerich am Rhein  
 T +49 (0)2822 962 0  
 F +49 (0)2822 962 221  
 E sales@g-fittings.com