

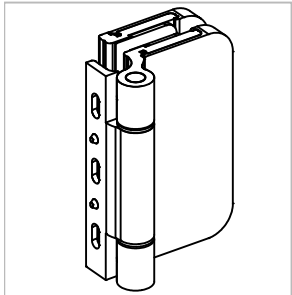
Technische Daten:  
 Glastürscharnier - abgerundet , justierbar - WILMA

Datasheet:  
 Glass door hinge - rounded, adjustable - WILMA

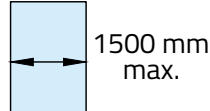
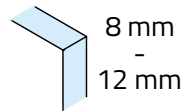
Art. 77452246000-20

Art. 77452246000-26

Art. 77452246000-46



Ausführung:  
 Options:



Material:  
 Material: Aluminium  
 aluminium

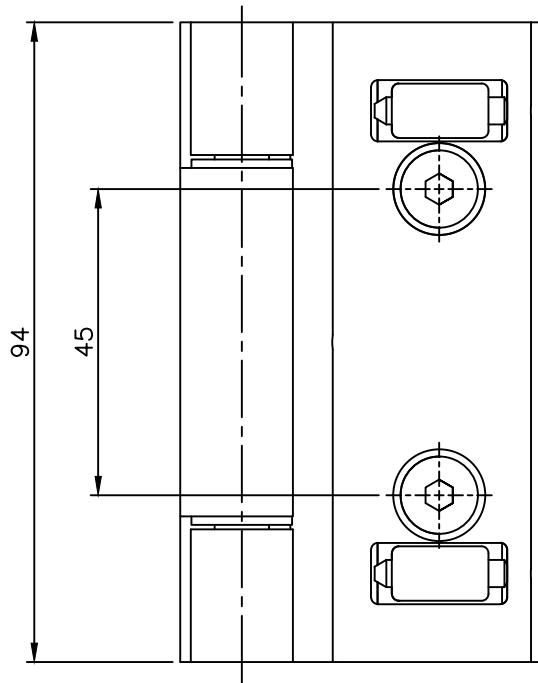
Gewicht: / Weight: 0,25 kg

Oberflächen:  
 Finish: Edelstahl-Design  
 Stainless steel design

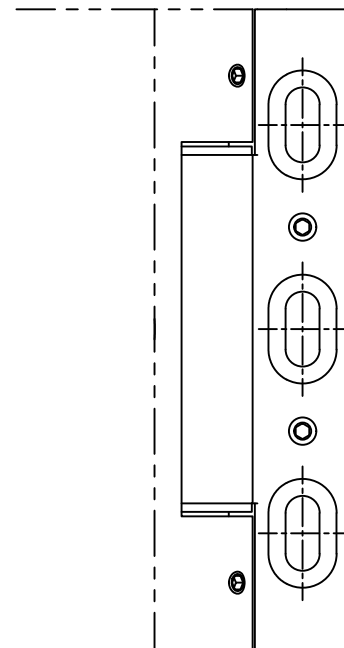
Anthrazit-Design  
 Anthracite design

Silber matt eloxiert  
 silver matt anodized

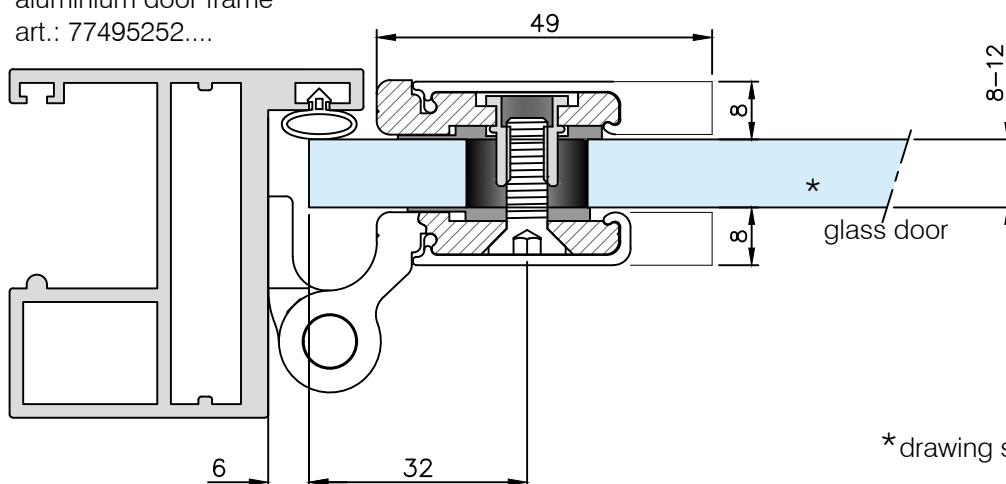
\*hinge without cover cap



hinge flap (on frame or wall)



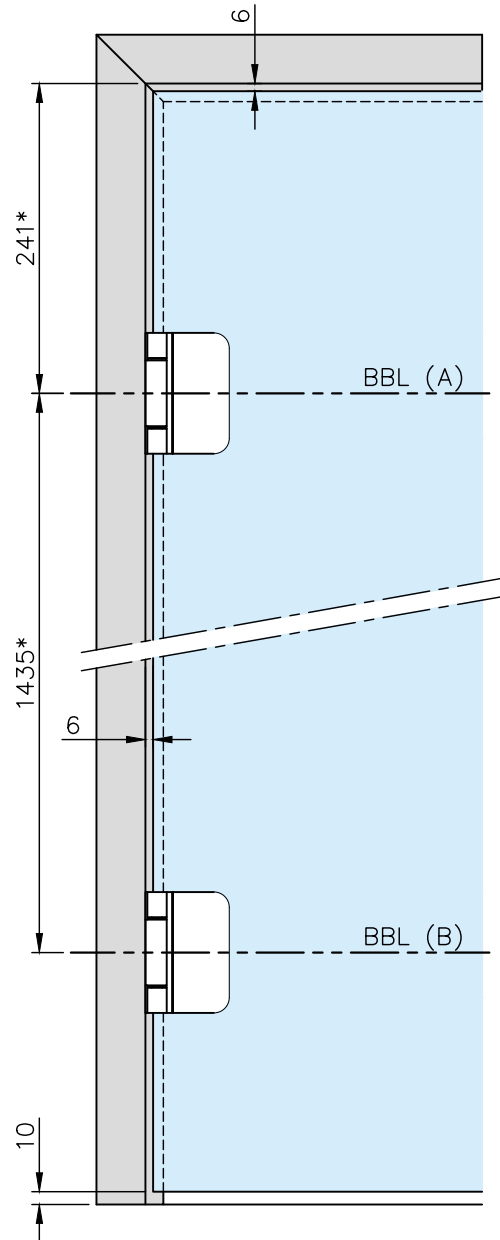
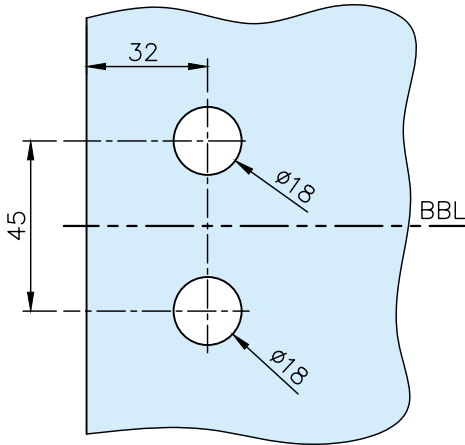
aluminium door frame  
 art.: 77495252....



\* drawing shows 10 mm glass

Art. 77452246000-20  
 Art. 77452246000-26  
 Art. 77452246000-46

Glasbearbeitung:  
 Glass preparation:

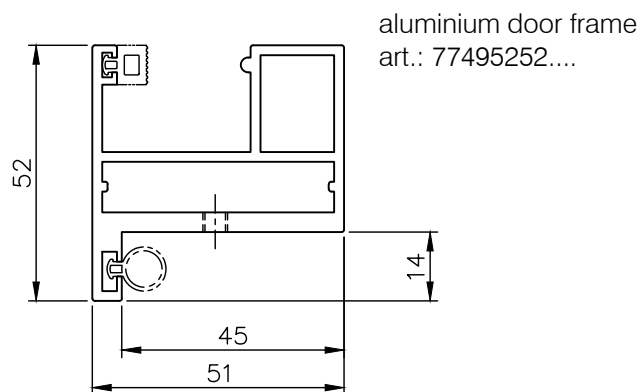
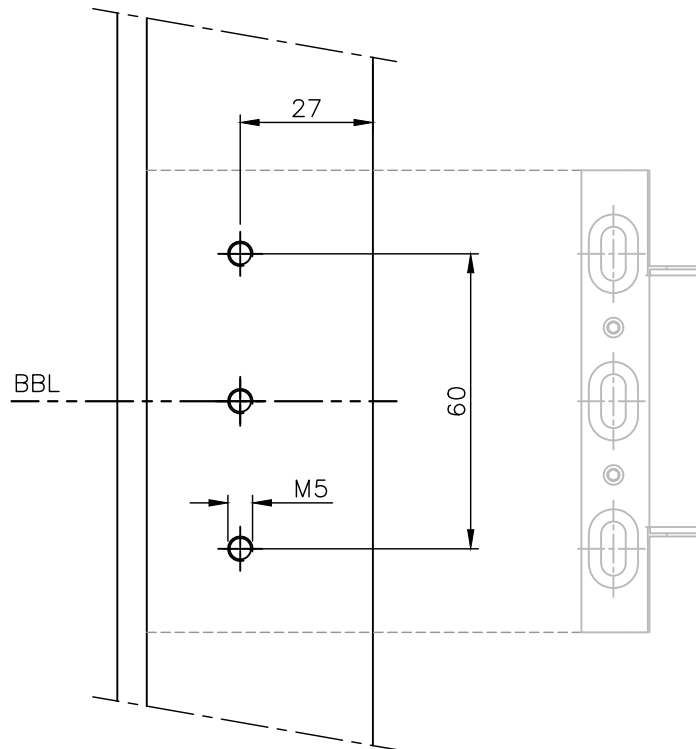
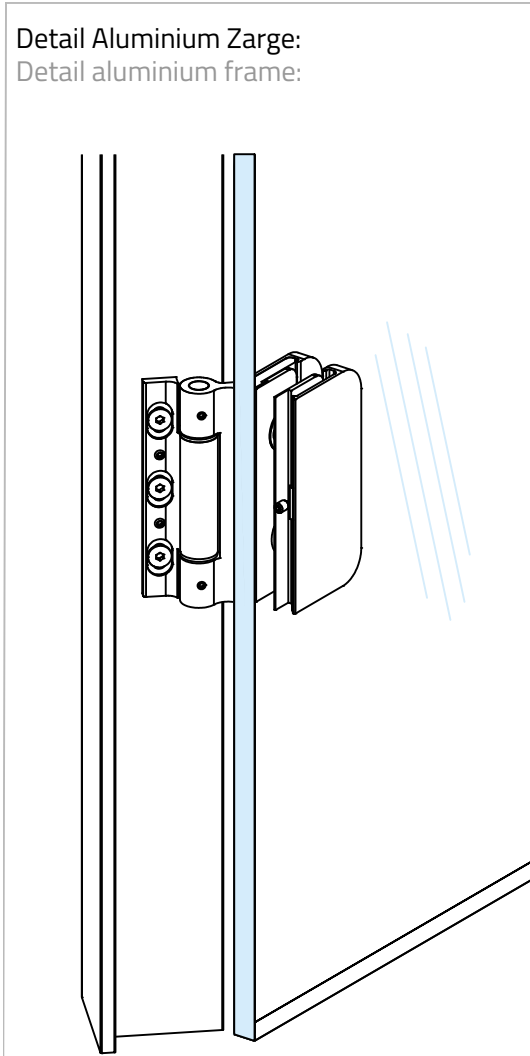


Empfehlungsmaße entsprechend \*DIN 18268

<i>Glastürhöhe</i> Glass door height	<i>Abstand</i> Zargenfalz - BBL(A) distance frame rebate - BBL(A)	<i>Abstand</i> BBL(A) - BBL(B) distance BBL(A) - BBL(B)
1860 mm - 2110 mm	241 +1 mm	1435 mm ±0,5 mm
2111 mm - 2235 mm	241 +1 mm	1560 mm ±0,5 mm
2236 mm - 2360 mm	241 +1 mm	1685 mm ±0,5 mm

Art. 77452246000-20  
 Art. 77452246000-26  
 Art. 77452246000-46

Detail Aluminium Zarge:  
 Detail aluminium frame:



**G-FITTINGS GmbH**

Marie-Curie-Straße 16-18  
 46446 Emmerich am Rhein  
 T +49 (0)2822 962 0  
 E sales@g-fittings.com