

# Glass plate profile 4200

Testing conducted by/at:  
G-Fittings GmbH  
Marie-Curie-Straße 16-18  
46446 Emmerich am Rhein  
Germany

## Contents

1. Introduction.....	3
2. Test arrangement.....	4
3. Materials.....	4
4. Arrangement of test assembly.....	5
5. Impact test EN-12600:.....	6
6. Test results Impact test: .....	7
7. Pictures Impact test:.....	8
8. Line Load test.....	12
9. Test results Line Load test: .....	13
10. Pictures Line Load test:.....	14

## 1. Introduction

This report describes tests conducted at the test site of G-Fittings GmbH on Glass plate profile from G-Fittings catalogue, assembled as shown in this report.

The tests were done according to one or more of the following standards:

	Country	Standards
1	United Kingdom	
2	Netherlands	
3	Germany	
4	Italy	
5	Spain	
6	Poland	
7	Denmark	
8	Austria	
9	Belgium	
10	France	
11	Portugal	
12	Norway	

**Muss noch geprüft werden für welche Länder !**

## 2. Test arrangement

Various barrier specimens were mounted on to a steel / rigid concrete structure with a test rig from steel with sufficient strength to withstand loads applied to it.

For each test, load was applied to the center of the glass at a fixed room height.

Load was measured with a load cell.

Digital clocks were used to measure the deflection of the barrier from its neutral position.

## 3. Materials

<u>Hardware Description</u>	<u>art. number</u>
a) Glass plate profile	40.4210.000.19
b) Glass plate profile	40.4212.000.19
c) Glass plate profile	40.4218.000.19
d) Glass plate profile	40.4218.000.19

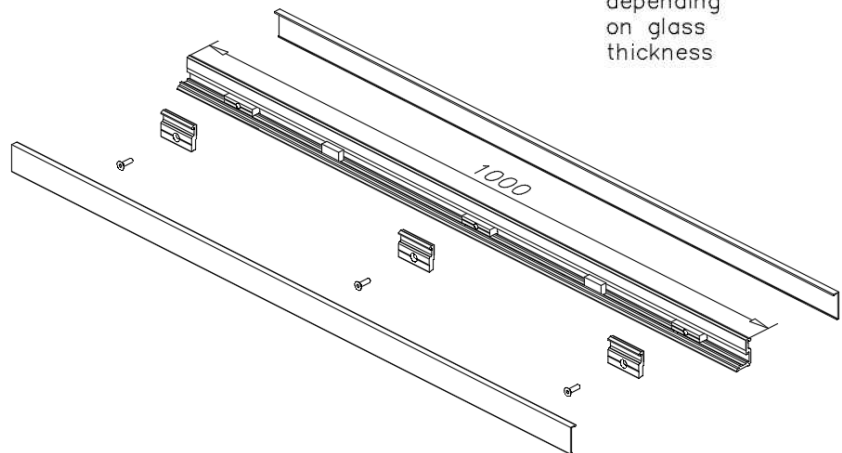
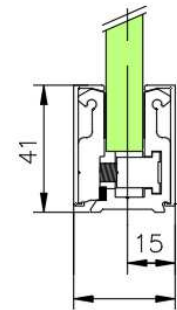
### Glass description

- a) 10,76mm laminated safety glass (ESG-PVB-ESG) 5-0,76-5
- b) 12,76mm laminated safety glass (ESG-PVB-ESG) 6-0,76-6
- c) 16,76mm laminated safety glass (ESG-PVB-ESG) 8-0,76-8
- d) 17,52mm laminated safety glass (ESG-PVB-ESG) 8-1,52-8

#### 4. Arrangement of test assembly



Glass Dimension  
2700mm x 1000 mm

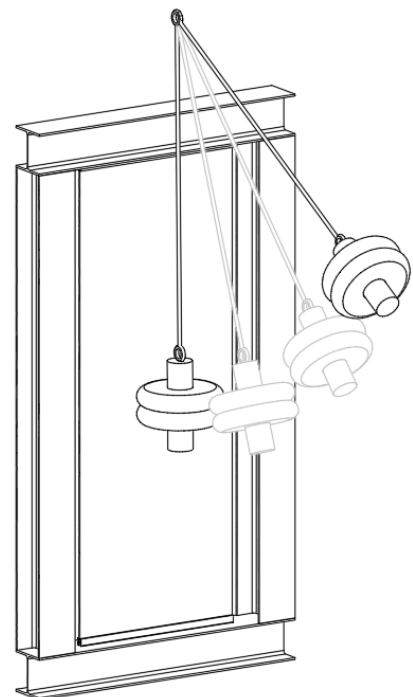
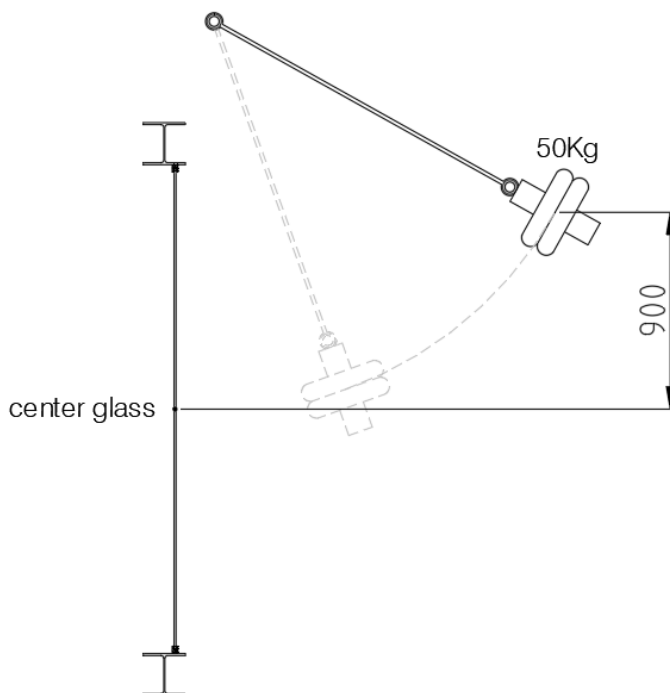


## 5. Impact test EN-12600:

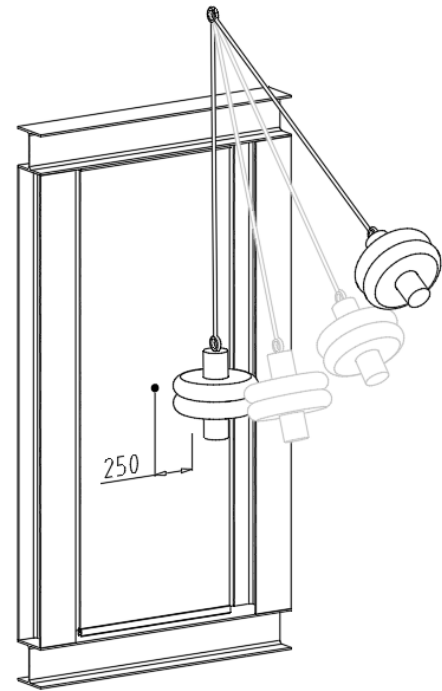
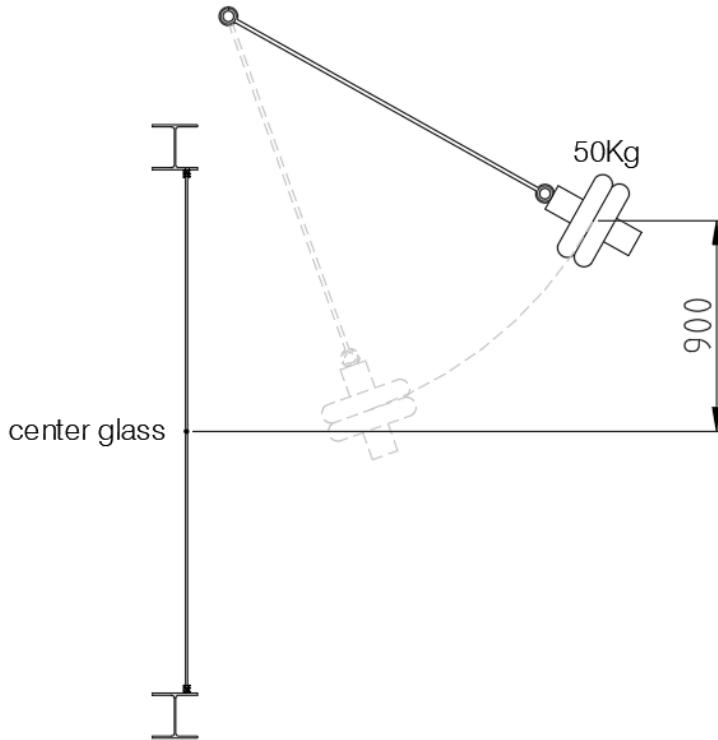
The Impact test with an Impactor having the mass of 50Kg was executed on the glass:

- with the EN-12600 body at a fall height of 900mm

Test 1. (Centre glass / Centre glass)



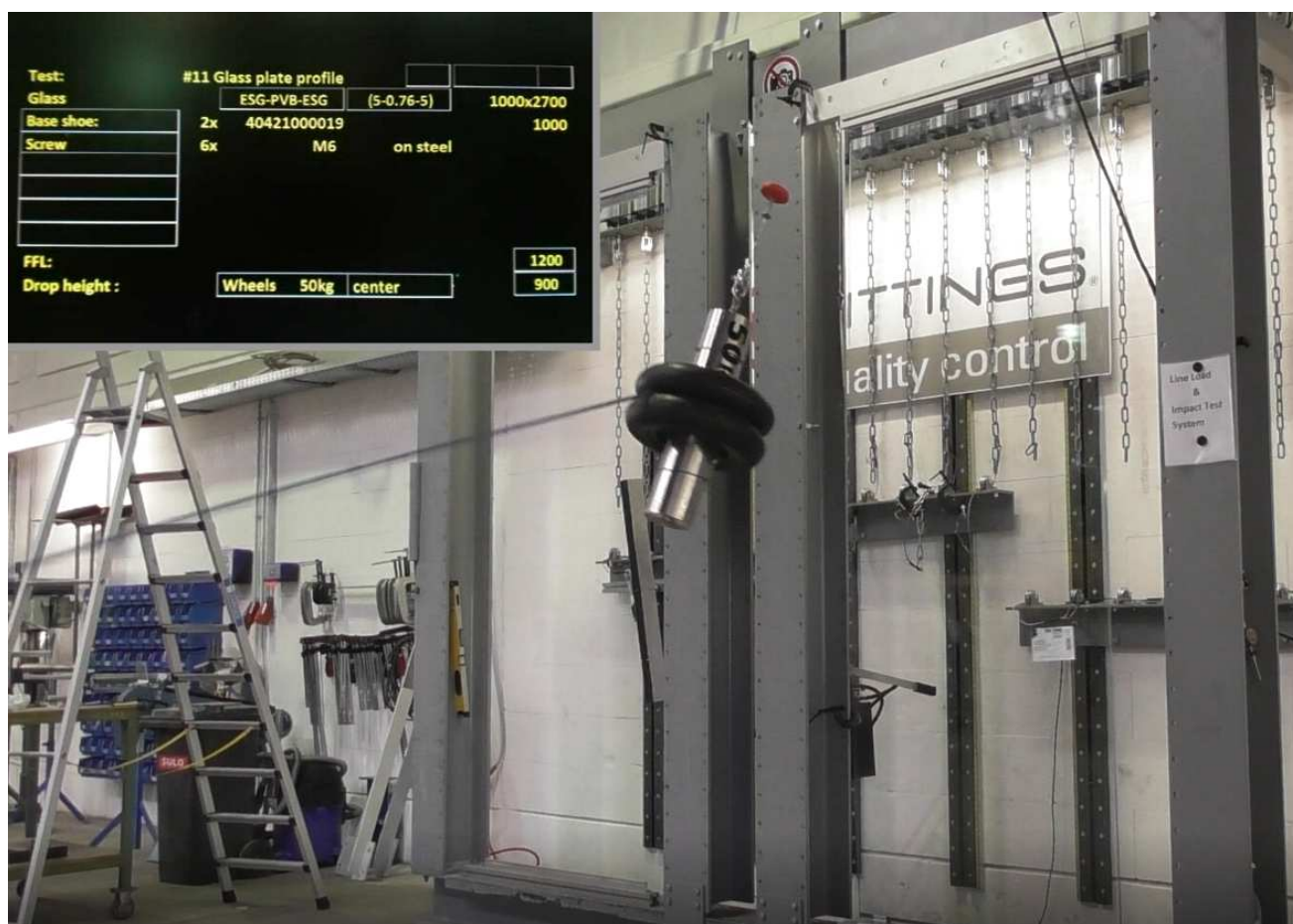
## Test 2. (Centre glass / 250mm from Centre glass)



## 6. Test results Impact test:

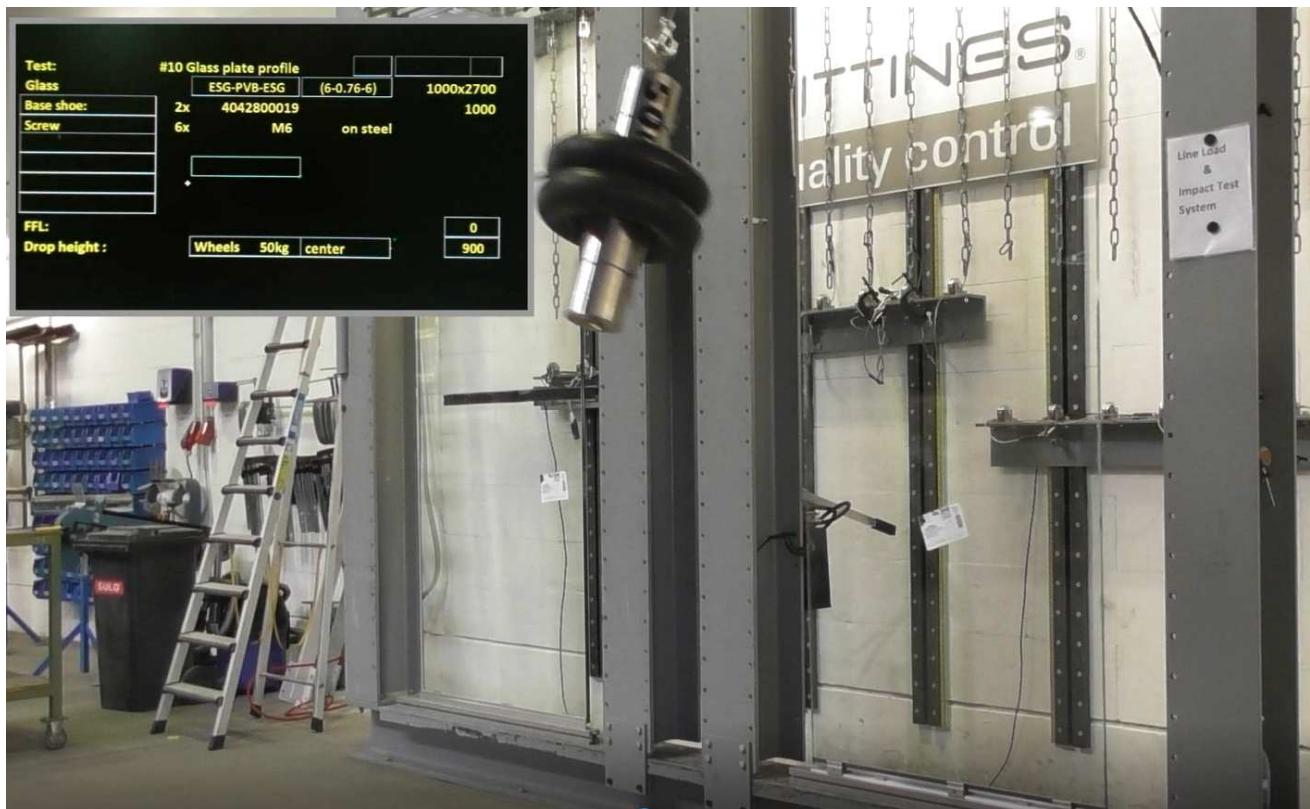
Impact test	Glass mm. t	Glass Dimension mm. W x H	System Width mm.	System height mm.	Impact fall height (900mm)	
					centre / centre	Centre glass / 250mm from centre glass
	(5-0,76-5)	1000 mm x 2700 mm	1000 mm	2740 mm	Passed	Passed
	(6-0,76-6)	1000 mm x 2700 mm	1000 mm	2740 mm	Passed	Passed
	(8-0,76-8)	1000 mm x 2700 mm	1000 mm	2740 mm	Passed	Passed
	(8-1,52-8)	1000 mm x 2700 mm	1000 mm	2740 mm	Passed	Passed

**7. Pictures Impact test:**

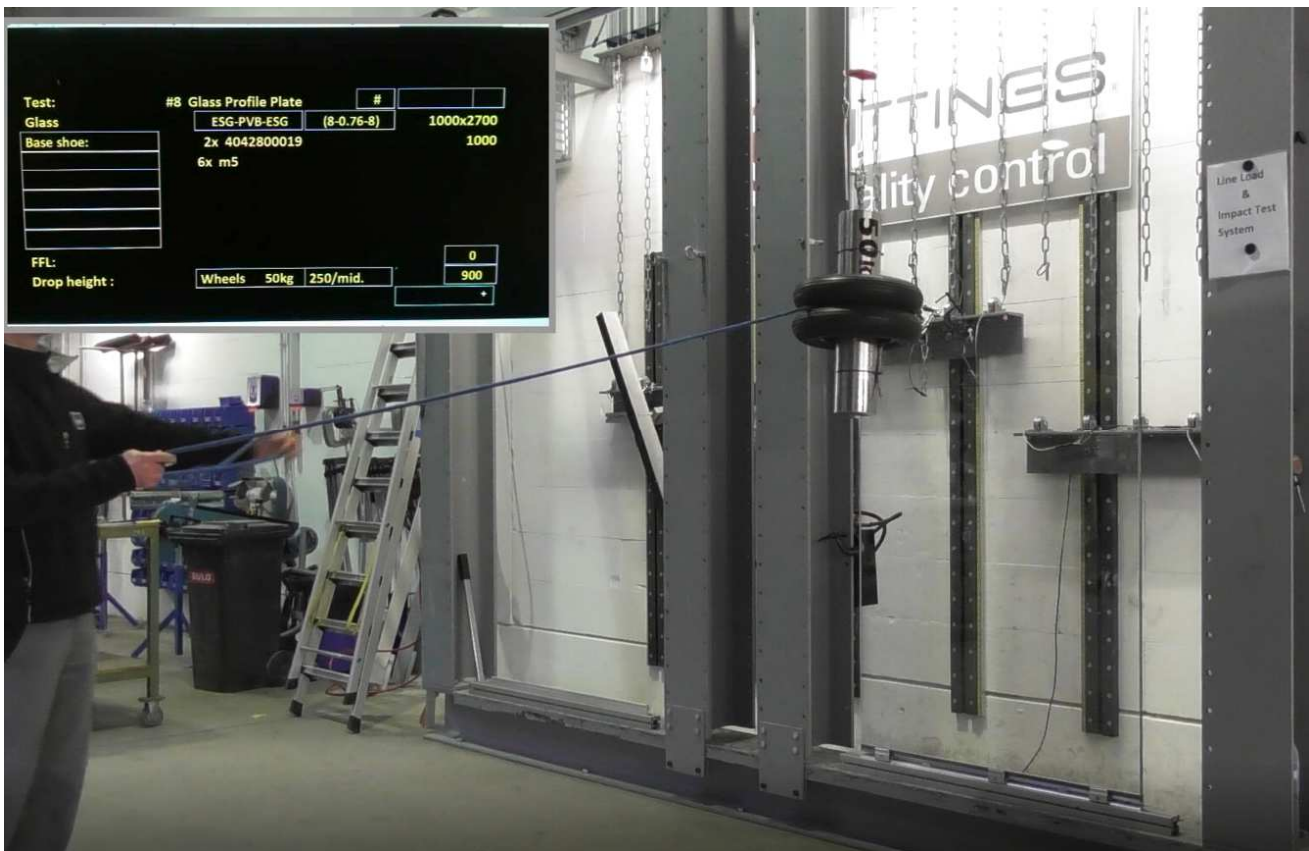


Impact test with glass 10,76 mm (5-0,76-5)

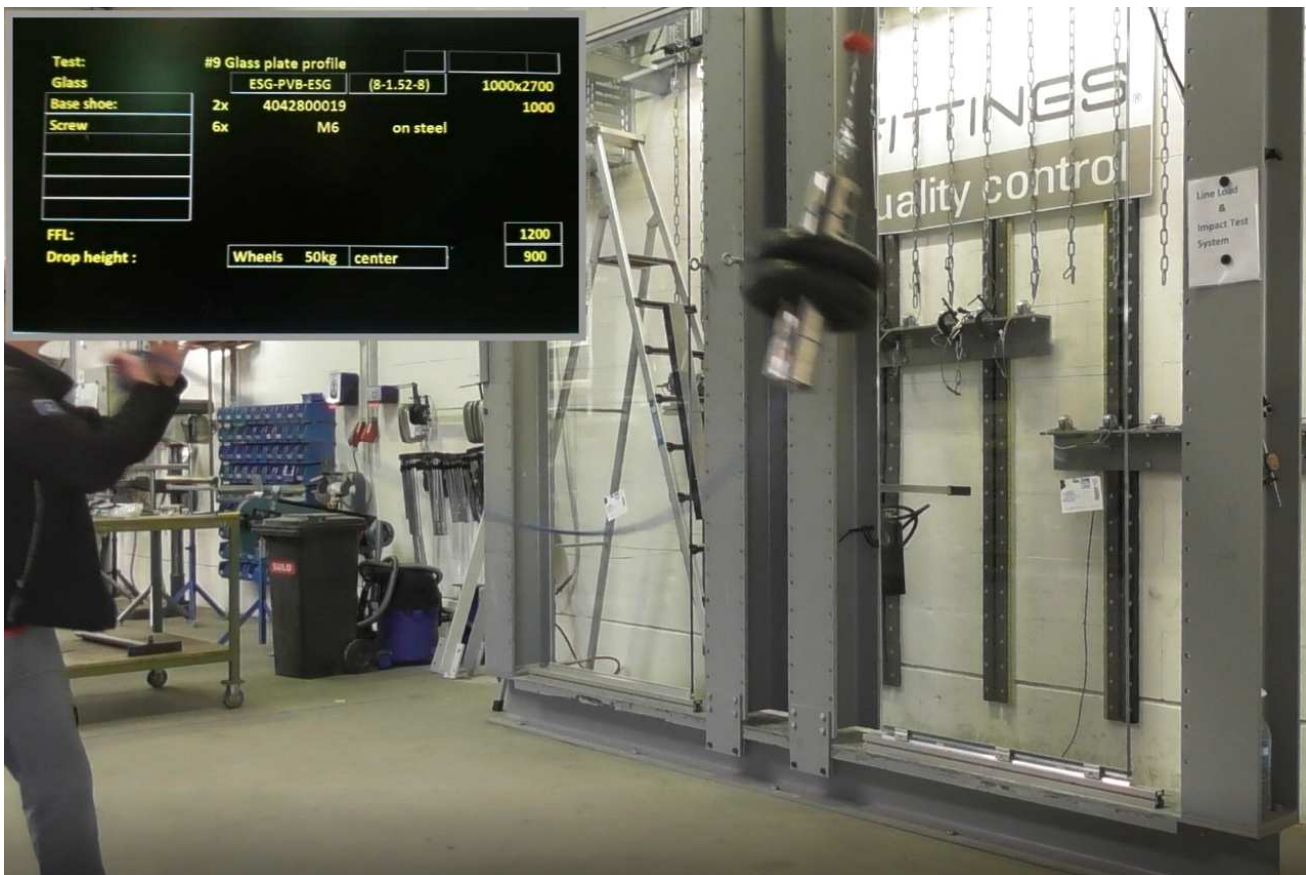




Impact test with glass 16,76 mm (6-0,76-6)



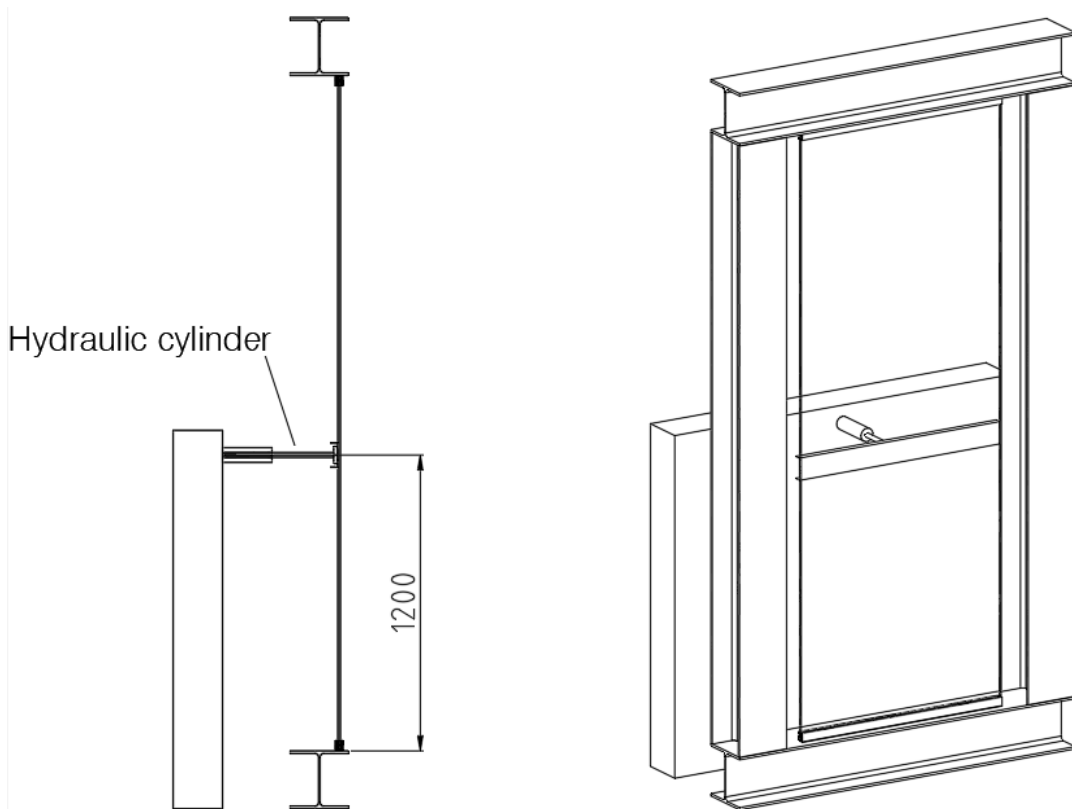
Impact test with glass 16,76 mm (8-0,76-8)



Impact test with glass 17,52 mm (8-1,52-8)

## 8. Line Load test

The loading was applied to the glass on a height of 1200mm above finished floor level and the deflection was measured at the same height.



## 9. Test results Line Load test:

Line Load test	Glass mm. t.	Glass Dimension mm. W x H	System Width mm.	System height mm.	0,36	0,40	0,50	0,60	0,74	0,80	1,00	1,50	1,60	1,70	2,00	3,00	remarks
					kN/m	kN/m	kN/m	kN/m	kN/m	kN/m	kN/m	kN/m	kN/m	kN/m	kN/m		
	deflection (mm)																
	(5-0,76-5)	1000 mm x 2700 mm	1000 mm	2740 mm	21,11	23,54	28,95	33,48	41,25	44,61	55,67	83,65	92,60	99,55	>100		
	(6-0,76-6)	1000 mm x 2700 mm	1000 mm	2740 mm	14,72	16,45	21,02	25,12	30,66	33,03	40,02	57,87	62,18	65,98	76,93	>100	
	(8-0,76-8)	1000 mm x 2700 mm	1000 mm	2740 mm	6,30	7,20	8,95	10,99	13,79	14,84	18,60	28,63	29,74	31,61	37,05	54,93	
	(8-1,52-8)	1000 mm x 2700 mm	1000 mm	2740 mm	6,06	6,90	8,77	10,62	13,20	14,53	18,49	26,75	28,92	30,81	36,32	53,07	



## 10. Pictures Line Load test:



Line Load test with glass (5-0,76-5)



Line Load test with glass (6-0,76-6)



Line Load test with glass (8-0,76-8)





Line Load test with glass (8-1,52-8)

---

 **GOOD LUCK WITH YOUR INSTALLATION!**

---

**VIEL ERFOLG MIT IHRER MONTAGE!**

---

**SUCCES MET DE INSTALLATIE!**

---