

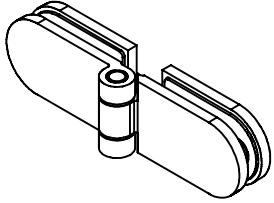
Technische Daten:
Glastürscharnier - Kirstin

Datasheet:
Glass door hinge - Kirstin

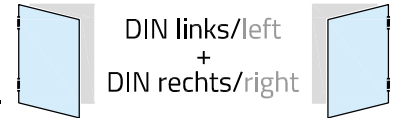
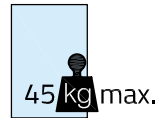
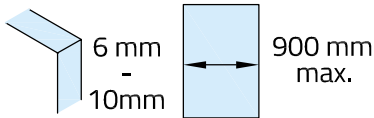
Art. 77410405000-10

Art. 77410405000-12

Art. 77410405000-26



Ausführung:
Options:



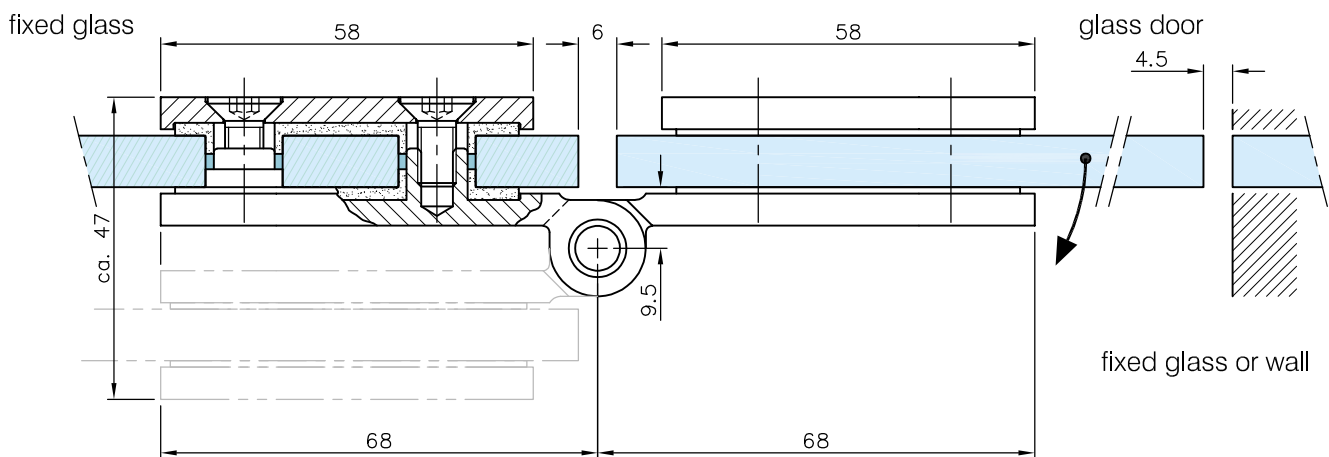
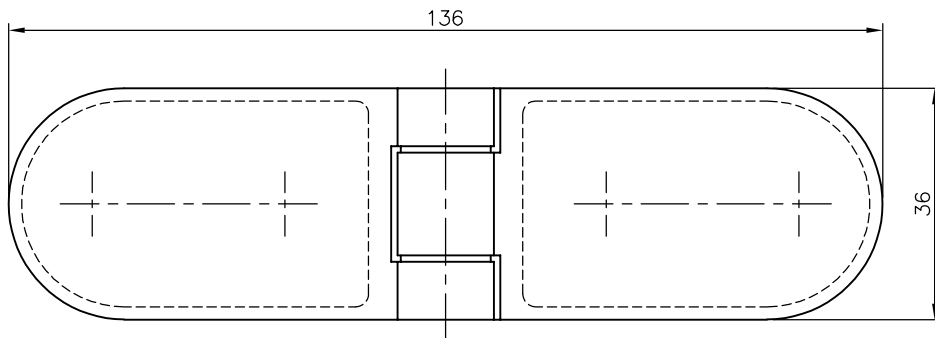
Material: V2A
Material: Stainless steel AISI 304

Gewicht: / Weight: 0,375 kg

Oberflächen:
Finish: Edelstahl-Design
Stainless steel design

Chrom-Design
Chrome design

Anthrazit-Design
Anthracite design



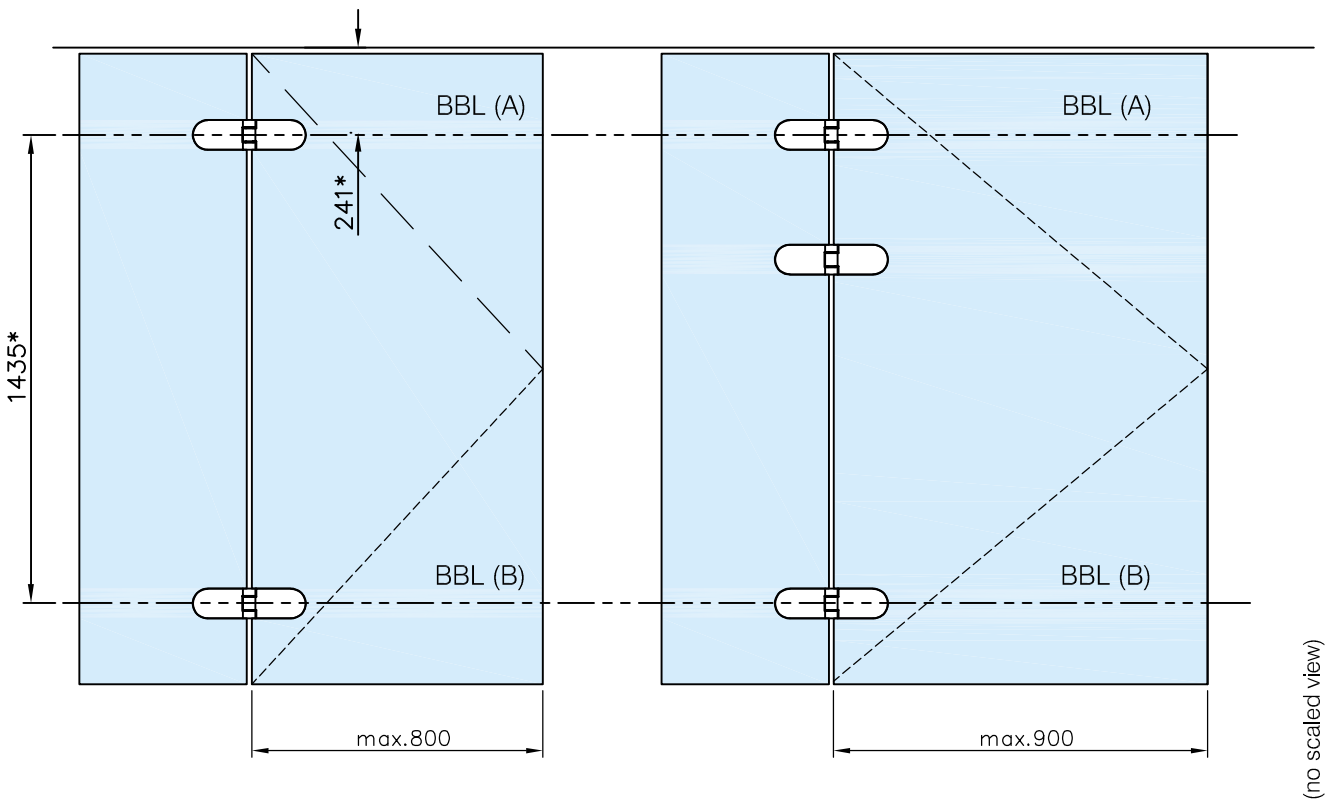
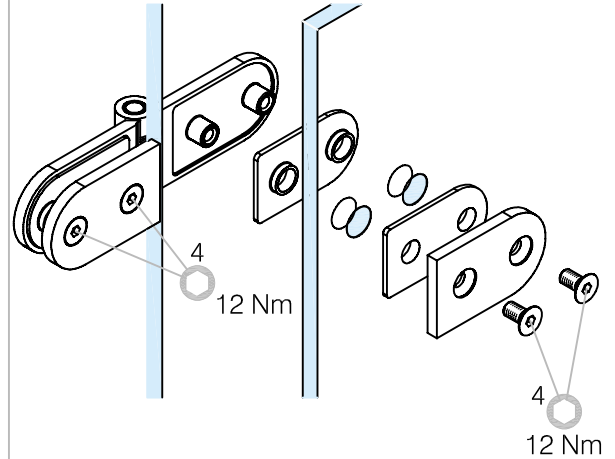
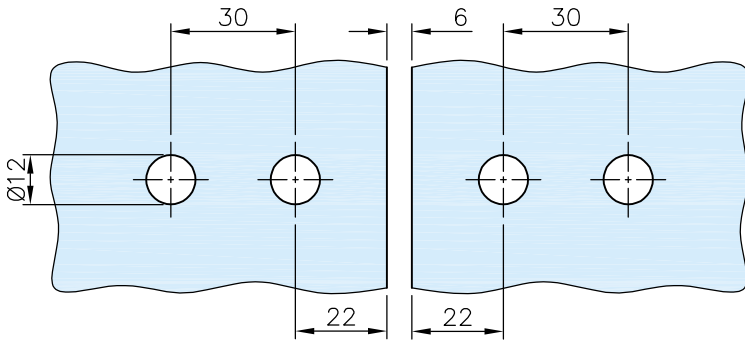
*drawing shows
6mm glass

G-FITTINGS GmbH

Marie-Curie-Straße 16-18
46446 Emmerich am Rhein
T +49 (0)2822 962 0
F +49 (0)2822 962 221
E sales@g-fittings.com

Art. 77410405000-10
 Art. 77410405000-12
 Art. 77410405000-26

Glasbearbeitung:
 Glass preparation:



(no scaled view)

Empfehlungsmaße entsprechend *DIN 18268
 Recommended dimensions according to *DIN 18268

| Glastürhöhe Glass door height | Abstand Zargenfalz - BBL(A) distance frame rebate - BBL(A) | Abstand BBL(A) - BBL(B) distance BBL(A) - BBL(B) |
|----------------------------------|---|---|
| 1860 mm - 2110 mm | 241 +1 mm | 1435 mm ±0,5 mm |
| 2111 mm - 2235 mm | 241 +1 mm | 1560 mm ±0,5 mm |
| 2236 mm - 2360 mm | 241 +1 mm | 1685 mm ±0,5 mm |

G-FITTINGS GmbH

Marie-Curie-Straße 16-18
 46446 Emmerich am Rhein
 T +49 (0)2822 962 0
 F +49 (0)2822 962 221
 E sales@g-fittings.com